

Arria 10 FPGA Development Kit User Guide



Subscribe



Send Feedback

UG-20007
2021.03.19

101 Innovation Drive
San Jose, CA 95134
www.altera.com

ALTERA
now part of Intel

Contents

Arria 10 FPGA Development Kit Overview.....	1-1
General Description.....	1-2
Recommended Operating Conditions.....	1-4
Handling the Board.....	1-4
Getting Started.....	2-1
Installing the Subscription Edition Software.....	2-1
Activating Your License.....	2-1
Development Kit Package.....	2-2
Installing the USB-Blaster Driver.....	2-3
Development Board Setup.....	3-1
Applying Power to the Board.....	3-1
Default Switch and Jumper Settings.....	3-2
Default Switch and Resistor Settings.....	3-6
Factory Reset.....	3-10
Board Test System.....	4-1
Preparing the Board.....	4-3
Running the Board Test System.....	4-3
Version Selector.....	4-4
Using the Board Test System.....	4-6
Using the Configure Menu.....	4-6
The System Info Tab.....	4-7
The GPIO Tab.....	4-9
The Flash Tab.....	4-11
The XCVR Tab.....	4-13
The PCIe Tab.....	4-17
The FMC A Tab.....	4-20
The FMC B Tab.....	4-24
The DDR3 Tab.....	4-28
The DDR4 Tab.....	4-30
The Power Monitor.....	4-32
The Clock Control.....	4-34
Board Update Portal.....	5-1
Connecting to the Board Update Portal Web Page.....	5-2
Using the Board Update Portal to Update User Designs.....	5-3

Board Components.....	6-1
Board Overview.....	6-1
MAX V CPLD System Controller.....	6-6
FPGA Configuration.....	6-15
Configuring the FPGA Using Programmer.....	6-15
Status Elements.....	6-16
User Input/Output.....	6-17
User-Defined Push Buttons.....	6-17
User-Defined DIP Switch.....	6-17
User-Defined LEDs.....	6-18
Character LCD.....	6-19
DisplayPort.....	6-20
SDI Video Input/Output Ports.....	6-21
Clock Circuitry.....	6-23
On-Board Oscillators.....	6-23
Off-Board Clock I/O.....	6-25
Components and Interfaces.....	6-26
PCI Express.....	6-26
10/100/1000 Ethernet PHY.....	6-30
HiLo External Memory Interface.....	6-32
FMC.....	6-39
QSFP.....	6-51
SFP+.....	6-53
I ² C.....	6-54
Memory.....	6-56
Flash.....	6-56
Programming the Flash Using Quartus Programmer.....	6-59
Board Power Supply.....	6-60
Power Distribution System.....	6-61
Power Measurement.....	6-62
Daughterboards.....	6-63
External Memory Interface.....	6-64
Additional Information.....	A-1
User Guide Revision History.....	A-1
Compliance and Conformity Statements.....	A-2
CE EMI Conformity Caution.....	A-2

Arria 10 FPGA Development Kit Overview

1

2021.03.19

UG-20007



Subscribe



Send Feedback

The Arria® 10 GX FPGA development board provides a hardware platform for evaluating the performance and features of the Intel® Arria 10 GX device.

Intel Corporation. All rights reserved. Intel, the Intel logo, Altera, Arria, Cyclone, Enpirion, MAX, Nios, Quartus and Stratix words and logos are trademarks of Intel Corporation or its subsidiaries in the U.S. and/or other countries. Intel warrants performance of its FPGA and semiconductor products to current specifications in accordance with Intel's standard warranty, but reserves the right to make changes to any products and services at any time without notice. Intel assumes no responsibility or liability arising out of the application or use of any information, product, or service described herein except as expressly agreed to in writing by Intel. Intel customers are advised to obtain the latest version of device specifications before relying on any published information and before placing orders for products or services.

*Other names and brands may be claimed as the property of others.

ISO
9001:2015
Registered

General Description

Figure 1-1: Arria 10 GX Block Diagram

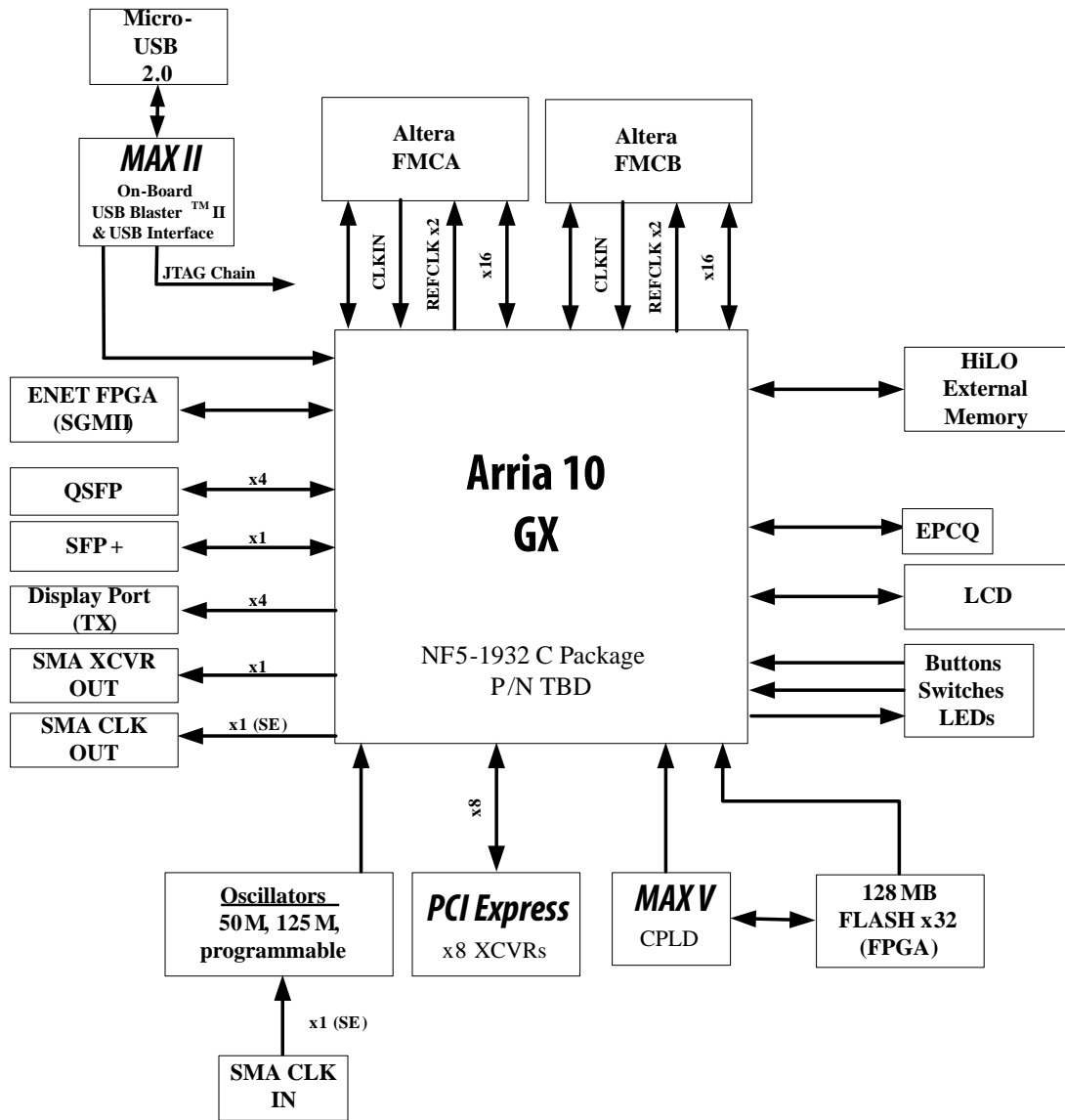


Figure 1-2: Overview of the Development Board Features (ES Edition)

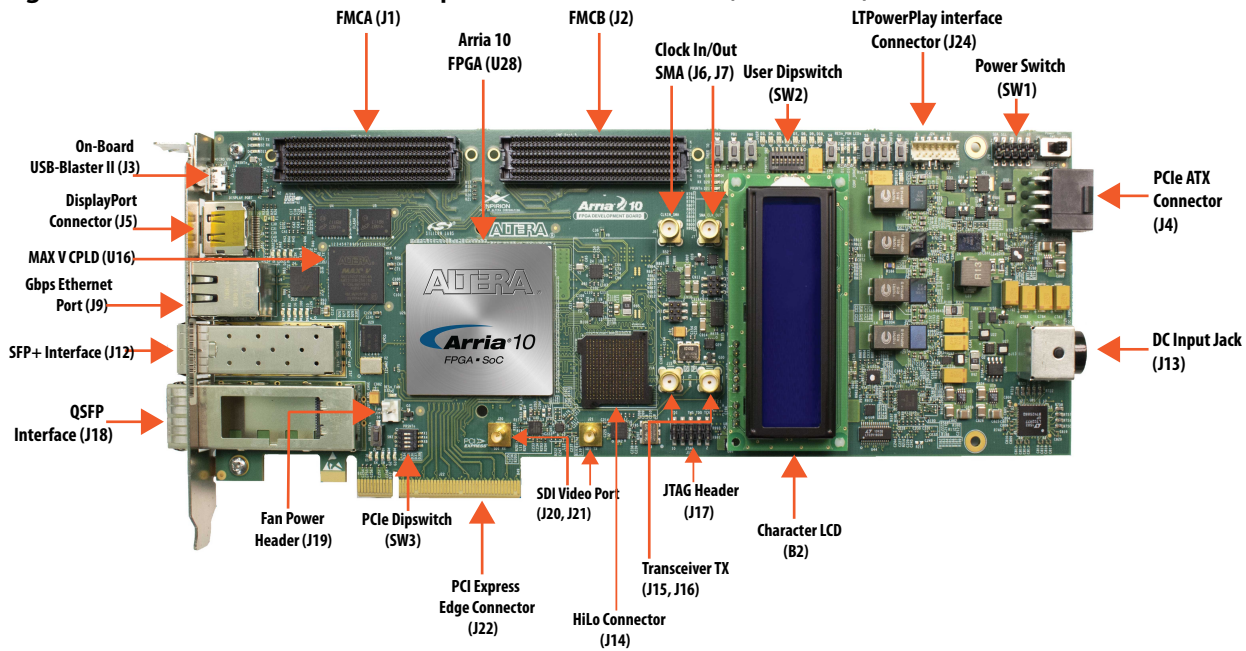
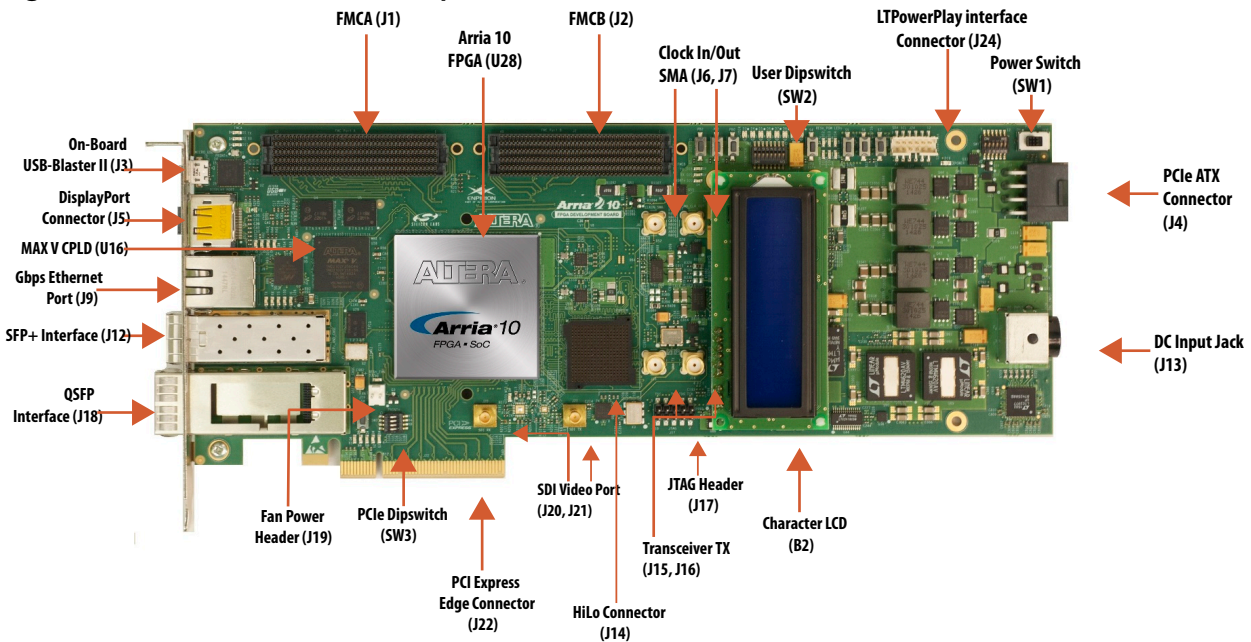


Figure 1-3: Overview of the Development Board Features



Related Information

[Board Components](#) on page 6-1

For details on the board components.

Recommended Operating Conditions

- Recommended ambient operating temperature range: 0C to 45C
- Maximum ICC load current: 80A
- Maximum ICC load transient percentage: 35%
- FPGA maximum power supported by the supplied heatsink/fan: 100W

Handling the Board

When handling the board, it is important to observe static discharge precautions.

Caution: Without proper anti-static handling, the board can be damaged. Therefore, use anti-static handling precautions when touching the board.

Caution: This development kit should not be operated in a Vibration Environment.

2021.03.19

UG-20007



Subscribe



Send Feedback

Installing the Subscription Edition Software

The Quartus Prime Standard Edition software provides the necessary tools used for developing hardware and software for Altera devices.

Included in the Quartus Prime Standard Edition software are the Quartus Prime software, the Nios II[®] EDS, and the MegaCore IP Library. To install the Altera development tools, download the Quartus Prime Standard Edition software from the Quartus Prime Standard Edition software page of the Altera website.

Related Information

[Quartus Prime Software Page](#)

Activating Your License

Purchasing this kit entitles you to a one-year license for the Development Kit Edition (DKE) of the Quartus Prime software. After the year, your DKE license will no longer be valid and you will not be permitted to use this version of the Quartus Prime software. To continue using the Quartus Prime software, you should download the free Quartus Prime Lite Edition or purchase a subscription to Quartus Prime Standard or Pro software.

Before using the Quartus Prime software, you must activate your license, identify specific users and computers, and obtain and install a license file. If you already have a licensed version of the subscription edition, you can use that license file with this kit. If not, follow these steps:

1. Log on at the [myAltera Account Sign In](#) web page, and click **Sign In**.
2. On the myAltera Home web page, click the Self-Service Licensing Center link.
3. Locate the serial number printed on the side of the development kit box below the bottom bar code. The number consists of alphanumeric characters and does not contain hyphens.
4. On the Self-Service Licensing Center web page, click the Find it with your License Activation Code link.
5. In the **Find/Activate Products** dialog box, enter your development kit serial number and click **Search**.
6. When your product appears, turn on the check box next to the product name.
7. Click **Activate Selected Products**, and click **Close**.
8. When licensing is complete, Altera emails a `license.dat` file to you. Store the file on your computer and use the License Setup page of the **Options** dialog box in the Quartus Prime software to enable the software.

Intel Corporation. All rights reserved. Intel, the Intel logo, Altera, Arria, Cyclone, Enpirion, MAX, Nios, Quartus and Stratix words and logos are trademarks of Intel Corporation or its subsidiaries in the U.S. and/or other countries. Intel warrants performance of its FPGA and semiconductor products to current specifications in accordance with Intel's standard warranty, but reserves the right to make changes to any products and services at any time without notice. Intel assumes no responsibility or liability arising out of the application or use of any information, product, or service described herein except as expressly agreed to in writing by Intel. Intel customers are advised to obtain the latest version of device specifications before relying on any published information and before placing orders for products or services.

*Other names and brands may be claimed as the property of others.

ISO
9001:2015
Registered

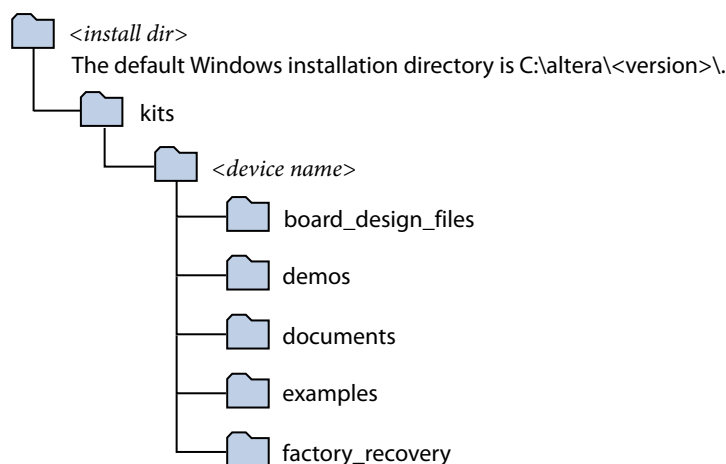
ALTERA
now part of Intel

Related Information

- [Altera Software Installation and Licensing](#)
Comprehensive information for installing and licensing Altera software.
- [myAltera Account Sign In web page](#)

Development Kit Package

1. Download the Arria 10 FPGA Development Kit package zip file available at the Intel website.
2. Extract the contents of the zip file to your hard drive.
The development kit directory structure is shown in the following figure.

Figure 2-1: Installed Development Kit Directory Structure**Table 2-1: Installed Directory Contents**

Directory Name	Description of Contents
board_design_files	Contains schematic, layout, assembly, and bill of material board design files. Use these files as a starting point for a new prototype board design.
demos	Contains demonstration applications when available.
documents	Contains the documentation.
examples	Contains the sample design files for this kit.
factory_recovery	Contains the original data programmed onto the board before shipment. Use this data to restore the board with its original factory contents.

Related Information

[Link to download zip file for the Arria 10 Development Kit Package](#)

Installing the USB-Blaster Driver

The development board includes integrated USB-Blaster circuitry for FPGA programming. However, for the host computer and board to communicate, you must install the On-Board USB-Blaster II driver on the host computer.

Installation instructions for the On-Board USB-Blaster II driver for your operating system are available on the Altera website. On the Altera Programming Cable Driver Information page of the Altera website, locate the table entry for your configuration and click the link to access the instructions.

Related Information

[Altera Programming Cable Driver Information](#)

Click on the link for your operating system.

2021.03.19

UG-20007



Subscribe



Send Feedback

This section describes how to apply power to the board and provides default switch and jumper settings.

Applying Power to the Board

This development kit ships with its board switches preconfigured to support the design examples in the kit.

If you suspect that your board might not be currently configured with the default settings, follow the instructions in the Default Switch and Jumper Settings section of this chapter.

1. The development board ships with design examples stored in the flash memory device. To load the design stored in the factory portion of flash memory, verify SW6.4 is set to ON. This is the default setting.
2. Connect the supplied power supply to an outlet and the DC Power Jack (J13) on the FPGA board.

Caution: Use only the supplied power supply. Power regulation circuitry on the board can be damaged by power supplies with greater voltage.

3. Set the power switch (SW1) to the on position.

When the board powers up, the parallel flash loader (PFL) on the MAX V reads a design from flash memory and configures the FPGA. When the configuration is complete, green LEDs illuminate signaling the device configured successfully. If the configuration fails, the red LED illuminates.

Intel Corporation. All rights reserved. Intel, the Intel logo, Altera, Arria, Cyclone, Enpirion, MAX, Nios, Quartus and Stratix words and logos are trademarks of Intel Corporation or its subsidiaries in the U.S. and/or other countries. Intel warrants performance of its FPGA and semiconductor products to current specifications in accordance with Intel's standard warranty, but reserves the right to make changes to any products and services at any time without notice. Intel assumes no responsibility or liability arising out of the application or use of any information, product, or service described herein except as expressly agreed to in writing by Intel. Intel customers are advised to obtain the latest version of device specifications before relying on any published information and before placing orders for products or services.

*Other names and brands may be claimed as the property of others.

ISO
9001:2015
Registered

ALTERA
now part of Intel

Default Switch and Jumper Settings

This topic shows you how to restore the default factory settings and explains their functions.

Caution: Do not install or remove jumpers (shunts) while the development board is powered on.

Figure 3-1: Default Switch and Jumper Settings on the Top

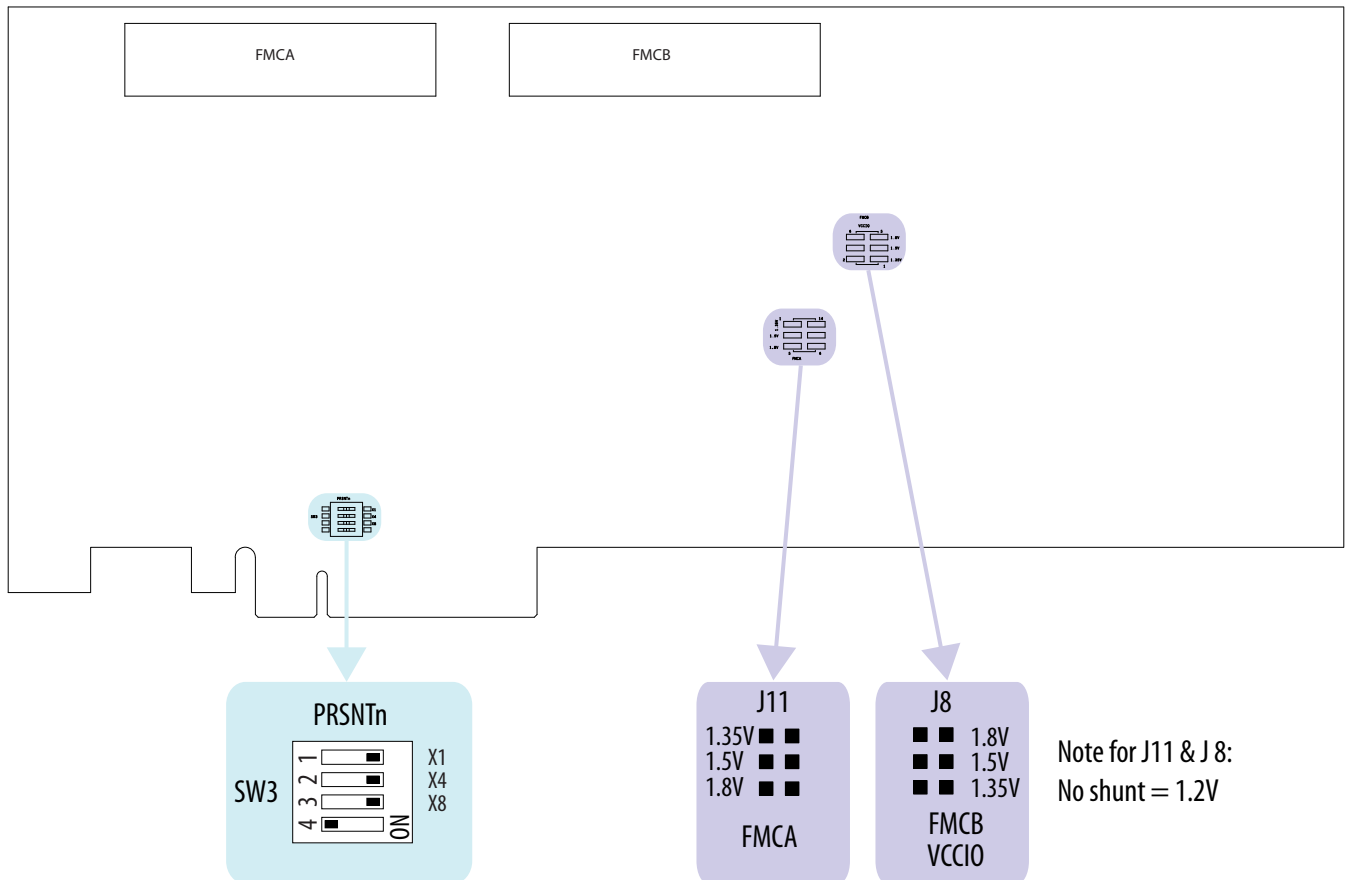
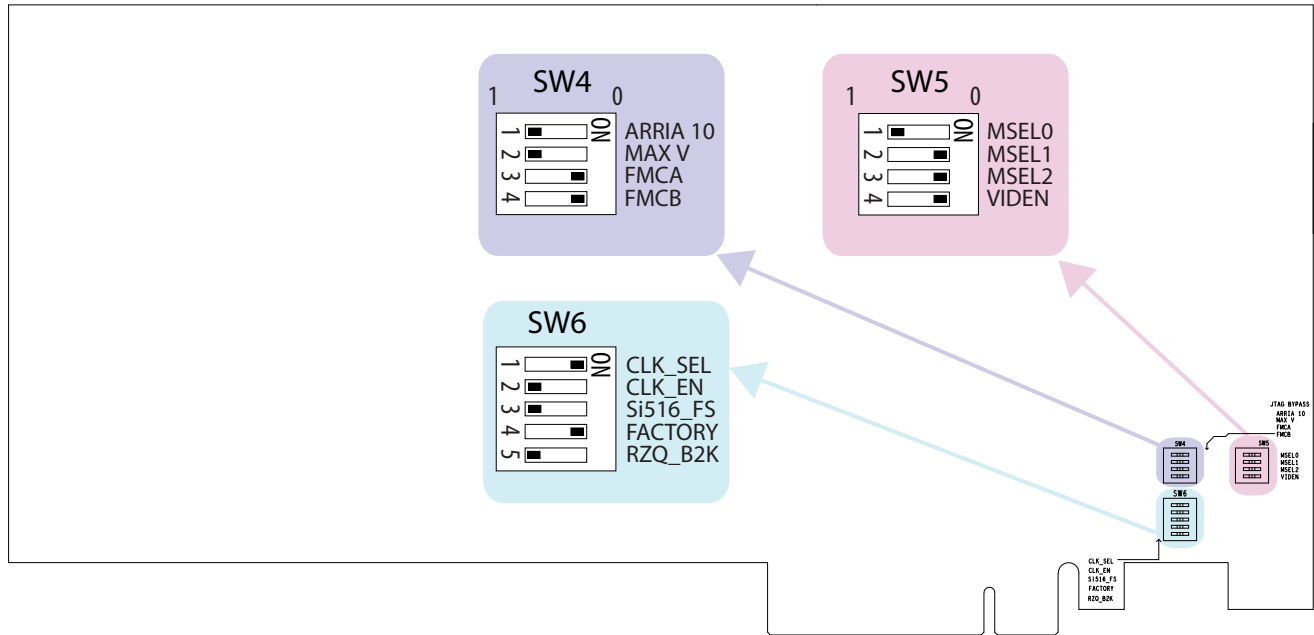


Figure 3-2: Default Switch Settings on the Bottom



1. Set DIP switch bank (SW3) to match the following table.

Table 3-1: SW3 DIP PCIe Switch Default Settings (Board Top)

Switch	Board Label	Function	Default Position
1	x1	ON for PCIe x1	ON
2	x4	ON for PCIe x4	ON
3	x8	ON for PCIe x8	ON
4	—	OFF for 1.35 V MEM_VDD power rail	OFF

2. If all of the jumper blocks are open, the FMCA and FMCB VCCIO value is 1.2 V. To change that value, add shunts as shown in the following table.

Table 3-2: Default Jumper Settings for the FPGA Mezzanine Card (FMC) Ports (Board Top)

Board Reference	Board Label	Description
J8 pins 1-2	1.35V	1.35 V FMCB V _{CCIO} select
J8 pins 3-4	1.5V	1.5 V FMCB V _{CCIO} select
J8 pins 5-6	1.8V	1.8 V FMCB V _{CCIO} select

Board Reference	Board Label	Description
J11 pins 1-2	1.35V	1.35 V FMCA V _{CCIO} select
J11 pins 3-4	1.5V	1.5 V FMCA V _{CCIO} select
J11 pins 5-6	1.8V	1.8 V FMCA V _{CCIO} select

3. Set DIP switch bank (SW4) to match the following table.

Table 3-3: SW4 JTAG DIP Switch Default Settings (Board Bottom)

Switch	Board Label	Function	Default Position
1	ARRIA 10	OFF to enable the Arria 10 in the JTAG chain	OFF
2	MAX V	OFF to enable the MAX V in the JTAG chain	OFF
3	FMCA	ON to bypass the FMCA connector in the JTAG chain	ON
4	FMCB	ON to bypass the FMCB connector in the JTAG chain	ON

4. Set DIP switch bank (SW5) to match the following table.

Table 3-4: SW5 DIP Switch Default Settings (Board Bottom)

Switch	Board Label	Function	Default Position
1	MSEL0	OFF for MSEL0 = 1; for FPP standard mode	OFF
2	MSEL1	ON for MSEL1 = 0; for FPP standard mode	ON
3	MSEL2	ON for MSEL2 = 0; for FPP standard mode	ON
4	VIDEN	OFF for enabling VID_EN for the Smart Voltage ID (SmartVID) feature	ON

5. Set DIP switch bank (SW6) to match the following table.

Table 3-5: SW6 DIP Switch Default Settings (Board Bottom)

Switch	Board Label	Function	Default Position
1	CLK_SEL	ON for 100 MHz on-board clock oscillator selection OFF for SMA input clock selection	ON
2	CLK_EN	OFF for setting CLK_ENABLE signal high to the MAV V	OFF

Switch	Board Label	Function	Default Position
3	Si516_FS	ON for setting the SDI REFCLK frequency to 148.35 MHz OFF for setting the SDI REFCLK frequency to 148.5 MHz	OFF
4	FACTORY	ON to load factory image from flash OFF to load user image #1 from flash	ON
5	RZQ_B2K	ON for setting RZQ resistor of Bank 2K to 99.17 ohm OFF for setting RZQ resistor of Bank 2K to 240 ohm	OFF

Default Switch and Resistor Settings

This topic shows you how to restore the default factory settings and explains their functions.

Figure 3-3: Default Switch and Resistor Settings on the Top

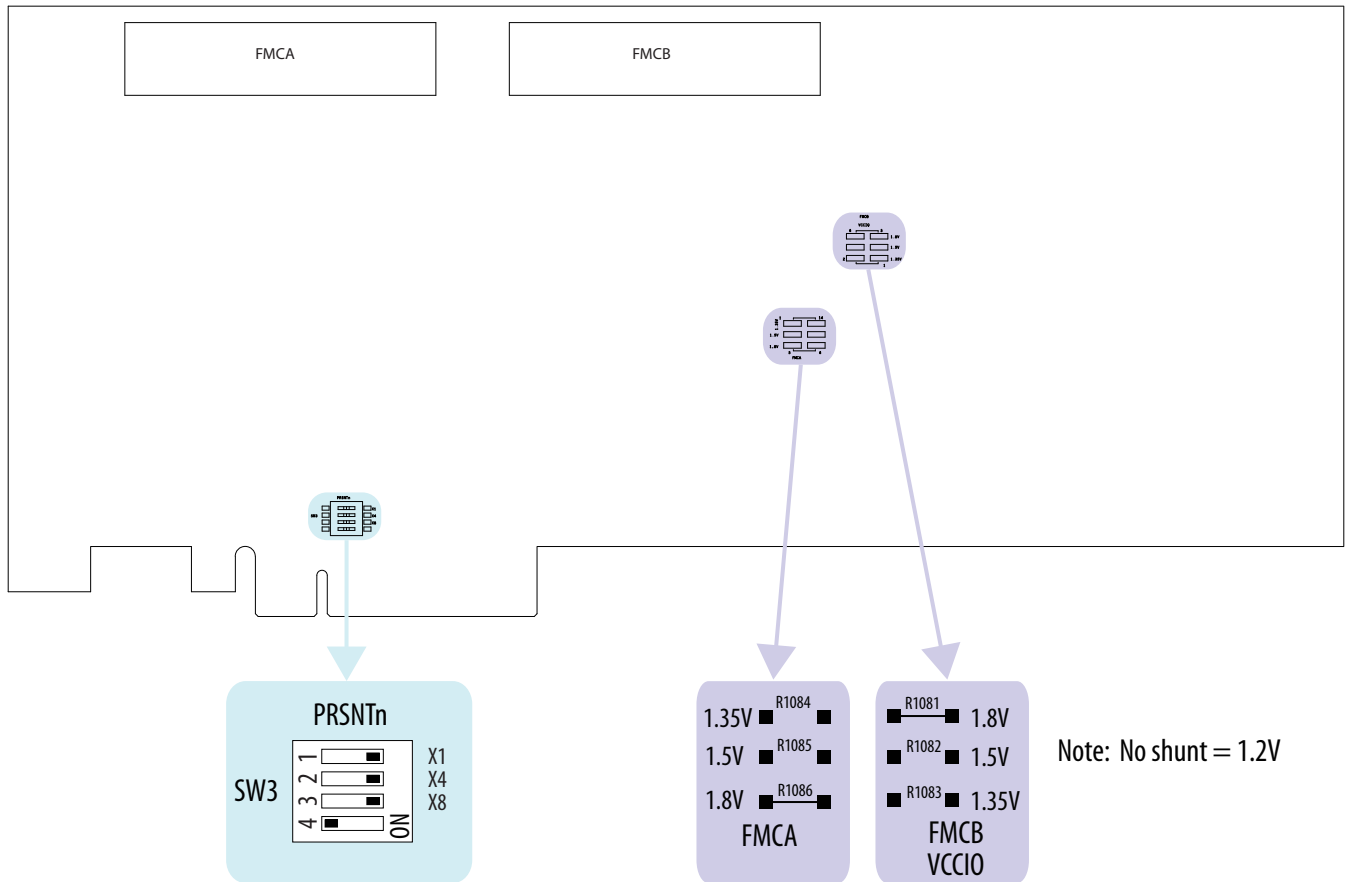
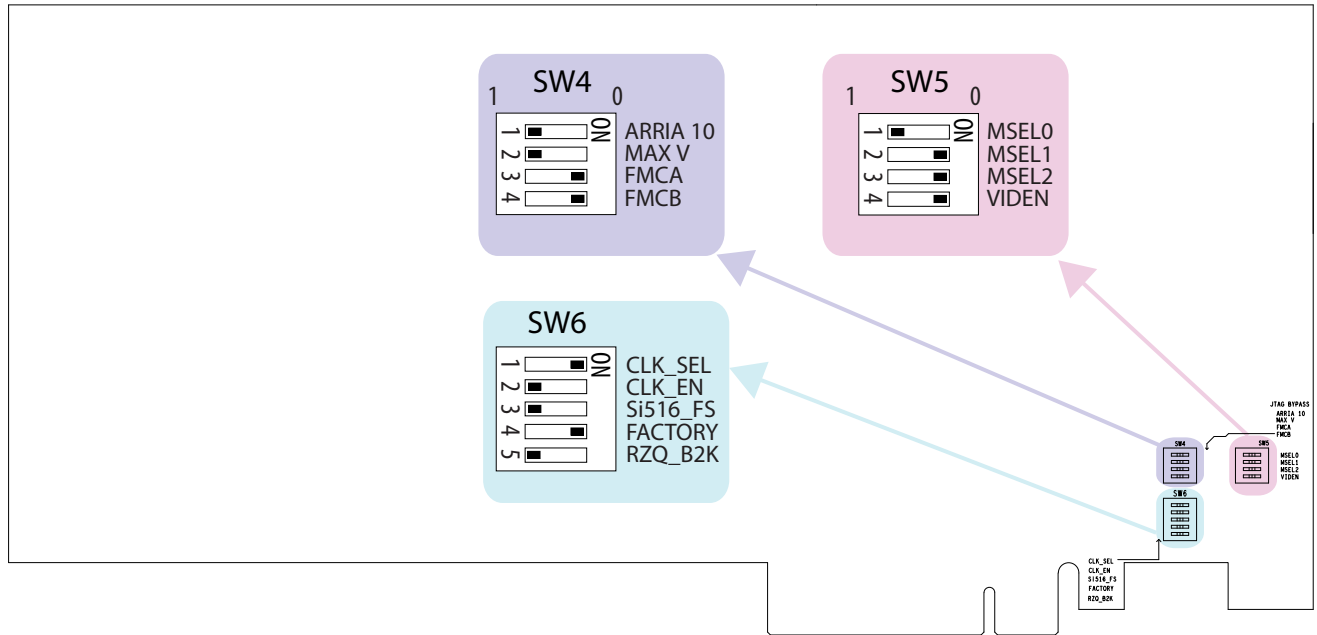


Figure 3-4: Default Switch Settings on the Bottom



1. Set DIP switch bank (SW3) to match the following table.

Table 3-6: SW3 DIP PCIe Switch Default Settings (Board Top)

Switch	Board Label	Function	Default Position
1	x1	ON for PCIe x1	ON
2	x4	ON for PCIe x4	ON
3	x8	ON for PCIe x8	ON
4	—	OFF for 1.35 V MEM_VDD power rail	OFF

2. If all of the resistors are open, the FMCA and FMCB VCCIO value is 1.2 V. To change that value, add resistors as shown in the following table.

Table 3-7: Default Resistor Settings for the FPGA Mezzanine Card (FMC) Ports (Board Top)

Board Reference	Board Label	Description
R1083	1.35V	1.35 V FMCB V _{CCIO} select
R1082	1.5V	1.5 V FMCB V _{CCIO} select

Board Reference	Board Label	Description
R1081	1.8V	1.8 V FMCB V_{CCIO} select Note: A 0 Ohm resistor is installed by default.
R1084	1.35V	1.35 V FMCA V_{CCIO} select
R1085	1.5V	1.5 V FMCA V_{CCIO} select
R1086	1.8V	1.8 V FMCA V_{CCIO} select Note: A 0 Ohm resistor is installed by default.

3. Set DIP switch bank (SW4) to match the following table.

Table 3-8: SW4 JTAG DIP Switch Default Settings (Board Bottom)

Switch	Board Label	Function	Default Position
1	ARRIA 10	OFF to enable the Arria 10 in the JTAG chain	OFF
2	MAX V	OFF to enable the MAX V in the JTAG chain	OFF
3	FMCA	ON to bypass the FMCA connector in the JTAG chain	ON
4	FMCB	ON to bypass the FMCB connector in the JTAG chain	ON

4. Set DIP switch bank (SW5) to match the following table.

Table 3-9: SW5 DIP Switch Default Settings (Board Bottom)

Switch	Board Label	Function	Default Position
1	MSEL0	OFF for MSEL0 = 1; for FPP standard mode	OFF
2	MSEL1	ON for MSEL1 = 0; for FPP standard mode	ON
3	MSEL2	ON for MSEL2 = 0; for FPP standard mode	ON
4	VIDEN	OFF for enabling V_{ID_EN} for the Smart Voltage ID (SmartVID) feature	ON

5. Set DIP switch bank (SW6) to match the following table.

Table 3-10: SW6 DIP Switch Default Settings (Board Bottom)

Switch	Board Label	Function	Default Position
1	CLK_SEL	ON for 100 MHz on-board clock oscillator selection OFF for SMA input clock selection	ON

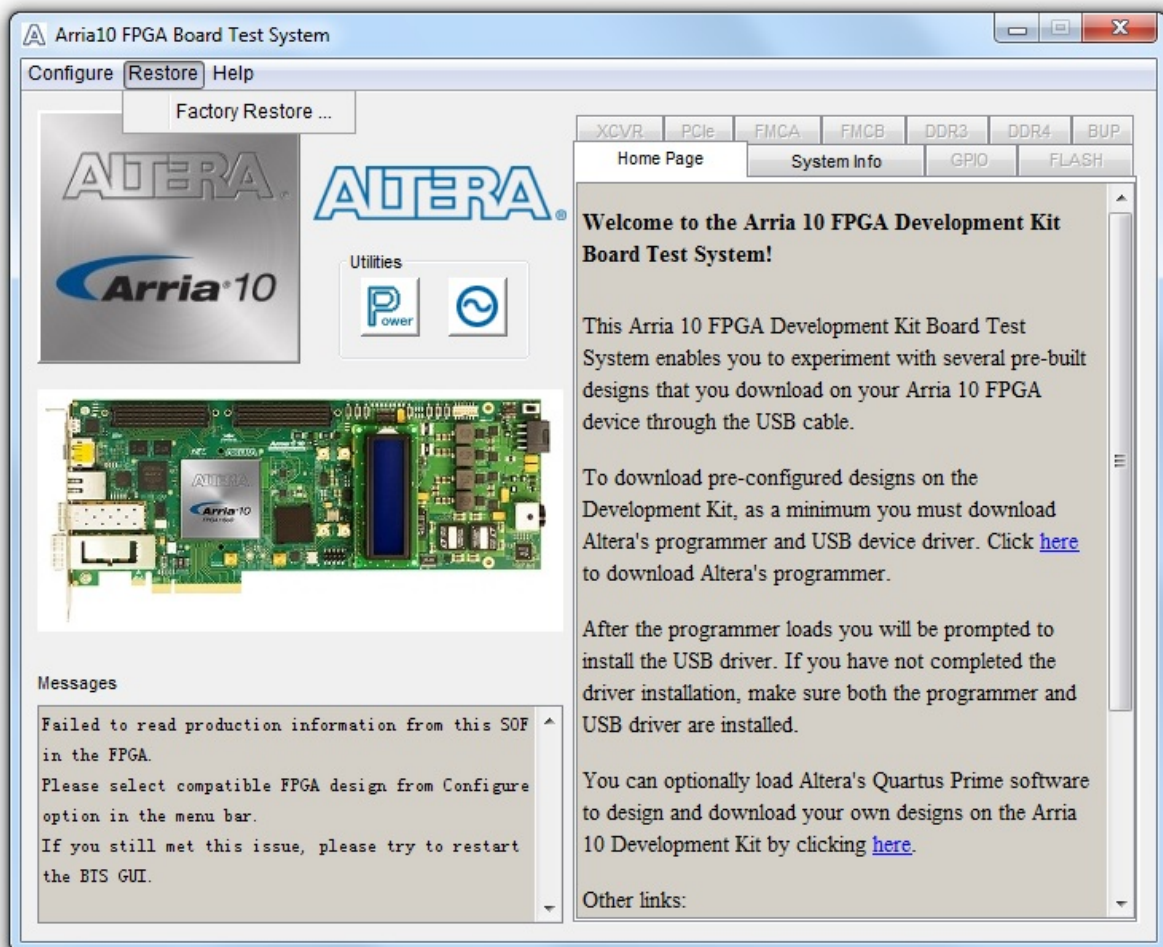
Switch	Board Label	Function	Default Position
2	CLK_EN	OFF for setting CLK_ENABLE signal high to the MAV V	OFF
3	Si516_FS	ON for setting the SDI REFCLK frequency to 148.35 MHz OFF for setting the SDI REFCLK frequency to 148.5 MHz	OFF
4	FACTORY	ON to load factory image from flash OFF to load user image #1 from flash	ON
5	RZQ_B2K	ON for setting RZQ resistor of Bank 2K to 99.17 ohm OFF for setting RZQ resistor of Bank 2K to 240 ohm	OFF

Factory Reset

To do a factory reset, follow these steps:

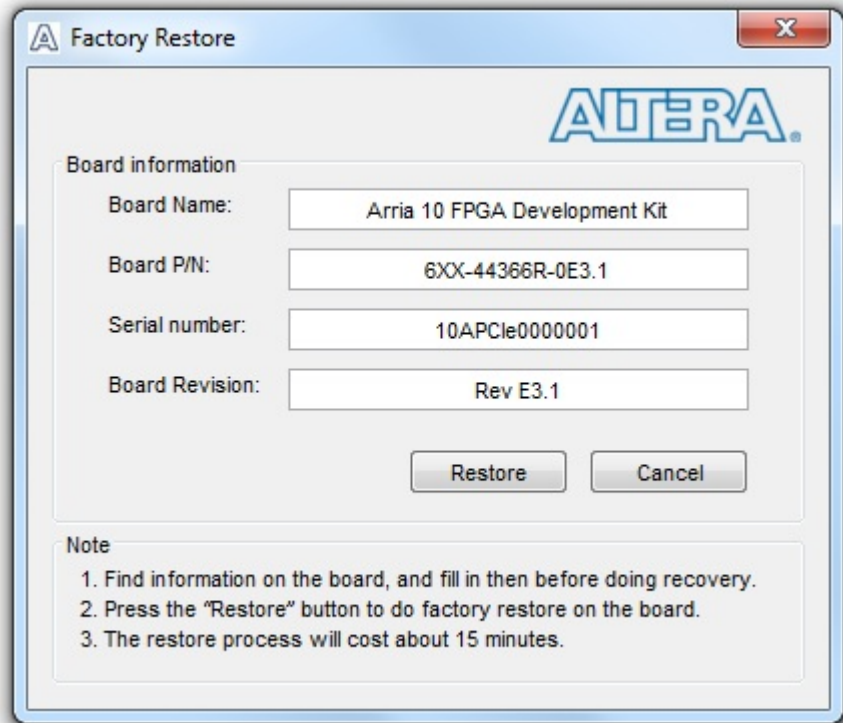
1. Install the latest Altera software tools, including the Quartus Prime software, Nios II processor, and IP functions. If necessary, download the Quartus Prime Pro Edition software from the [Altera Download Center](#).
2. Set the board switches to the factory default settings described in "[Default Switch and Resistor Settings](#)".
3. Open the GUI application "**BoardTestSystem.exe**".
 - a. Launch the Nios II command shell, change to directory to <package_dir>\examples\board_test_system\, and then type in **./BoardTestSystem.exe** to open the GUI.
 - b. Change directory to <package_dir>\examples\board_test_system\, and then double click "**BoardTestSystem.exe**" to open the GUI.
4. Select **"Restore -> Factory Restore"**.

Figure 3-5: Arria 10 FPGA Board Test System Factory Restore Select



5. Set the correct board information and then click restore. The restore process takes about 10 minutes.

Figure 3-6: Factory Restore Window



Related Information

- [Board Update Portal](#) on page 5-1
- [Using the Board Update Portal to Update User Designs](#) on page 5-3

2021.03.19

UG-20007



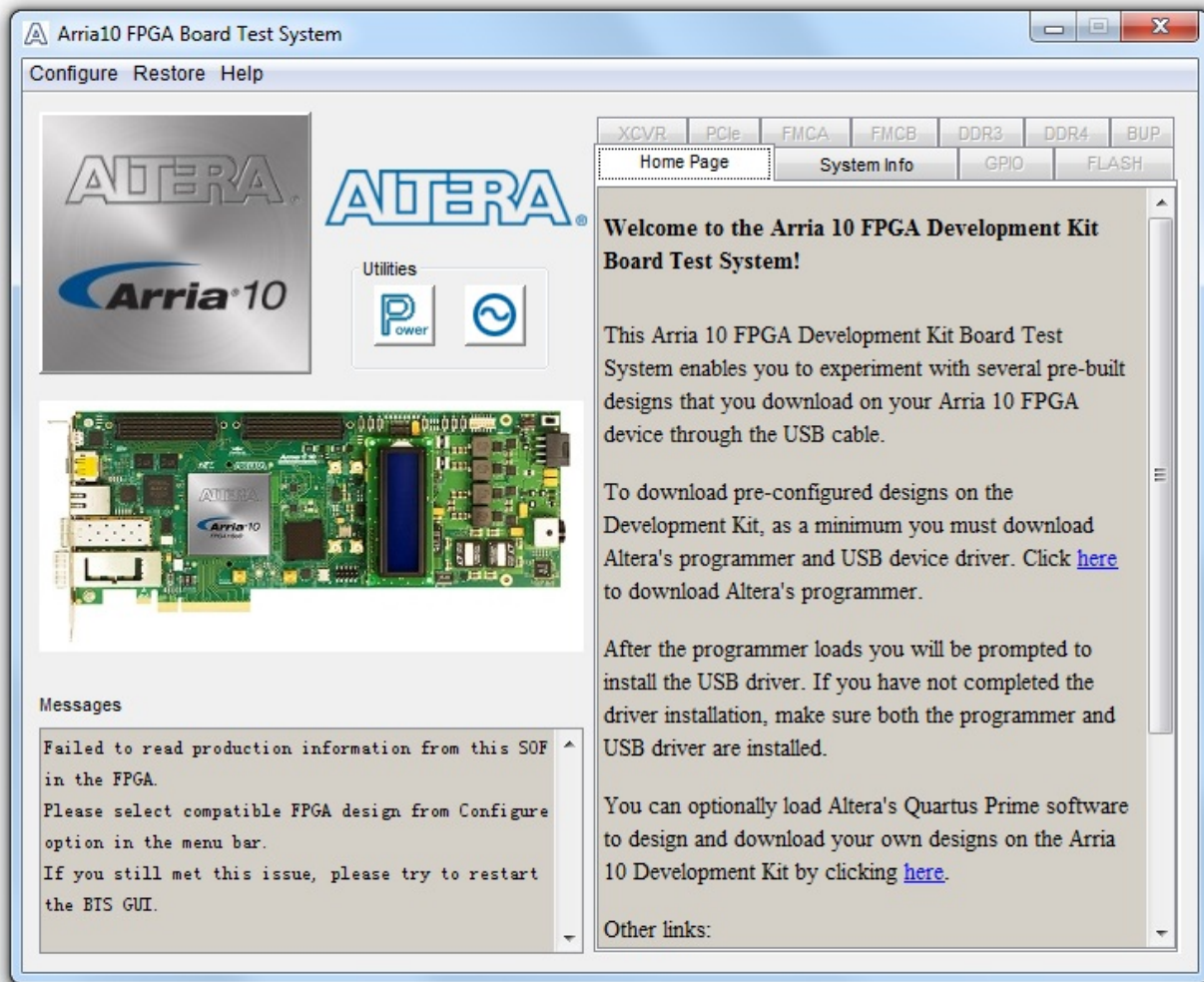
Subscribe



Send Feedback

The Board Test System (BTS) provides an easy-to-use interface to alter functional settings and observe the results. You can use the BTS to test board components, modify functional parameters, observe performance, and measure power usage.

Figure 4-1: Board Test System GUI



Intel Corporation. All rights reserved. Intel, the Intel logo, Altera, Arria, Cyclone, Enpirion, MAX, Nios, Quartus and Stratix words and logos are trademarks of Intel Corporation or its subsidiaries in the U.S. and/or other countries. Intel warrants performance of its FPGA and semiconductor products to current specifications in accordance with Intel's standard warranty, but reserves the right to make changes to any products and services at any time without notice. Intel assumes no responsibility or liability arising out of the application or use of any information, product, or service described herein except as expressly agreed to in writing by Intel. Intel customers are advised to obtain the latest version of device specifications before relying on any published information and before placing orders for products or services.

*Other names and brands may be claimed as the property of others.

ISO
9001:2015
Registered

ALTERA
now part of Intel

While using the BTS, you reconfigure the FPGA several times with test designs specific to the functionality you are testing. Several designs are provided to test the major board features. Each design provides data for one or more tabs in the application. The Configure menu identifies the appropriate design to download to the FPGA for each tab.

After successful FPGA configuration, the appropriate tab appears that allows you to exercise the related board features. Highlights appear in the board picture around the corresponding components.

The BTS communicates over the JTAG bus to a test design running in the FPGA. The Board Test System and Power Monitor share the JTAG bus with other applications like the Nios II debugger and the SignalTap® II Embedded Logic Analyzer. Because the BTS is designed based on the Quartus Programmer and System Console, be sure to close other applications before you use the BTS application.

Preparing the Board

With the power to the board off, follow these steps:

1. Connect the USB cable to your PC and the board.
2. Ensure that the Ethernet patch cord is plugged into the RJ-45 connector.
3. Check the development board switches and jumpers are set according to your preferences. See the “Factory Default Switch and Jumper Settings” section.
4. Set the load selector switch (SW6.4) to OFF for user hardware1 (page #1).

The development board ships with the CFI flash device preprogrammed with a default:

- Factory FPGA configuration for running the Board Update Portal design example
 - User configuration for running the Board Test System demonstration
5. Turn on the power to the board. The board loads the design stored in the user hardware1 portion of flash memory into the FPGA. If your board is still in the factory configuration, or if you have downloaded a newer version of the Board Test System to flash memory through the Board Update Portal, the design loads the GPIO, Ethernet, and flash memory tests.

To ensure operating stability, keep the USB cable connected and the board powered on when running the demonstration application. The application cannot run correctly unless the USB cable is attached and the board is on.

Related Information

[Default Switch and Jumper Settings](#) on page 3-2

Running the Board Test System

To run the Board Test System (BTS), navigate to the `<package_dir>\examples\board_test_system` directory and run the `BoardTestSystem.exe` application.

On Windows, you can also run the BTS from the **Start > All Programs > Altera** menu.

A GUI appears, displaying the application tab that corresponds to the design running in the FPGA. The development board's flash memory ships preconfigured with the design that corresponds to the GPIO tab.

Note: The BTS relies on the Quartus Prime software's specific library. Before running the BTS, open the Quartus Prime software. It sets the environment variable `$QUARTUS_ROOTDIR` automatically. The Board Test System uses this environment variable to locate the Quartus Prime library.

The BTS will pick up the Quartus Programmer to configure the FPGA device on your development kit. Make sure the Quartus Prime software you are using is the version supporting the FPGA silicon on the board.

Version Selector

The BTS will prompt you with a Version Selector window once opened. You can also open the Version Selector window through the **Configure** tab by clicking **Select Silicon Version**. Select the silicon version of the Arria 10 device that is installed on your board.

Figure 4-2: Configure Tab Version Selector Option

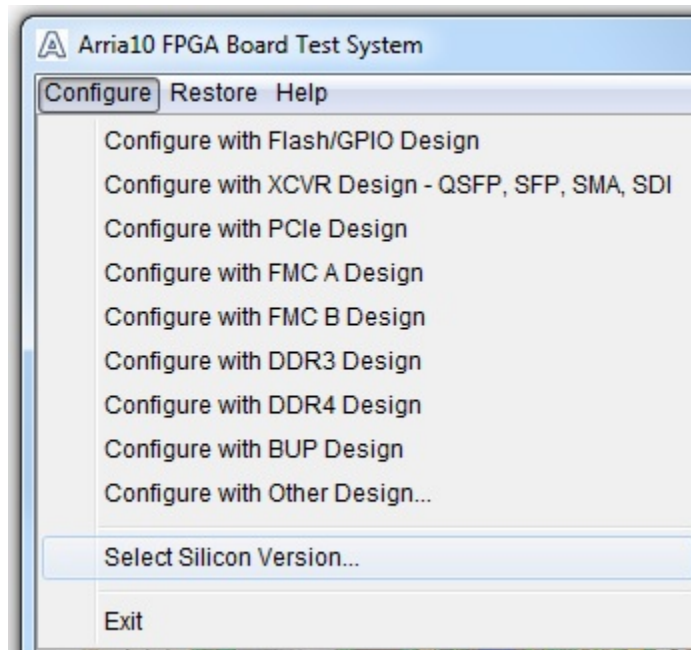


Figure 4-3: Version Selector



If you do not know, or are unsure of the version, enter the board serial number in the box on the right and the software will pick the right version based on the table below. The numbers here are the last 3-4 digits of the serial number which can be found on the bottom of your board.

Figure 4-4: Board Serial Number Sticker



Table 4-1: Serial Number to Arria 10 Silicon Revision

Serial Number	Arria 10 Silicon Revision
10APCIe000[< 0332]	ES2
10APCIe000[0332 – 0383]	PRD-1
10APCIe000[0500 – 0999]	ES3
10APCIe000[1000+]	PRD

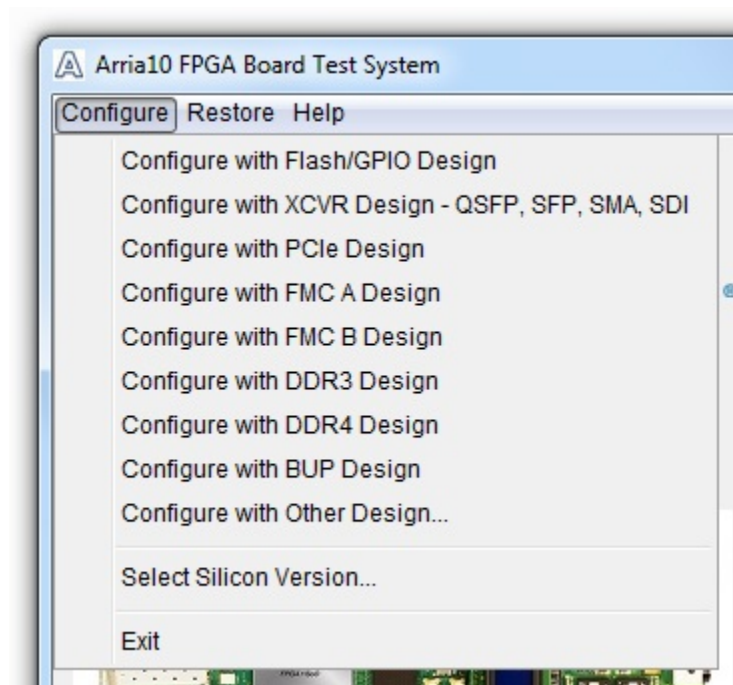
Using the Board Test System

This section describes each control in the Board Test System application.

Using the Configure Menu

Use the Configure menu to select the design you want to use. Each design example tests different board features. Choose a design from this menu and the corresponding tabs become active for testing.

Figure 4-5: The Configure Menu



To configure the FPGA with a test system design, perform the following steps:

1. On the **Configure** menu, click the configure command that corresponds to the functionality you wish to test.
2. In the dialog box that appears, click **Configure** to download the corresponding design to the FPGA.
3. When configuration finishes, close the Quartus Programmer if open. The design begins running in the FPGA. The corresponding GUI application tabs that interface with the design are now enabled.

If you use the Quartus Programmer for configuration, rather than the Board Test System GUI, you may need to restart the GUI.

The System Info Tab

The System Info tab shows the board's current configuration. The tab displays the contents of the MAX V registers, the JTAG chain, the board's MAC address, the Qsys memory map, and other details stored on the board.

Figure 4-6: The System Info Tab

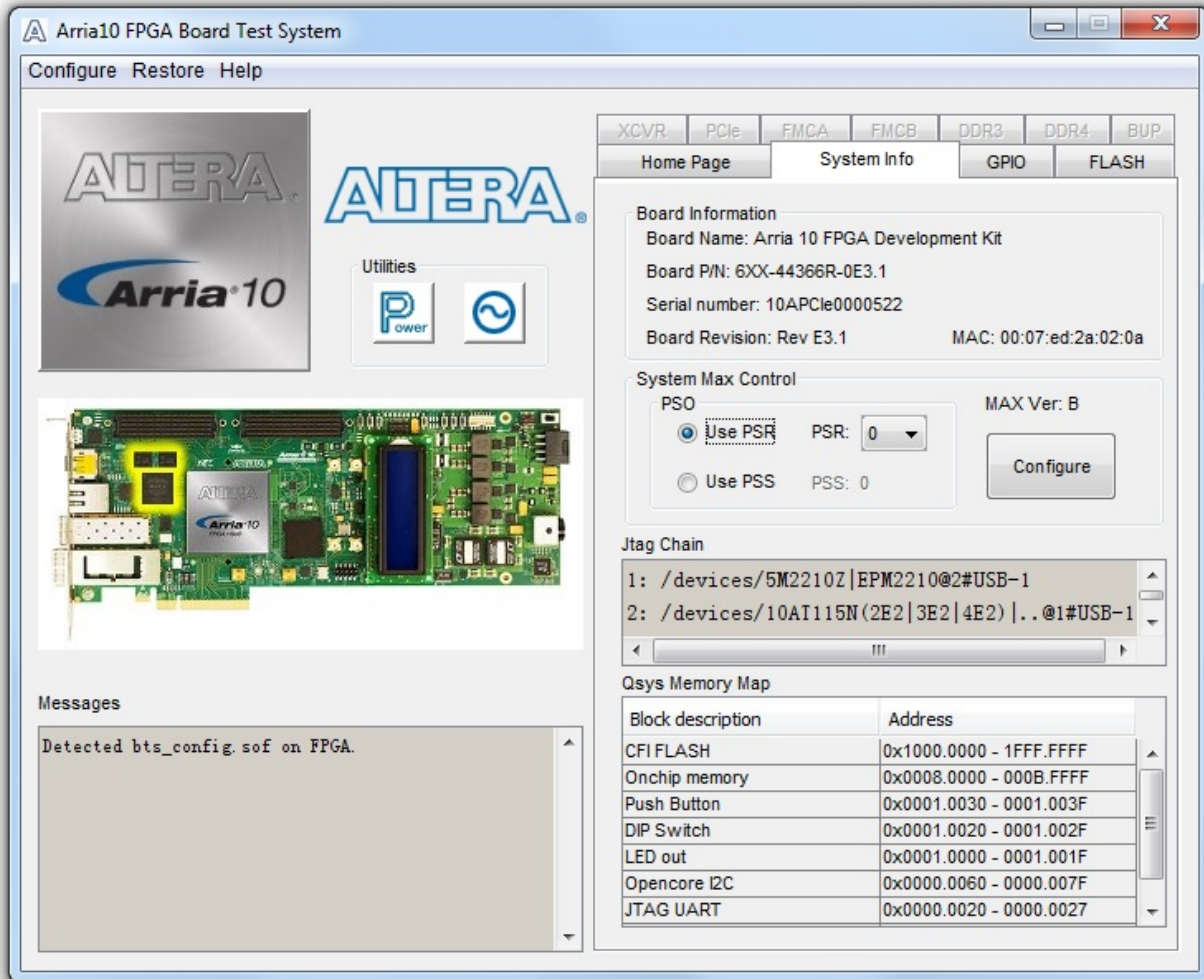


Table 4-2: Controls on the System Info Tab

Controls	Description
Board Information Controls	The board information is updated once the GPIO design is configured. Otherwise, this control displays the default static information about your board.
Board Name	Indicates the official name of the board, given by the Board Test System.
Board P/N	Indicates the part number of the board.

Controls	Description
Serial Number	Indicates the serial number of the board.
Factory Test Version	Indicates the version of the Board Test System currently running on the board.
MAC	Indicates the MAC address of the board.
MAX V Control	Allows you to view and change the current register values, which take effect immediately: System Reset (SRST) — Write only. Click to reset the FPGA. Page Select Override (PSO) — Read/Write Page Select Register (PSR) — Read/Write Page Select Switch (PSS) — Read only MAX Ver: Indicates the version of MAX V code currently running on the board.
JTAG Chain	Shows all the devices currently in the JTAG chain.
Qsys Memory Map	Shows the memory map of the Qsys system on your board.

The GPIO Tab

The GPIO tab allows you to interact with all the general purpose user I/O components on your board. You can write to the character LCD, read DIP switch settings, turn LEDs on or off, and detect push button presses.

Figure 4-7: The GPIO Tab

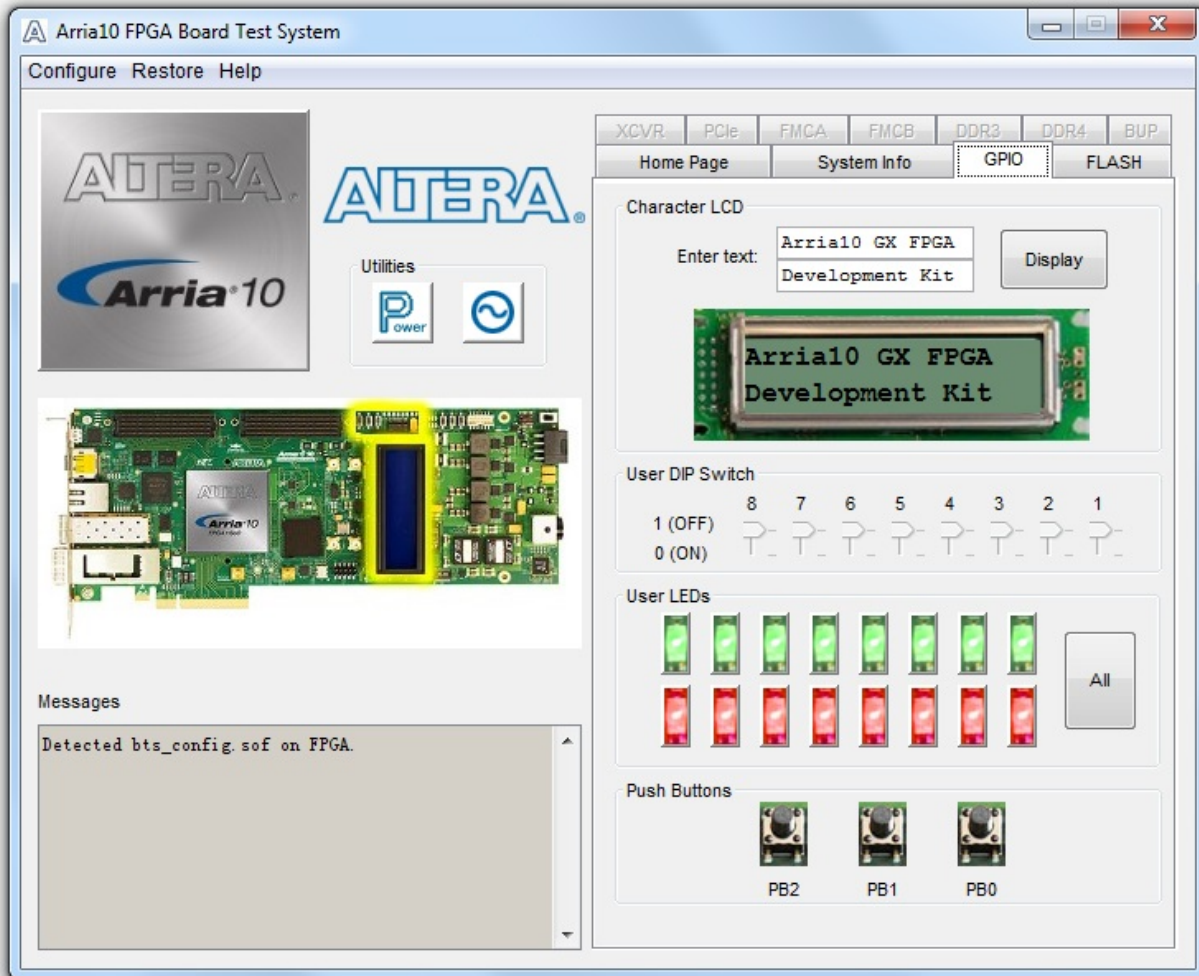


Table 4-3: Controls on the GPIO Tab

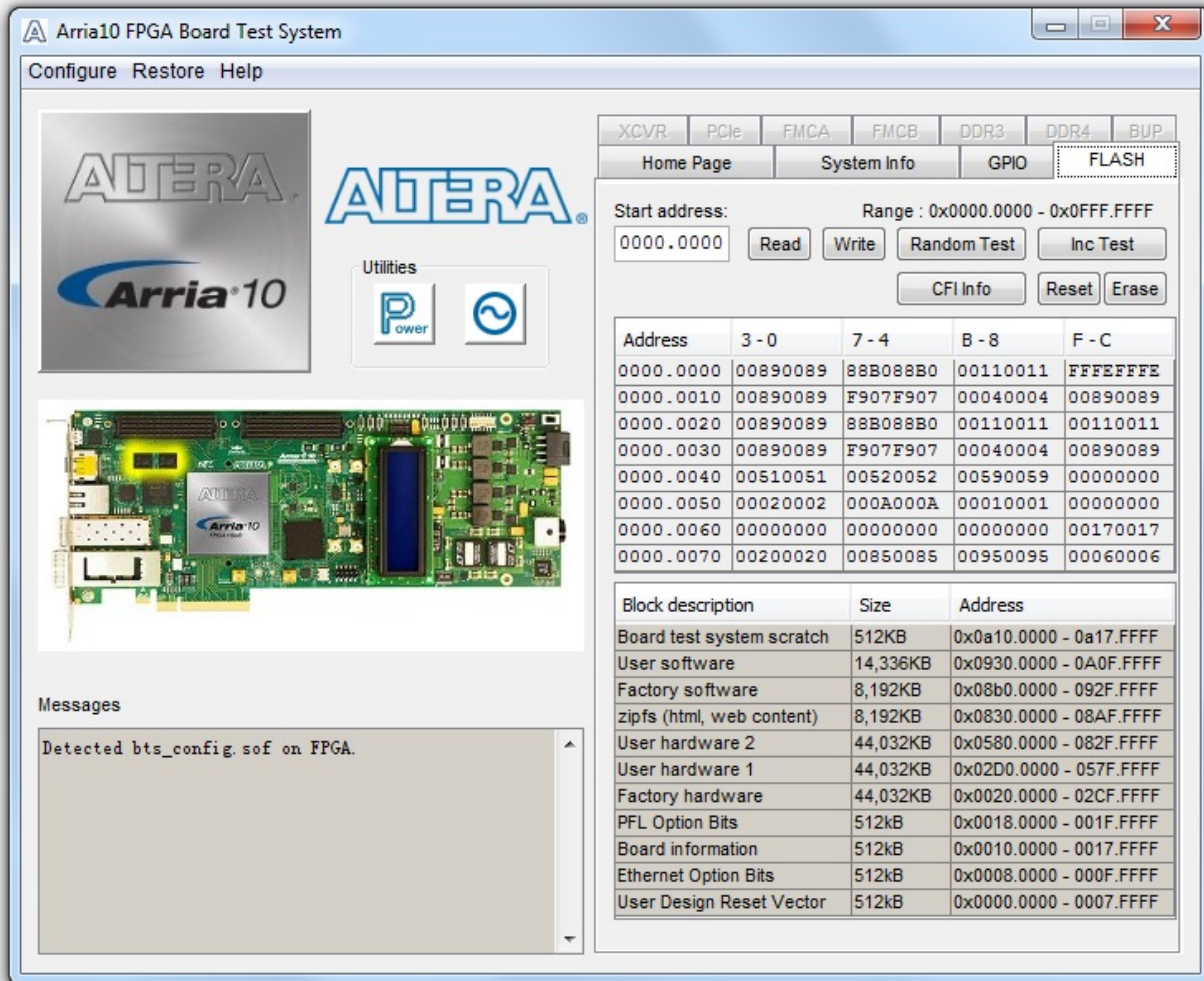
Character LCD	Allows you to display text strings on the character LCD on your board. Type text in the text boxes and then click Display .
User DIP Switch	Displays the current positions of the switches in the user DIP switch bank (SW2). Change the switches on the board to see the graphical display change accordingly.

User LEDs	Displays the current state of the user LEDs for the FPGA. To toggle the board LEDs, click the 0 to 7 buttons to toggle red or green LEDs, or click the All button.
Push Button Switches	Read-only control displays the current state of the board user push buttons. Press a push button on the board to see the graphical display change accordingly.

The Flash Tab

The **Flash Tab** allows you to read and write flash memory on your board. The memory table will display the CFI ROM table contents by default after you configure the FPGA.

Figure 4-8: The Flash Tab



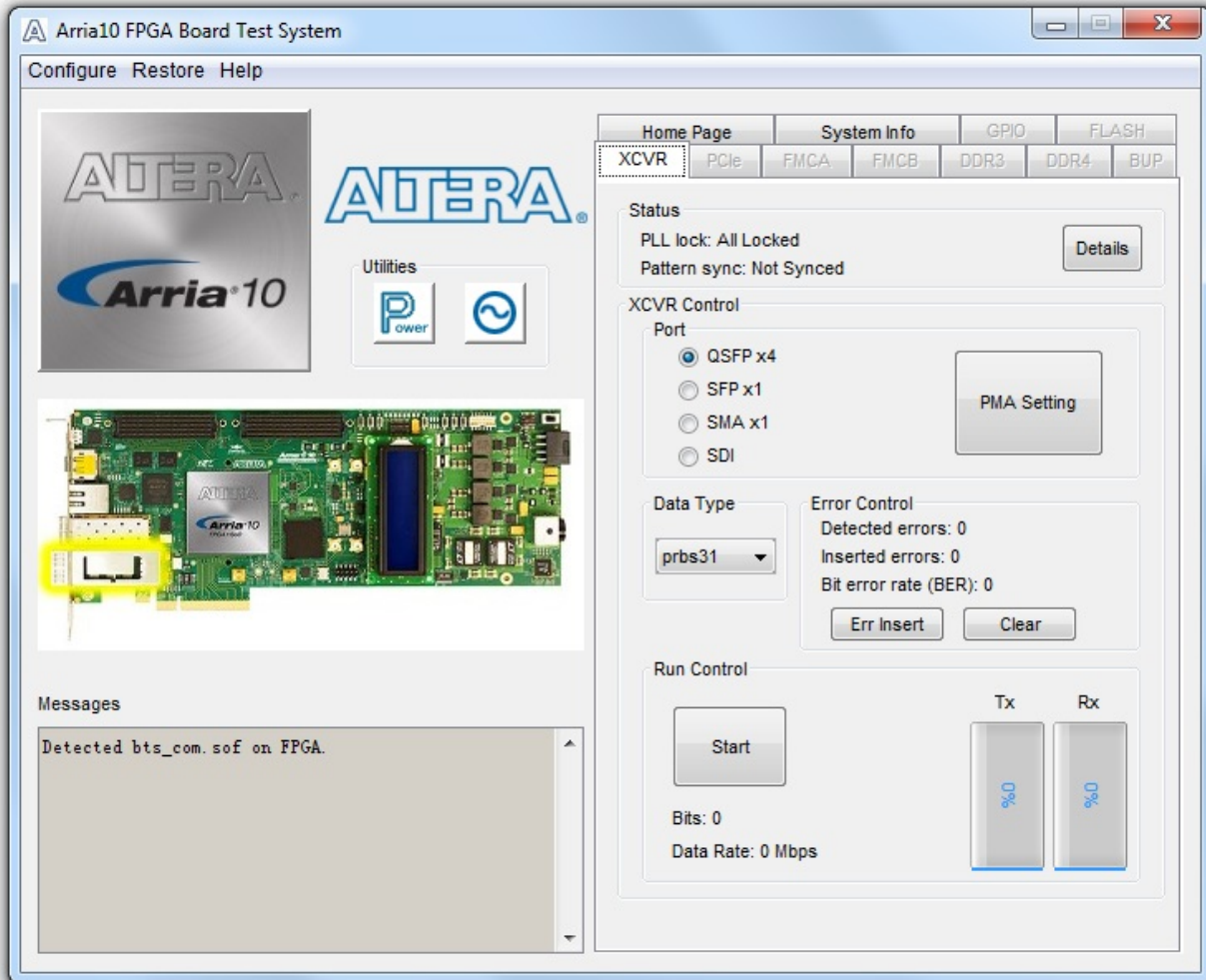
Control	Description
Read	Reads the flash memory on your board. To see the flash memory contents, type a starting address in the text box and click Read. Values starting at the specified address appear in the table.
Write	Writes the flash memory on your board. To update the flash memory contents, change values in the table and click Write. The application writes the new values to flash memory and then reads the values back to guarantee that the graphical display accurately reflects the memory contents.

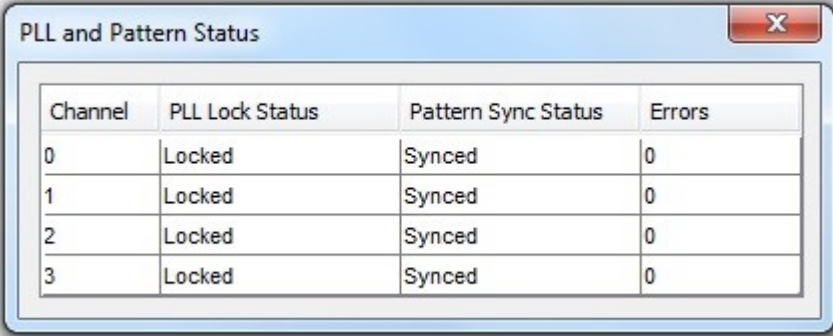
Control	Description
Random Test	Starts a random data pattern test to flash memory, limited to the 512 K test system scratch page.
CFI Query	Updates the memory table, displaying the CFI ROM table contents from the flash device.
Increment Test	Starts an incrementing data pattern test to flash memory, limited to the 512 K test system scratch page.
Reset	Executes the flash device's reset command and updates the memory table displayed on the Flash tab.
Erase	Erases flash memory.
Flash Memory Map	Displays the flash memory map for the development board.

The XCVR Tab

This tab allows you to perform loopback tests on the QSFP, SFP, SMA, and SDI ports.

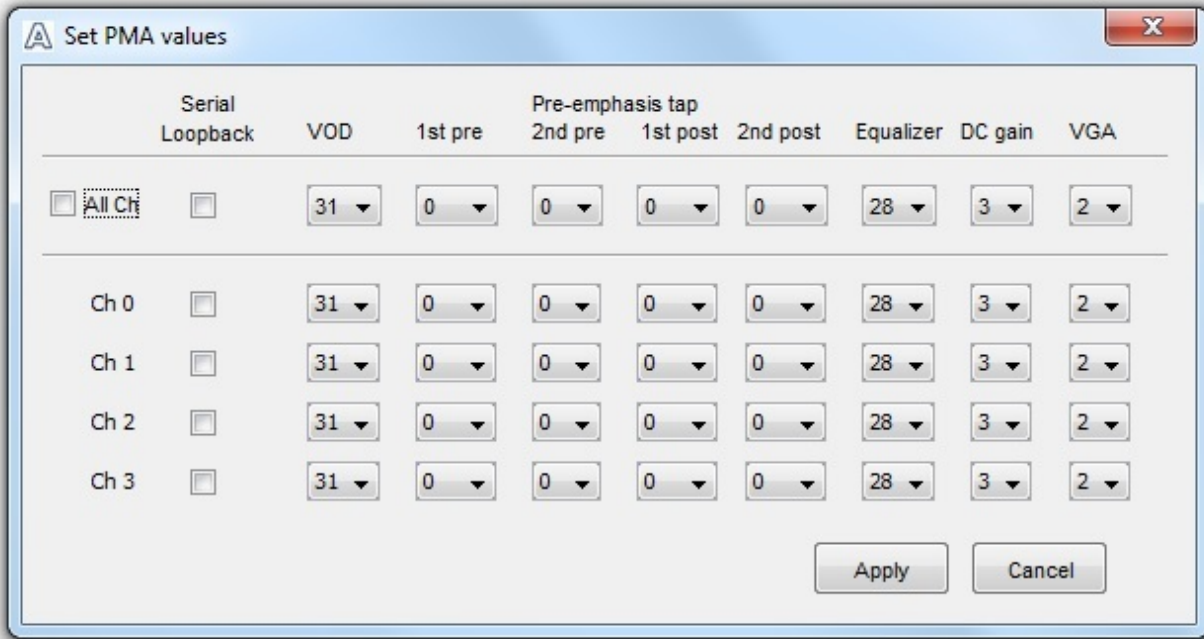
Figure 4-9: The XCVR Tab



Control	Description																				
Status	<p>Displays the following status information during a loopback test:</p> <p>PLL lock—Shows the PLL locked or unlocked state.</p> <p>Pattern sync—Shows the pattern synced or not synced state. The pattern is considered synced when the start of the data sequence is detected.</p> <p>Details—Shows the PLL lock and pattern sync status:</p>  <table border="1" data-bbox="467 453 1295 785"> <thead> <tr> <th>Channel</th> <th>PLL Lock Status</th> <th>Pattern Sync Status</th> <th>Errors</th> </tr> </thead> <tbody> <tr> <td>0</td> <td>Locked</td> <td>Synced</td> <td>0</td> </tr> <tr> <td>1</td> <td>Locked</td> <td>Synced</td> <td>0</td> </tr> <tr> <td>2</td> <td>Locked</td> <td>Synced</td> <td>0</td> </tr> <tr> <td>3</td> <td>Locked</td> <td>Synced</td> <td>0</td> </tr> </tbody> </table>	Channel	PLL Lock Status	Pattern Sync Status	Errors	0	Locked	Synced	0	1	Locked	Synced	0	2	Locked	Synced	0	3	Locked	Synced	0
Channel	PLL Lock Status	Pattern Sync Status	Errors																		
0	Locked	Synced	0																		
1	Locked	Synced	0																		
2	Locked	Synced	0																		
3	Locked	Synced	0																		
Port	<p>Allows you to specify which interface to test. The following port tests are available:</p> <p>QSFP x4</p> <p>SFP x1</p> <p>SMA x1</p> <p>SDI x1</p>																				

Control	Description
PMA Setting	<p>Allows you to make changes to the PMA parameters that affect the active transceiver interface. The following settings are available for analysis:</p> <p>Serial Loopback—Routes signals between the transmitter and the receiver.</p> <p>VOD—Specifies the voltage output differential of the transmitter buffer.</p> <p>Pre-emphasis tap</p> <ul style="list-style-type: none"> • 1st pre—Specifies the amount of pre-emphasis on the pre-tap of the transmitter buffer. • 2nd pre—Specifies the amount of pre-emphasis on the second pre-tap of the transmitter buffer. • 1st post—Specifies the amount of pre-emphasis on the first post tap of the transmitter buffer. • 2nd post—Specifies the amount of pre-emphasis on the second post tap of the transmitter buffer. <p>Equalizer—Specifies the AC gain setting for the receiver equalizer in four stage mode.</p> <p>DC gain—Specifies the DC gain setting for the receiver equalizer in four stage mode.</p> <p>VGA—Specifies the VGA gain value.</p> <p>All PMA settings should be changed as in Figure 4-10.</p>
Data Type	<p>Specifies the type of data contained in the transactions. The following data types are available for analysis:</p> <ul style="list-style-type: none"> • PRBS 7—Selects pseudo-random 7-bit sequences. • PRBS 15—Selects pseudo-random 15-bit sequences. • PRBS 23—Selects pseudo-random 23-bit sequences. • PRBS 31—Selects pseudo-random 31-bit sequences. • HF—Selects highest frequency divide-by-2 data pattern 10101010. • LF—Selects lowest frequency divide by 33 data pattern.
Error Control	<p>Displays data errors detected during analysis and allows you to insert errors:</p> <ul style="list-style-type: none"> • Detected errors—Displays the number of data errors detected in the hardware. • Inserted errors—Displays the number of errors inserted into the transmit data stream. • Insert Error—Inserts a one-word error into the transmit data stream each time you click the button. Insert Error is only enabled during transaction performance analysis. • Clear—Resets the Detected errors and Inserted errors counters to zeroes.
Loopback	<p>Start—Initiates the selected ports transaction performance analysis.</p> <p>Note: Always click Clear before Start.</p> <p>Stop—Terminates transaction performance analysis.</p> <p>TX and RX performance bars—Show the percentage of maximum theoretical data rate that the requested transactions are able to achieve.</p>

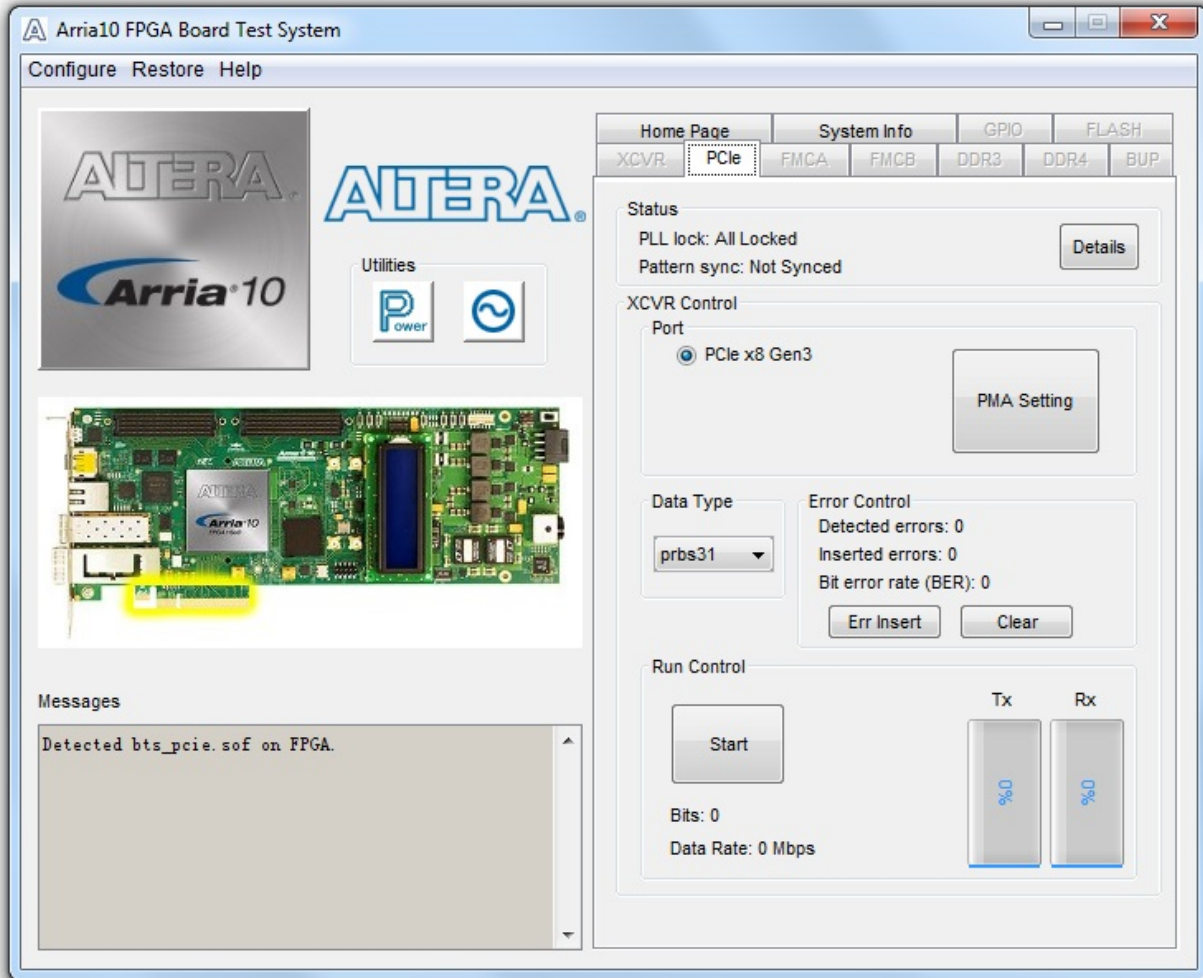
Figure 4-10: Set PMA Values Window

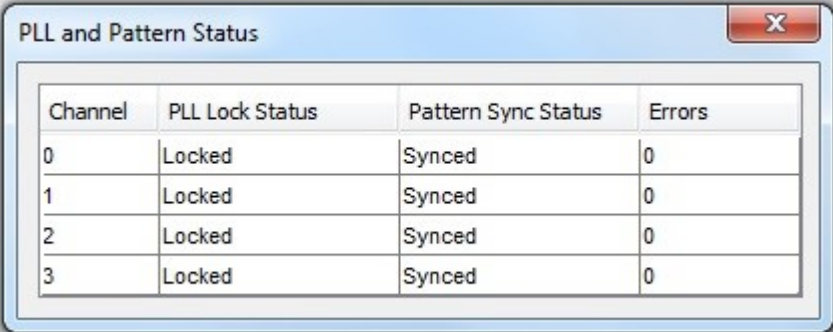


The PCIe Tab

This tab allows you to run a PCIe loopback test on your board. You can also load the design and use an oscilloscope to measure an eye diagram of the PCIe transmit signals.

Figure 4-11: The PCIe Tab



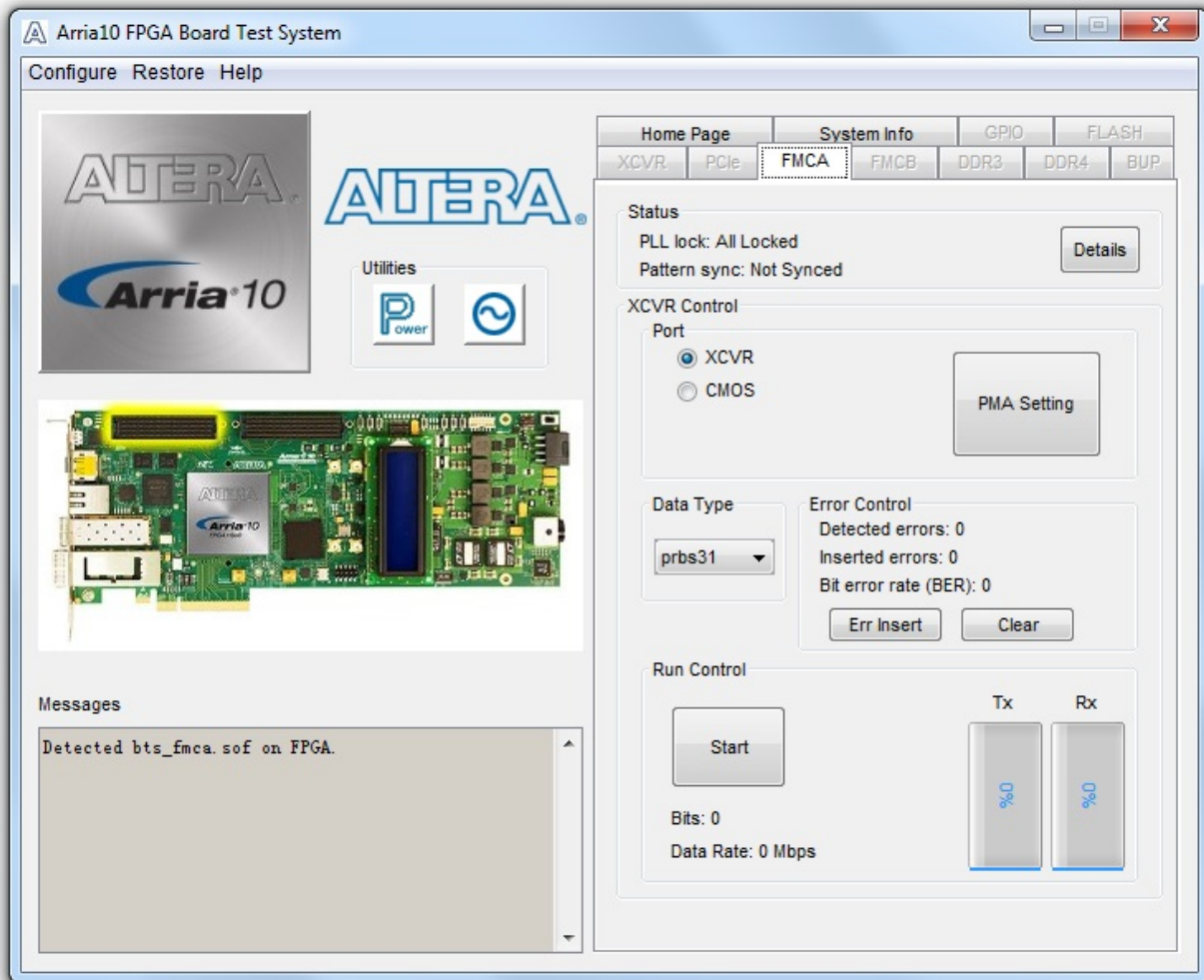
Control	Description																				
Status	<p>Displays the following status information during a loopback test:</p> <p>PLL lock—Shows the PLL locked or unlocked state.</p> <p>Pattern sync—Shows the pattern synced or not synced state. The pattern is considered synced when the start of the data sequence is detected.</p> <p>Details—Shows the PLL lock and pattern sync status:</p>  <table border="1" data-bbox="623 485 1451 814"> <thead> <tr> <th>Channel</th> <th>PLL Lock Status</th> <th>Pattern Sync Status</th> <th>Errors</th> </tr> </thead> <tbody> <tr> <td>0</td> <td>Locked</td> <td>Synced</td> <td>0</td> </tr> <tr> <td>1</td> <td>Locked</td> <td>Synced</td> <td>0</td> </tr> <tr> <td>2</td> <td>Locked</td> <td>Synced</td> <td>0</td> </tr> <tr> <td>3</td> <td>Locked</td> <td>Synced</td> <td>0</td> </tr> </tbody> </table>	Channel	PLL Lock Status	Pattern Sync Status	Errors	0	Locked	Synced	0	1	Locked	Synced	0	2	Locked	Synced	0	3	Locked	Synced	0
Channel	PLL Lock Status	Pattern Sync Status	Errors																		
0	Locked	Synced	0																		
1	Locked	Synced	0																		
2	Locked	Synced	0																		
3	Locked	Synced	0																		
Port	PCIe x8 Gen3																				
PMA Setting	<p>Allows you to make changes to the PMA parameters that affect the active transceiver interface. The following settings are available for analysis:</p> <p>Serial Loopback—Routes signals between the transmitter and the receiver.</p> <p>VOD—Specifies the voltage output differential of the transmitter buffer.</p> <p>Pre-emphasis tap</p> <ul style="list-style-type: none"> • 1st pre—Specifies the amount of pre-emphasis on the pre-tap of the transmitter buffer. • 2nd pre—Specifies the amount of pre-emphasis on the second pre-tap of the transmitter buffer. • 1st post—Specifies the amount of pre-emphasis on the first post tap of the transmitter buffer. • 2nd post—Specifies the amount of pre-emphasis on the second post tap of the transmitter buffer. <p>Equalizer—Specifies the AC gain setting for the receiver equalizer in four stage mode.</p> <p>DC gain—Specifies the DC gain setting for the receiver equalizer in four stage mode.</p> <p>VGA—Specifies the VGA gain value.</p> <p>All PMA settings should be changed as in Figure 4-10.</p>																				

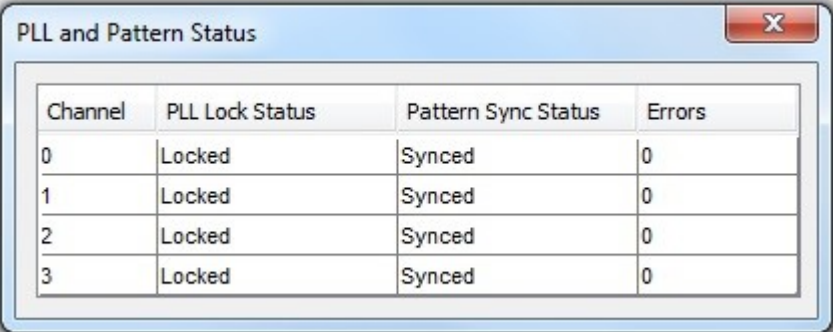
Control	Description
Data Type	<p>Specifies the type of data contained in the transactions. The following data types are available for analysis:</p> <ul style="list-style-type: none"> • PRBS 7—Selects pseudo-random 7-bit sequences. • PRBS 15—Selects pseudo-random 15-bit sequences. • PRBS 23—Selects pseudo-random 23-bit sequences. • PRBS 31—Selects pseudo-random 31-bit sequences. • HF—Selects highest frequency divide-by-2 data pattern 10101010. • LF—Selects lowest frequency divide by 33 data pattern.
Error Control	<p>Displays data errors detected during analysis and allows you to insert errors:</p> <ul style="list-style-type: none"> • Detected errors—Displays the number of data errors detected in the hardware. • Inserted errors—Displays the number of errors inserted into the transmit data stream. • Insert Error—Inserts a one-word error into the transmit data stream each time you click the button. Insert Error is only enabled during transaction performance analysis. • Clear—Resets the Detected errors and Inserted errors counters to zeroes.
Loopback	<p>Start—Initiates the selected ports transaction performance analysis. Note: Always click Clear before Start.</p> <p>Stop—Terminates transaction performance analysis.</p> <p>TX and RX performance bars—Show the percentage of maximum theoretical data rate that the requested transactions are able to achieve.</p>

The FMC A Tab

This tab allows you to perform loopback tests on the FMC A port.

Figure 4-12: The FMC A Tab



Control	Description																				
<p>Status</p>	<p>Displays the following status information during a loopback test:</p> <p>PLL lock—Shows the PLL locked or unlocked state.</p> <p>Pattern sync—Shows the pattern synced or not synced state. The pattern is considered synced when the start of the data sequence is detected.</p> <p>Details—Shows the PLL lock and pattern sync status:</p>  <table border="1" data-bbox="625 485 1453 814"> <caption>PLL and Pattern Status</caption> <thead> <tr> <th>Channel</th> <th>PLL Lock Status</th> <th>Pattern Sync Status</th> <th>Errors</th> </tr> </thead> <tbody> <tr> <td>0</td> <td>Locked</td> <td>Synced</td> <td>0</td> </tr> <tr> <td>1</td> <td>Locked</td> <td>Synced</td> <td>0</td> </tr> <tr> <td>2</td> <td>Locked</td> <td>Synced</td> <td>0</td> </tr> <tr> <td>3</td> <td>Locked</td> <td>Synced</td> <td>0</td> </tr> </tbody> </table>	Channel	PLL Lock Status	Pattern Sync Status	Errors	0	Locked	Synced	0	1	Locked	Synced	0	2	Locked	Synced	0	3	Locked	Synced	0
Channel	PLL Lock Status	Pattern Sync Status	Errors																		
0	Locked	Synced	0																		
1	Locked	Synced	0																		
2	Locked	Synced	0																		
3	Locked	Synced	0																		
<p>Port</p>	<p>Allows you to specify which interface to test. The following port tests are available:</p> <p>XCVR</p> <p>CMOS</p>																				

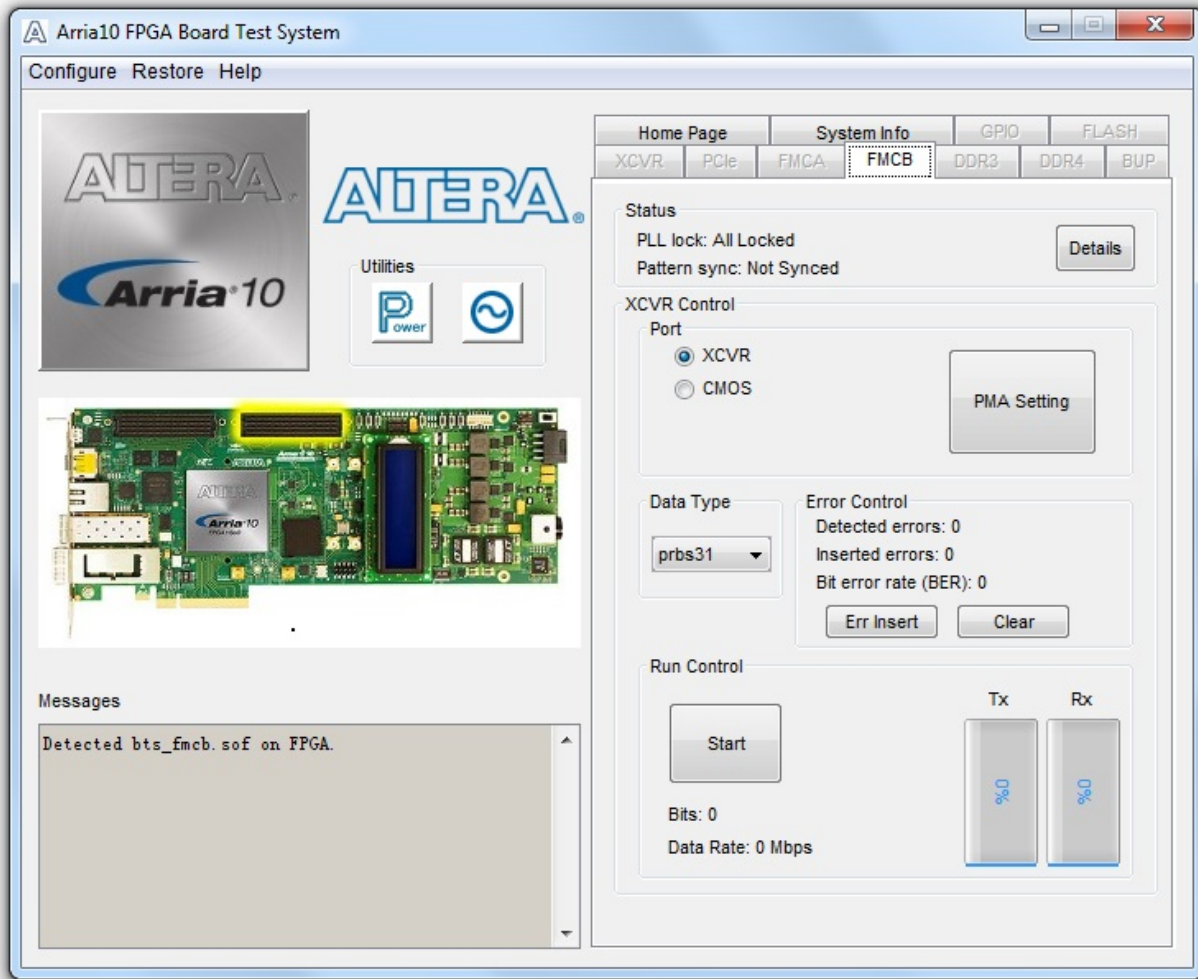
Control	Description
PMA Setting	<p>Allows you to make changes to the PMA parameters that affect the active transceiver interface. The following settings are available for analysis:</p> <p>Serial Loopback—Routes signals between the transmitter and the receiver.</p> <p>VOD—Specifies the voltage output differential of the transmitter buffer.</p> <p>Pre-emphasis tap</p> <ul style="list-style-type: none"> • 1st pre—Specifies the amount of pre-emphasis on the pre-tap of the transmitter buffer. • 2nd pre—Specifies the amount of pre-emphasis on the second pre-tap of the transmitter buffer. • 1st post—Specifies the amount of pre-emphasis on the first post tap of the transmitter buffer. • 2nd post—Specifies the amount of pre-emphasis on the second post tap of the transmitter buffer. <p>Equalizer—Specifies the AC gain setting for the receiver equalizer in four stage mode.</p> <p>DC gain—Specifies the DC gain setting for the receiver equalizer in four stage mode.</p> <p>VGA—Specifies the VGA gain value.</p> <p>All PMA settings should be changed as in Figure 4-10.</p>
Data Type	<p>Specifies the type of data contained in the transactions. The following data types are available for analysis:</p> <ul style="list-style-type: none"> • PRBS 7—Selects pseudo-random 7-bit sequences. • PRBS 15—Selects pseudo-random 15-bit sequences. • PRBS 23—Selects pseudo-random 23-bit sequences. • PRBS 31—Selects pseudo-random 31-bit sequences. • HF—Selects highest frequency divide-by-2 data pattern 10101010. • LF—Selects lowest frequency divide by 33 data pattern.
Error Control	<p>Displays data errors detected during analysis and allows you to insert errors:</p> <ul style="list-style-type: none"> • Detected errors—Displays the number of data errors detected in the hardware. • Inserted errors—Displays the number of errors inserted into the transmit data stream. • Insert Error—Inserts a one-word error into the transmit data stream each time you click the button. Insert Error is only enabled during transaction performance analysis. • Clear—Resets the Detected errors and Inserted errors counters to zeroes.

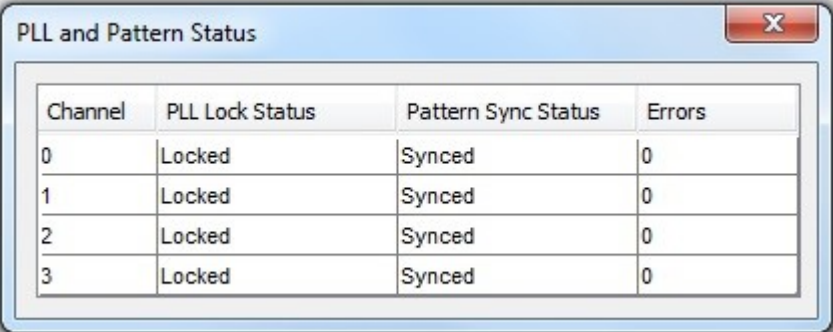
Control	Description
Loopback	<p>Start—Initiates the selected ports transaction performance analysis.</p> <p>Note: Always click Clear before Start.</p> <p>Stop—Terminates transaction performance analysis.</p> <p>TX and RX performance bars—Show the percentage of maximum theoretical data rate that the requested transactions are able to achieve.</p>

The FMC B Tab

This tab allows you to perform loopback tests on the FMC B port.

Figure 4-13: The FMC B Tab



Control	Description																				
<p>Status</p>	<p>Displays the following status information during a loopback test:</p> <p>PLL lock—Shows the PLL locked or unlocked state.</p> <p>Pattern sync—Shows the pattern synced or not synced state. The pattern is considered synced when the start of the data sequence is detected.</p> <p>Details—Shows the PLL lock and pattern sync status:</p>  <table border="1" data-bbox="625 485 1453 814"> <caption>PLL and Pattern Status</caption> <thead> <tr> <th>Channel</th> <th>PLL Lock Status</th> <th>Pattern Sync Status</th> <th>Errors</th> </tr> </thead> <tbody> <tr> <td>0</td> <td>Locked</td> <td>Synced</td> <td>0</td> </tr> <tr> <td>1</td> <td>Locked</td> <td>Synced</td> <td>0</td> </tr> <tr> <td>2</td> <td>Locked</td> <td>Synced</td> <td>0</td> </tr> <tr> <td>3</td> <td>Locked</td> <td>Synced</td> <td>0</td> </tr> </tbody> </table>	Channel	PLL Lock Status	Pattern Sync Status	Errors	0	Locked	Synced	0	1	Locked	Synced	0	2	Locked	Synced	0	3	Locked	Synced	0
Channel	PLL Lock Status	Pattern Sync Status	Errors																		
0	Locked	Synced	0																		
1	Locked	Synced	0																		
2	Locked	Synced	0																		
3	Locked	Synced	0																		
<p>Port</p>	<p>Allows you to specify which interface to test. The following port tests are available:</p> <p>XCVR</p> <p>CMOS</p>																				

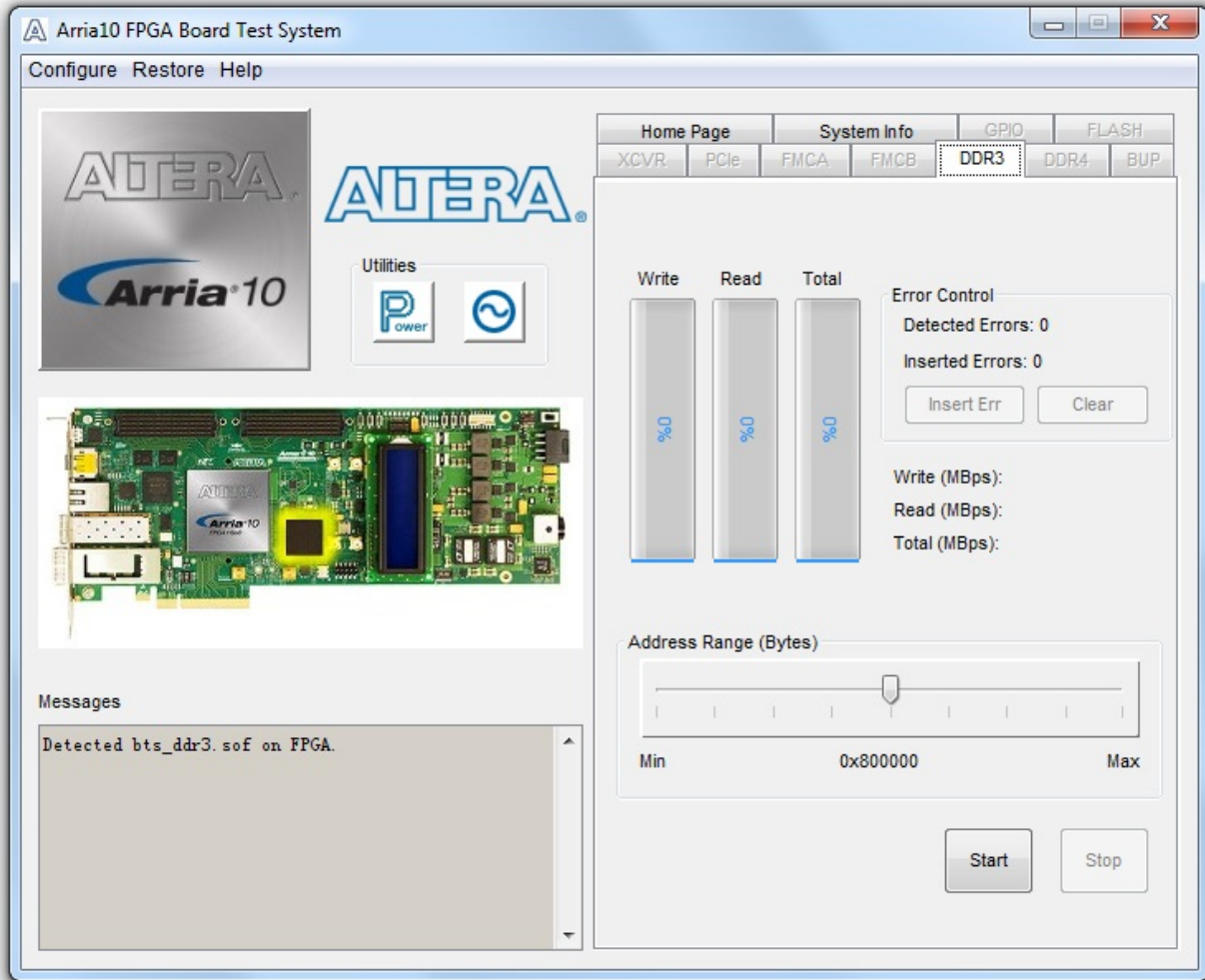
Control	Description
PMA Setting	<p>Allows you to make changes to the PMA parameters that affect the active transceiver interface. The following settings are available for analysis:</p> <p>Serial Loopback—Routes signals between the transmitter and the receiver.</p> <p>VOD—Specifies the voltage output differential of the transmitter buffer.</p> <p>Pre-emphasis tap</p> <ul style="list-style-type: none"> • 1st pre—Specifies the amount of pre-emphasis on the pre-tap of the transmitter buffer. • 2nd pre—Specifies the amount of pre-emphasis on the second pre-tap of the transmitter buffer. • 1st post—Specifies the amount of pre-emphasis on the first post tap of the transmitter buffer. • 2nd post—Specifies the amount of pre-emphasis on the second post tap of the transmitter buffer. <p>Equalizer—Specifies the AC gain setting for the receiver equalizer in four stage mode.</p> <p>DC gain—Specifies the DC gain setting for the receiver equalizer in four stage mode.</p> <p>VGA—Specifies the VGA gain value.</p> <p>All PMA settings should be changed as in Figure 4-10.</p>
Data Type	<p>Specifies the type of data contained in the transactions. The following data types are available for analysis:</p> <ul style="list-style-type: none"> • PRBS 7—Selects pseudo-random 7-bit sequences. • PRBS 15—Selects pseudo-random 15-bit sequences. • PRBS 23—Selects pseudo-random 23-bit sequences. • PRBS 31—Selects pseudo-random 31-bit sequences. • HF—Selects highest frequency divide-by-2 data pattern 10101010. • LF—Selects lowest frequency divide by 33 data pattern.
Error Control	<p>Displays data errors detected during analysis and allows you to insert errors:</p> <ul style="list-style-type: none"> • Detected errors—Displays the number of data errors detected in the hardware. • Inserted errors—Displays the number of errors inserted into the transmit data stream. • Insert Error—Inserts a one-word error into the transmit data stream each time you click the button. Insert Error is only enabled during transaction performance analysis. • Clear—Resets the Detected errors and Inserted errors counters to zeroes.

Control	Description
Loopback	<p>Start—Initiates the selected ports transaction performance analysis.</p> <p>Note: Always click Clear before Start.</p> <p>Stop—Terminates transaction performance analysis.</p> <p>TX and RX performance bars—Show the percentage of maximum theoretical data rate that the requested transactions are able to achieve.</p>

The DDR3 Tab

This tab allows you to read and write DDR3 memory on your board.

Figure 4-14: The DDR3 Tab



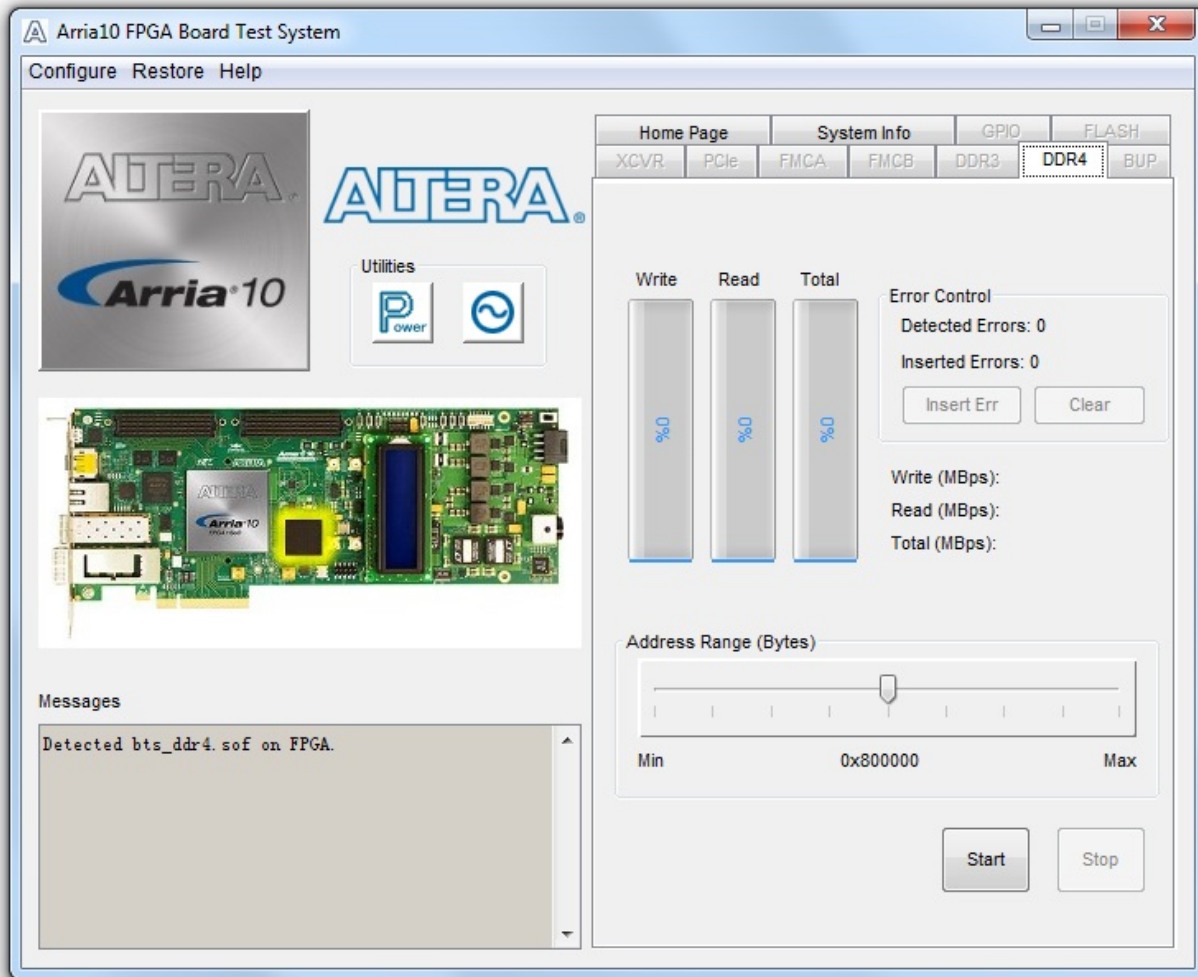
Control	Description
Start	Initiates DDR3 memory transaction performance analysis.
Stop	Terminates transaction performance analysis.

Control	Description
Performance Indicators	<p>These controls display current transaction performance analysis information collected since you last clicked Start:</p> <ul style="list-style-type: none"> • Write, Read, and Total performance bars—Show the percentage of maximum theoretical data rate that the requested transactions are able to achieve. • Write (MBps), Read (MBps), and Total (MBps)—Show the number of bytes of data analyzed per second. • Data bus: 72 bits (8 bits ECC) wide and the frequency is 1066 MHz double data rate. 2133 Megabits per second (Mbps) per pin. Equating to a theoretical maximum bandwidth of 136512 Mbps or 17064 MBps.
Error Control	<p>This control displays data errors detected during analysis and allows you to insert errors:</p> <ul style="list-style-type: none"> • Detected errors—Displays the number of data errors detected in the hardware. • Inserted errors—Displays the number of errors inserted into the transaction stream. • Insert Error—Inserts a one-word error into the transaction stream each time you click the button. Insert Error is only enabled during transaction performance analysis. • Clear—Resets the Detected errors and Inserted errors counters to zeroes.
Number of Addresses to Write and Read	<p>Determines the number of addresses to use in each iteration of reads and writes.</p>

The DDR4 Tab

This tab allows you to read and write DDR4 memory on your board.

Figure 4-15: The DDR4 Tab



Control	Description
Start	Initiates DDR4 memory transaction performance analysis.
Stop	Terminates transaction performance analysis.

Control	Description
Performance Indicators	<p>These controls display current transaction performance analysis information collected since you last clicked Start:</p> <ul style="list-style-type: none"> • Write, Read, and Total performance bars—Show the percentage of maximum theoretical data rate that the requested transactions are able to achieve. • Write (MBps), Read (MBps), and Total (MBps)—Show the number of bytes of data analyzed per second. • Data bus: 72 bits (8 bits ECC) wide and the frequency is 1066 MHz double data rate. 2133 Megabits per second (Mbps) per pin. Equating to a theoretical maximum bandwidth of 136512 Mbps or 17064 MBps.
Error Control	<p>This control displays data errors detected during analysis and allows you to insert errors:</p> <ul style="list-style-type: none"> • Detected errors—Displays the number of data errors detected in the hardware. • Inserted errors—Displays the number of errors inserted into the transaction stream. • Insert Error—Inserts a one-word error into the transaction stream each time you click the button. Insert Error is only enabled during transaction performance analysis. • Clear—Resets the Detected errors and Inserted errors counters to zeroes.
Number of Addresses to Write and Read	<p>Determines the number of addresses to use in each iteration of reads and writes.</p>

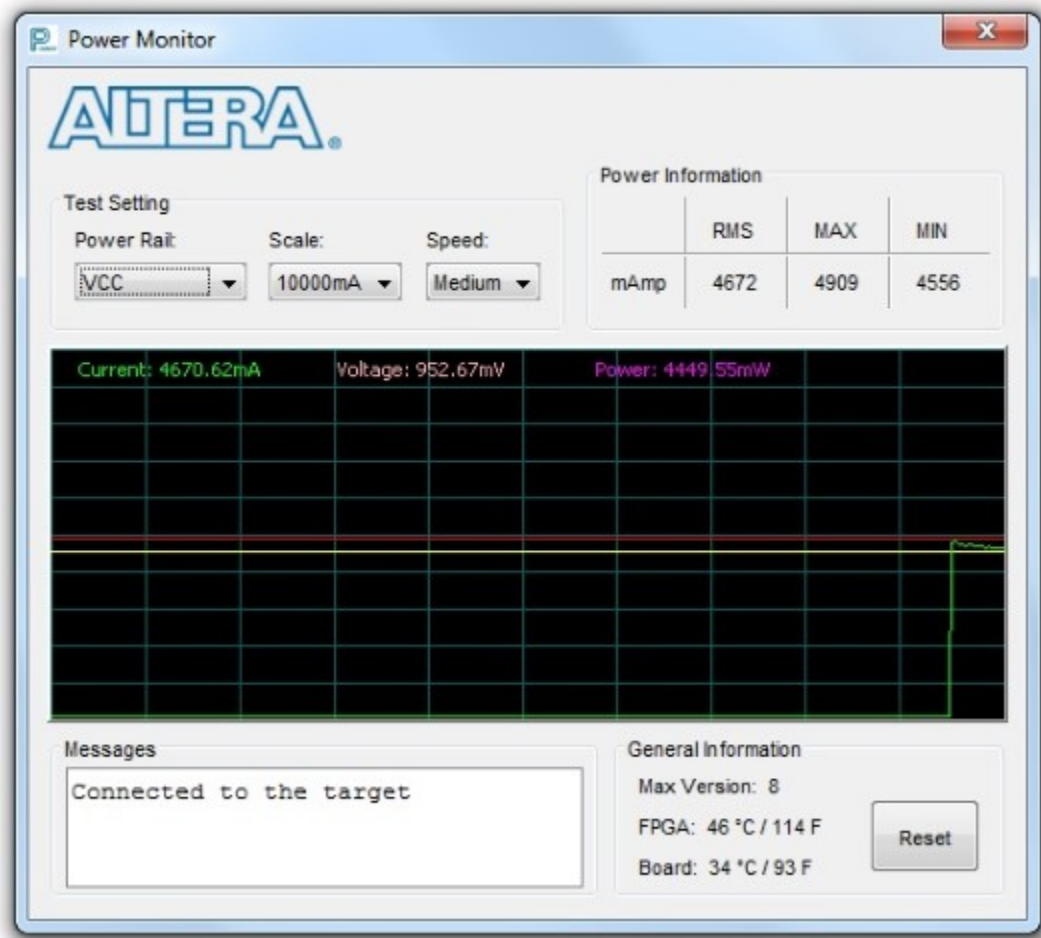
The Power Monitor

The Power Monitor measures and reports current power information and communicates with the MAX V device on the board through the JTAG bus. A power monitor circuit attached to the MAX V device allows you to measure the power that the FPGA is consuming.

To start the application, click the Power Monitor icon in the Board Test System application. You can also run the Power Monitor as a stand-alone application. The `PowerMonitor.exe` resides in the `<package dir>\examples\board_test_system` directory.

Note: You cannot run the stand-alone power application and the BTS application at the same time. Also, you cannot run power and clock interface at the same time

Figure 4-16: Power Monitor Interface



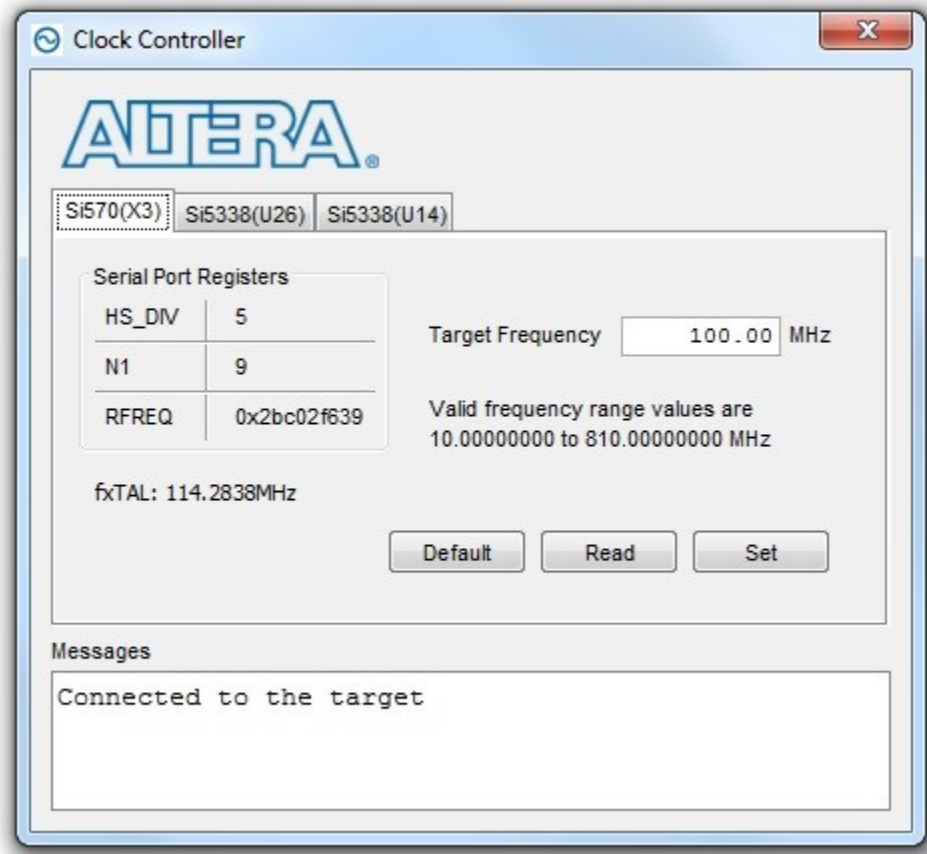
Control	Description
Test Settings	<p>Displays the following controls:</p> <p>Power Rail—Indicates the currently-selected power rail. After selecting the desired rail, click Reset to refresh the screen with updated board readings.</p> <p>Scale—Specifies the amount to scale the power graph. Select a smaller number to zoom in to see finer detail. Select a larger number to zoom out to see the entire range of recorded values.</p> <p>Speed—Specifies how often to refresh the graph.</p>
Power Information	Displays root-mean-square (RMS) current, maximum, and minimum numerical power readings in mA.
Graph	Displays the mA power consumption of your board over time. The green line indicates the current value. The red line indicates the maximum value read since the last reset. The yellow line indicates the minimum value read since the last reset.
General Information	Displays MAX V version and current temperature of the FPGA and board.
Reset	Clears the graph, resets the minimum and maximum values, and restarts the Power Monitor.

The Clock Control

The Clock Control application set the three programmable oscillators to any frequency between 10 MHz and 810 MHz. The frequencies support eight digits of precision to the right of the decimal point.

The Clock Control communicates with the MAX V device on the board through the JTAG bus. The programmable oscillators are connected to the MAX V device through a 2-wire serial bus.

Figure 4-17: Si570 (X3) Tab



Control	Description
Serial Port Registers	Shows the current values from the Si570 registers for frequency configuration.
Target frequency (MHZ)	Allows you to specify the frequency of the clock. Legal values are between 10 and 810 MHz with eight digits of precision to the right of the decimal point. For example, 421.31259873 is possible within 100 parts per million (ppm). The Target frequency control works in conjunction with the Set New Freq control.
fxTAL	Shows the calculated internal fixed-frequency crystal, based on the serial port register values.
Default	Sets the frequency for the oscillator associated with the active tab back to its default value. This can also be accomplished by power cycling the board.

Control	Description
Set New Freq	Sets the programmable oscillator frequency for the selected clock to the value in the Target frequency control for the programmable oscillators. Frequency changes might take several milliseconds to take effect. You might see glitches on the clock during this time. Altera recommends resetting the FPGA logic after changing frequencies.

Each Si5338 tab for U26 and U14 display the same GUI controls for each clock generators. Each tab allows for separate control. The Si5338 is capable of synthesizing four independent user-programmable clock frequencies up to 350 MHz and select frequencies up to 710 MHz.

Figure 4-18: Si5338 (U26) Tab

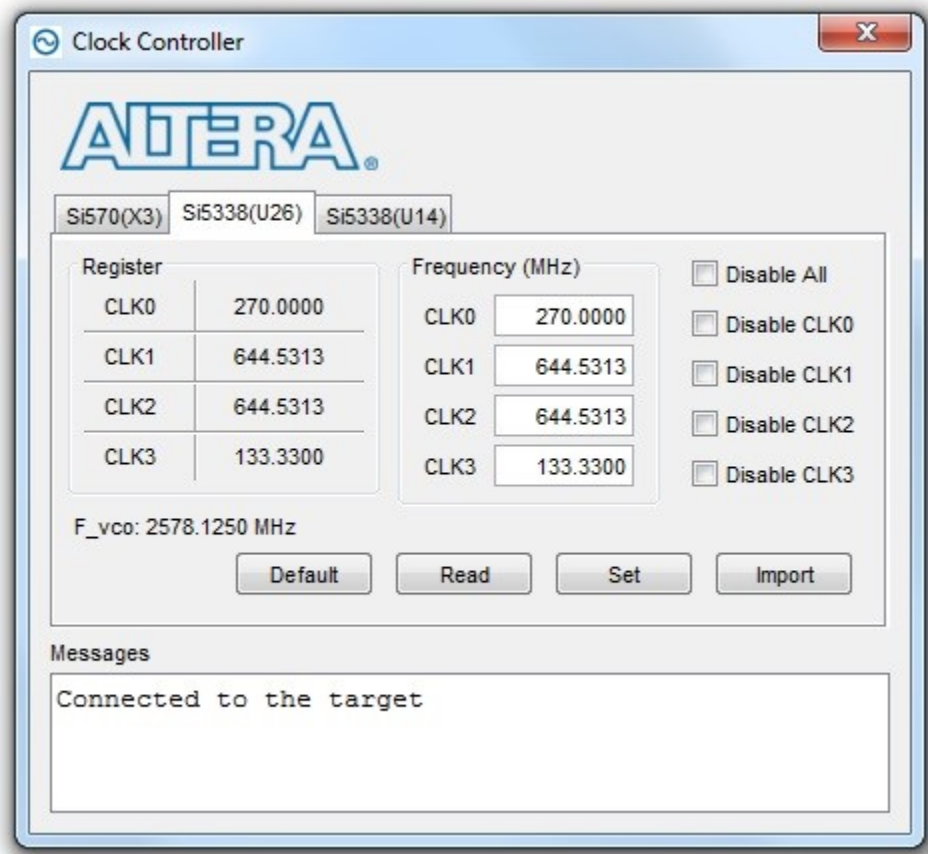
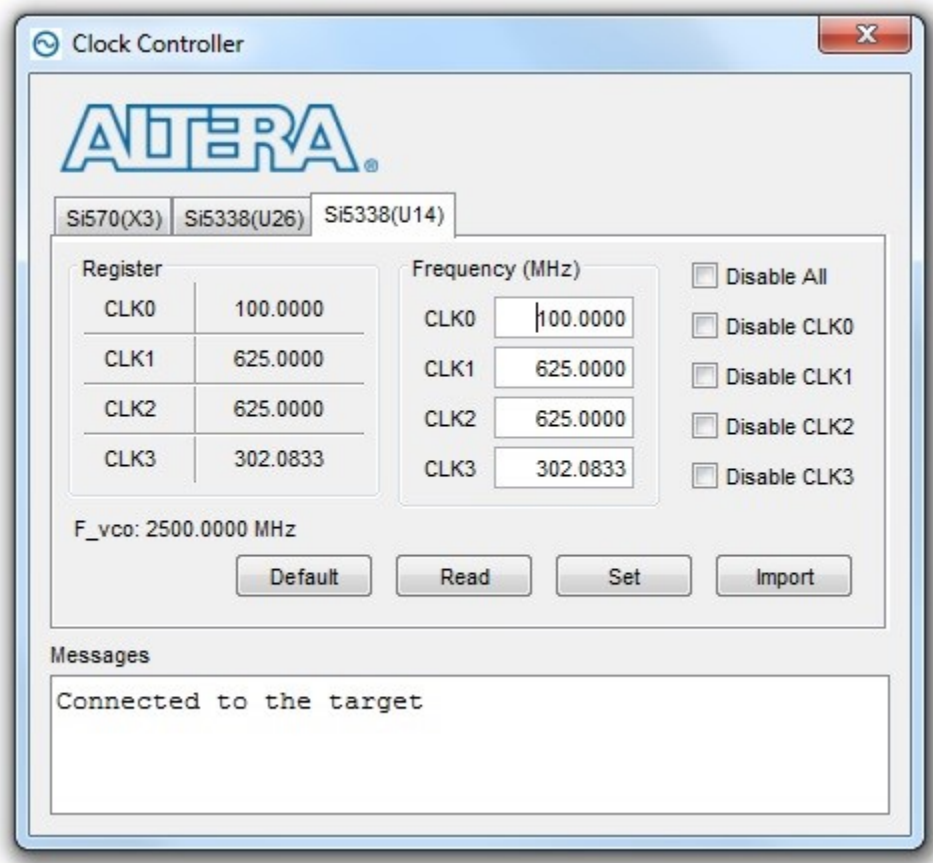


Figure 4-19: Si5338 (U14) Tab



Control	Description
F_vco	Displays the generating signal value of the voltage-controlled oscillator.
Registers	Display the current frequencies for each oscillator.
Frequency (MHz)	Allows you to specify the frequency of the clock.
Disable all	Disable all oscillators at once.
Read	Reads the current frequency setting for the oscillator associated with the active tab.
Default	Sets the frequency for the oscillator associated with the active tab back to its default value. This can also be accomplished by power cycling the board.
Set New Freq	Sets the programmable oscillator frequency for the selected clock to the value in the CLK0 to CLK3 controls for the Si5338 (U26 and U14). Frequency changes might take several milliseconds to take effect. You might see glitches on the clock during this time. Altera recommends resetting the FPGA logic after changing frequencies.
Import Reg Map	Import register map file generated from Silicon Laboratories ClockBuilder Desktop.

2021.03.19

UG-20007



Subscribe



Send Feedback

The Arria 10 GX FPGA Development Kit ships with the Board Update Portal design example stored in the factory portion of the flash memory. The design consists of a Nios II embedded processor, an Ethernet MAC, and an HTML web server.

When you power up the board with SW6.4 FACTORY_LOAD in the default position, the Arria 10 GX FPGA configures with the Board Update Portal design example. The design can obtain an IP address from any DHCP server and serve a web page from the flash on your board to any host computer on the same network. The web page allows you to upload new FPGA designs to the user portion of the flash memory and provides links to useful information on the Altera website, including kit-specific links and design resources.

After successfully updating the user flash memory, you can load the user design from the flash memory into the FPGA. To do so, set SW6.4 to OFF position and power cycle the board.

The source code for the Board Update Portal design resides in the `<package_dir>\examples\board_update_portal` directory. If the Board Update Portal is corrupted or deleted from the flash memory, refer to the “Factory Reset” section for information on how to restore the boards original factory contents.

Related Information

[Factory Reset](#) on page 3-10

Intel Corporation. All rights reserved. Intel, the Intel logo, Altera, Arria, Cyclone, Enpirion, MAX, Nios, Quartus and Stratix words and logos are trademarks of Intel Corporation or its subsidiaries in the U.S. and/or other countries. Intel warrants performance of its FPGA and semiconductor products to current specifications in accordance with Intel's standard warranty, but reserves the right to make changes to any products and services at any time without notice. Intel assumes no responsibility or liability arising out of the application or use of any information, product, or service described herein except as expressly agreed to in writing by Intel. Intel customers are advised to obtain the latest version of device specifications before relying on any published information and before placing orders for products or services.

*Other names and brands may be claimed as the property of others.

ISO
9001:2015
Registered

Connecting to the Board Update Portal Web Page

This section provides instructions to connect to the Board Update Portal web page. Before you proceed, ensure that you have the following:

- A PC with a connection to a working Ethernet port on a DHCP enabled network.
- A separate working Ethernet port connected to the same network for the board.
- The Ethernet cable, power cables, and development board that are included in the kit.

To connect to the Board Update Portal web page, perform these steps:

1. Install the latest Altera software tools, including the Quartus Prime software, Nios II processor and IP functions. If necessary, download the Quartus Prime Lite Edition software.
2. With the board powered down, set SW6.4 to the ON position.
3. Attach the Ethernet cable from the board to your LAN.
4. Power up the board. The board connects to the LAN's gateway router and obtains an IP address. The LCD on the board will display the IP address.
5. Launch a web browser on the PC that is connected to the same network, and enter the IP address from the LCD into the browser address bar. The Board Update Portal web page will appear in the browser.

You can click Arria 10 GX FPGA Development Kit on the Board Update Portal web page to access the kit's home page for documentation updates and additional new designs.

You can also navigate directly to the Arria 10 GX FPGA Development Kit page of the Altera website to determine if you have the latest kit software.

Related Information

- [Quartus Prime Software Page](#)
- [Arria 10 GX FPGA Development Kit Web Page](#)

Using the Board Update Portal to Update User Designs

The Board Update Portal allows you to write new designs to the user portion of the flash memory. Designs must be in the Nios II Flash Programmer File (**.flash**) format.

Design files available from the Arria 10 GX FPGA Development Kit page include **.flash** files. You can also create **.flash** files from your own custom designs.

To upload a design over the network into the user portion of the flash memory on your board, perform the following steps:

1. Perform the steps in “Connecting to the Board Update Portal Web Page” section to access the Board Update Portal web page.
2. In the **Hardware File Name** field specify the **.flash** file that you either downloaded from the Altera website or created on your own. If there is a software component to the design, specify it in the same manner using the **Software File Name** field or otherwise leave the field blank.
3. Click **Upload**. The progress bar indicates the percent complete. The file will take about 20 seconds to upload.
4. To configure the FPGA with the new design after the flash memory upload process is complete, set SW6.4 to the OFF position.

As long as you don't overwrite the factory image in the flash memory device, you can continue to use the Board Update Portal to write new designs to the user portion of the flash memory. If you do overwrite the factory image, you can restore it by following the instructions in the “Factory Reset” section.

Related Information

[Factory Reset](#) on page 3-10

2021.03.19

UG-20007



Subscribe



Send Feedback

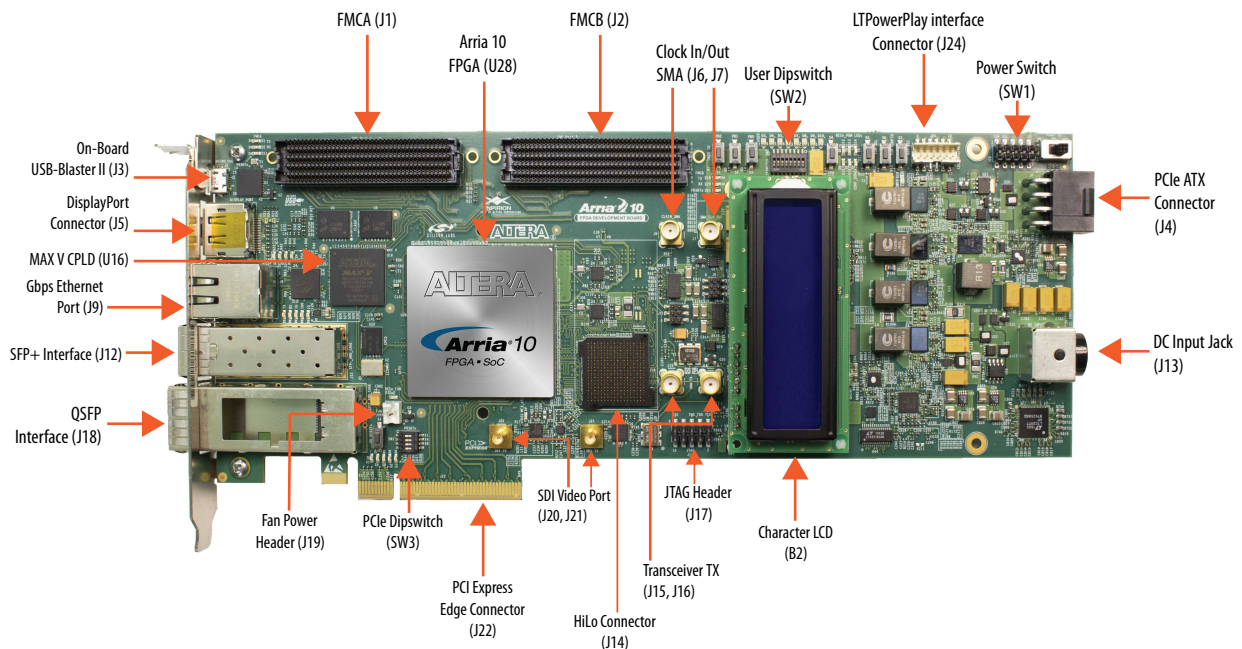
This chapter introduces all the important components on the development kit board.

A complete set of schematics, a physical layout database, and GERBER files for the development board reside in the development kit documents directory.

Board Overview

This section provides an annotated board image and the major component descriptions.

Figure 6-1: Overview of the Development Board Features (ES Edition)



Intel Corporation. All rights reserved. Intel, the Intel logo, Altera, Arria, Cyclone, Enpirion, MAX, Nios, Quartus and Stratix words and logos are trademarks of Intel Corporation or its subsidiaries in the U.S. and/or other countries. Intel warrants performance of its FPGA and semiconductor products to current specifications in accordance with Intel's standard warranty, but reserves the right to make changes to any products and services at any time without notice. Intel assumes no responsibility or liability arising out of the application or use of any information, product, or service described herein except as expressly agreed to in writing by Intel. Intel customers are advised to obtain the latest version of device specifications before relying on any published information and before placing orders for products or services.

*Other names and brands may be claimed as the property of others.

ISO
9001:2015
Registered



Figure 6-2: Overview of the Development Board Features

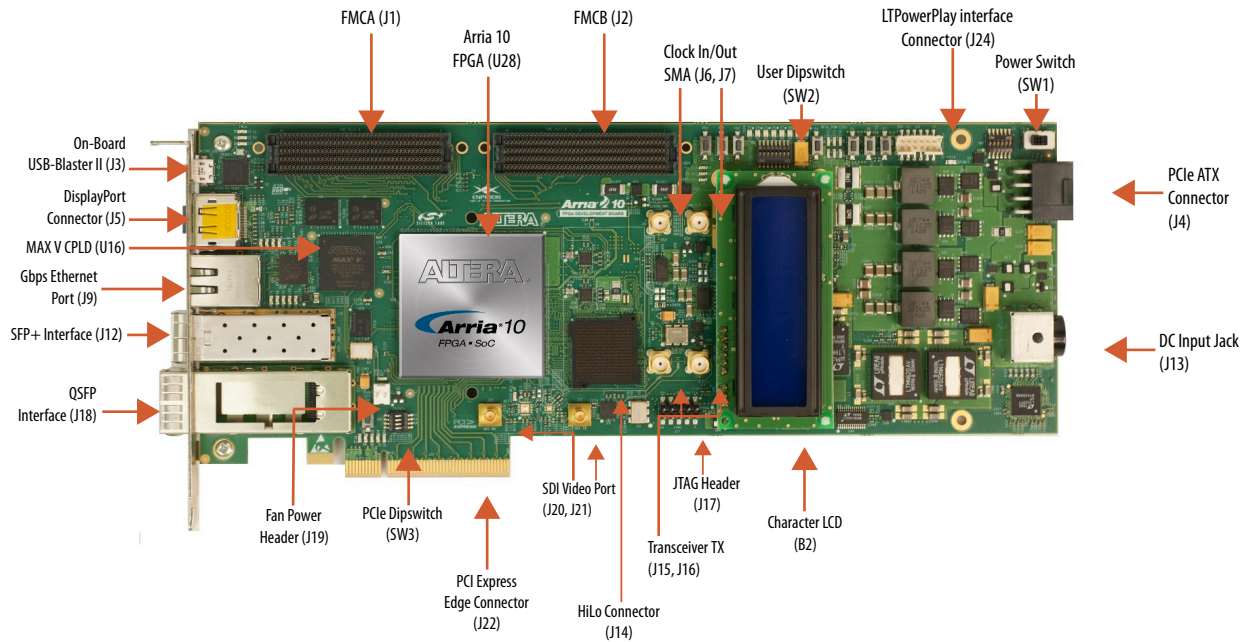


Table 6-1: Arria 10 GX FPGA Development Board Components

Board Reference	Type	Description
Featured Devices		
U28	FPGA	Arria 10 GX FPGA, 10AX115S2F45I1SG: <ul style="list-style-type: none"> Adaptive logic modules (ALMs): 427,200 LEs (K): 1,150 Registers: 1,708,800 M20K memory blocks: 2,713 Transceiver count: 96 Package Type: 1932 BGA
U16	CPLD	MAX V CPLD, 2210 LEs, 256FBGA 1.8V VCCINT
Board Reference	Type	Description
Configuration and Setup Elements		
J3	On-Board USB-Blaster II	Micro-USB 2.0 connector for programming and debugging the FPGA.
SW3	PCI Express Control DIP switch	Enables PCI Express link widths x1, x4, and x8.
SW4	JTAG Bypass DIP switch	Enables and disables devices in the JTAG chain. This switch is located on the back of the board.

Board Reference	Type	Description
Configuration and Setup Elements		
SW5	FPP Configuration DIP Switch	Sets the Arria 10 MSEL pins and VID_EN pin.
SW6	Board settings DIP switch	Controls the MAX V CPLD System Controller functions such as clock select, clock enable, factory or user design load from flash and FACTORY signal command sent at power up. This switch is located at the bottom of the board.
S4	CPU reset push button	The default reset for the FPGA logic.
S5	Image select push button	Toggles the configuration LEDs which selects the program image that loads from flash memory to the FPGA.
S6	Program configuration push button	Configures the FPGA from flash memory image based on the program LEDs.
S7	MAX V reset push button	The default reset for the MAX V CPLD System Controller.
Board Reference	Type	Description
Status Elements		
D22, D23	JTAG LEDs	Indicates transmit or receive activity of the JTAG chain. The TX and RX LEDs flicker if the link is in use and active.
D24, D25	System Console LEDs	Indicates the transmit or receive activity of the System Console USB interface. The TX and RX LEDs would flicker if the link is in use and active. The LEDs are either off when not in use or on when in use but idle.
D12, D13, D14	Program LEDs	Illuminates to show the LED sequence that determines which flash memory image loads to the FPGA when you press the program load push button.
D17	Configuration done LED	Illuminates when the FPGA is configured.
D15	Load LED	Illuminates during FPGA configuration.
D16	Error LED	Illuminates when the FPGA configuration from flash fails.
D19	Power LED	Illuminates when the board is powered on.
D32	Temperature LED	Illuminates when an over temperature condition occurs for the FPGA device. Ensure that an adequate heatsink/fan is properly installed..
D26, D27, D28, D29, D30	Ethernet LEDs	Shows the connection speed as well as transmit or receive activity.
D33	SDI Cable LED	Illuminates to show the transmit or receive activity.
D34, D35, D36, D37, D38	PCI Express link LEDs	You can configure these LEDs to display the PCI Express link width (x1, x4, x8) and data rate.

Board Reference	Type	Description
Status Elements		
D3, D4, D5, D6, D7, D8, D9, D10	User defined LEDs	Eight bi-color LEDs (green and red) for 16 user LEDs. Illuminates when driven low.
D1, D2, D11	FMCA LEDs	Illuminates for RX, TX, PRSNTn activity.
D18, D20, D21	FMCB LEDs	Illuminates for RX, TX, PRSNTn activity.
Board Reference	Type	Description
Clock Circuitry		
X1	SDI reference clock	SW6.3 DIP switch controlled: FS=0: 148.35 MHz FS=1: 148.50 MHz
X3	Programmable oscillator	Si570 programmable oscillator by the clock control GUI. Default is 100 MHz.
X2	125.0-MHz oscillator	125.0-MHz voltage controlled crystal oscillator for the Ethernet interface..
X4	50-MHz oscillator	50.000-MHz crystal oscillator for general purpose logic.
U26	Quad-output oscillator	Si5338 programmable oscillator for clock control GUI. (Defaults CLK[0:3] = 270MHz, 644.53125MHz, 644.53125MHz, 133.33MHz)
U14	Quad-output oscillator	Si5338 programmable oscillator for clock control GUI. (Defaults CLK[0:3] = 100MHz, 625MHz, 625MHz, 302.083333MHz)
J6	Clock input SMA connector	Signal: CLKIN_SMA
J7	Clock output SMA connector	Signal: SMA_CLK_OUT
J20, J21	SDI (Serial Digital Interface) transceiver connectors	Two sub-miniature version B (SMB) connectors. Drives serial data input/output to or from SDI video port.
Board Reference	Type	Description
Transceiver Interfaces		
J15	SMA connector	SMA_TX_N from the left transceiver bank - 1H
J16	SMA connector	SMA_TX_P from the left transceiver bank - 1H
Board Reference	Type	Description
General User Input/Output		
SW2	FPGA user DIP switch	Octal user DIP switches. When the switch is ON, a logic 0 is selected.
S1, S2, S3	General user push buttons	Three user push buttons. Driven low when pressed.
D3, D4, D5, D6, D7, D8, D9, D10	User defined LEDs	Eight bi-color user LEDs. Illuminates when driven low.

Board Reference	Type	Description
Memory Devices		
J14	HiLo Connector	One x72 memory interface supporting DDR3 (x72), DDR4 (x72), QDR4 (x36), and RLDRAM 3 (x36). This development kit includes three plugin modules (daughtercards) that use the HiLo connector: <ul style="list-style-type: none"> • DDR4 memory (x72) 1200 MHz • DDR3 memory (x72) 1066 MHz, Ping Pong PHY. • RLDRAM3 memory (x36) 1,200 MHz
U4, U5	Flash memory	ICS - 1GBIT STRATA FLASH, 16-BIT DATA, VCC=VCCQ=1.7V-2.0V, 64-BALL EASY BGA (10MM X 8MM)
Board Reference	Type	Description
Communication Ports		
J22	PCI Express x8 edge connector	Made of gold-plated edge fingers for up to ×8 signaling in either Gen1, Gen2, or Gen3 mode.
J1, J2	FMC Port	FPGA mezzanine card ports A and B.
J9	Gbps Ethernet RJ-45 connector	RJ-45 connector which provides a 10/100/1000 Ethernet connection via a Marvell 88E1111 PHY and the FPGA-based Altera Triple Speed Ethernet MAC MegaCore function in SGMII mode.
J18	QSFP interface	Provides four transceiver channels for a 40G QSFP module.
J12	SFP+ connector	SFP+ XCVR interface.
J3	Micro-USB connector	Embedded Altera USB-Blaster II JTAG for programming the FPGA via a USB cable.
Board Reference	Type	Description
Display Ports		
J5	DisplayPort connector	Molex 0.50mm pitch DisplayPort male receptacle, right angle, surface mount, 0.76µm gold plating, 20 circuits with cover.
B2	Character LCD	Connector which interfaces to the provided 16 character × 2 line LCD module.
J20, J21	SDI video port	Two sub-miniature version B (SMB) connectors that provide a full-duplex SDI interface.
Board Reference	Type	Description
Power Supply		
J22	PCI Express edge connector	Interfaces to a PCI Express root port such as an appropriate PC motherboard.

Board Reference	Type	Description
Power Supply		
J13	DC input jack	Accepts a 12-V DC power supply. Do not use this input jack while the board is plugged into a PCI Express slot.
SW1	Power Switch	Switch to power on or off the board when power is supplied from the DC input jack.
J4	PCIe 2x4 ATX power connector	12-V ATX input. This input must be connected when the board is plugged into a PCIe root port.

MAX V CPLD System Controller

The board utilizes the EPM2210 System Controller, an Altera MAX V CPLD, for the following purposes:

- FPGA configuration from flash memory
- Power consumption monitoring
- Temperature monitoring
- Fan control
- Control registers for clocks
- Control registers for remote update system

Table 6-2: MAX V CPLD System Controller Device Pin-Out

Schematic Signal Name	Pin Number	I/O Standard	Description
CLK125_EN	E9	2.5 V	125 MHz oscillator enable
CLK50_EN	J16	1.8 V	50 MHz oscillator enable
CLK_CONFIG	J5	1.8 V	Clock Configure
CLK_ENABLE	D4	2.5 V	Clock Enable
CLK_SEL	A2	2.5 V	Clock Select
CLOCK_I2C_SCL	C12	2.5 V	Serial clock line for I ² C
CLOCK_I2C_SDA	C10	2.5 V	Serial data line for I ² C
CPU_RESETN	K4	1.8 V	FPGA reset push button
FACTORY_LOAD	B5	2.5 V	DIP switch to load factory or user design at power-up
FLASH_ADV_N	N14	1.8 V	FSM bus flash memory address valid
FLASH_CEN0	D14	1.8 V	FSM bus flash memory chip enable

Schematic Signal Name	Pin Number	I/O Standard	Description
FLASH_CEN1	F11	1.8 V	FSM bus flash memory chip enable
FLASH_CLK	N15	1.8 V	FSM bus flash memory clock
FLASH_OEN	P14	1.8 V	FSM bus flash memory output enable
FLASH_RDYBSYN0	F12	1.8 V	FSM bus flash memory ready
FLASH_RDYBSYN1	P15	1.8 V	FSM bus flash memory ready
FLASH_RESETN	D13	1.8 V	FSM bus flash memory reset
FLASH_WEN	J1	1.8 V	FSM bus flash memory write enable
FM_A1	F15	1.8 V	FM address bus
FM_A2	G16	1.8 V	FM address bus
FM_A3	G15	1.8 V	FM address bus
FM_A4	H16	1.8 V	FM address bus
FM_A5	H15	1.8 V	FM address bus
FM_A6	F16	1.8 V	FM address bus
FM_A7	G14	1.8 V	FM address bus
FM_A8	D16	1.8 V	FM address bus
FM_A9	E15	1.8 V	FM address bus
FM_A10	E16	1.8 V	FM address bus
FM_A11	H14	1.8 V	FM address bus
FM_A12	D15	1.8 V	FM address bus
FM_A13	F14	1.8 V	FM address bus
FM_A14	C14	1.8 V	FM address bus
FM_A15	C15	1.8 V	FM address bus

Schematic Signal Name	Pin Number	I/O Standard	Description
FM_A16	H3	1.8 V	FM address bus
FM_A17	H2	1.8 V	FM address bus
FM_A18	E13	1.8 V	FM address bus
FM_A19	F13	1.8 V	FM address bus
FM_A20	G13	1.8 V	FM address bus
FM_A21	G12	1.8 V	FM address bus
FM_A22	E12	1.8 V	FM address bus
FM_A23	J13	1.8 V	FM address bus
FM_A24	G5	1.8 V	FM address bus
FM_A25	H13	1.8 V	FM address bus
FM_A26	H4	1.8 V	FM address bus
FM_D0	J15	1.8 V	FM data bus
FM_D1	L16	1.8 V	FM data bus
FM_D2	L14	1.8 V	FM data bus
FM_D3	K14	1.8 V	FM data bus
FM_D4	L13	1.8 V	FM data bus
FM_D5	L15	1.8 V	FM data bus
FM_D6	M15	1.8 V	FM data bus
FM_D7	M16	1.8 V	FM data bus
FM_D8	K16	1.8 V	FM data bus
FM_D9	K15	1.8 V	FM data bus
FM_D10	J14	1.8 V	FM data bus
FM_D11	K13	1.8 V	FM data bus
FM_D12	L12	1.8 V	FM data bus

Schematic Signal Name	Pin Number	I/O Standard	Description
FM_D13	N16	1.8 V	FM data bus
FM_D14	M13	1.8 V	FM data bus
FM_D15	L11	1.8 V	FM data bus
FM_D16	E4	1.8 V	FM data bus
FM_D17	F6	1.8 V	FM data bus
FM_D18	F4	1.8 V	FM data bus
FM_D19	C2	1.8 V	FM data bus
FM_D20	D1	1.8 V	FM data bus
FM_D21	F1	1.8 V	FM data bus
FM_D22	E3	1.8 V	FM data bus
FM_D23	G2	1.8 V	FM data bus
FM_D24	E5	1.8 V	FM data bus
FM_D25	C3	1.8 V	FM data bus
FM_D26	D3	1.8 V	FM data bus
FM_D27	D2	1.8 V	FM data bus
FM_D28	E1	1.8 V	FM data bus
FM_D29	G3	1.8 V	FM data bus
FM_D30	F3	1.8 V	FM data bus
FM_D31	F2	1.8 V	FM data bus
FMCA_C2M_PG	R16	1.8 V	FMC port A power good output
FMCA_PRSENTN	G1	1.8 V	Green LED. Illuminates when the FMC port has a board or cable plugged-in. Driven by the add-in card.
FMCB_C2M_PG	L5	1.8 V	FMC port B power good output

Schematic Signal Name	Pin Number	I/O Standard	Description
FMCB_PRSENTN	E2	1.8 V	Green LED. Illuminates when the FMC port has a board or cable plugged-in. Driven by the add-in card.
FPGA_CONF_DONE	K1	1.8 V	FPGA configuration done LED
FPGA_CONFIG_D0	R1	1.8 V	FPGA configuration data
FPGA_CONFIG_D1	T2	1.8 V	FPGA configuration data
FPGA_CONFIG_D2	N6	1.8 V	FPGA configuration data
FPGA_CONFIG_D3	N5	1.8 V	FPGA configuration data
FPGA_CONFIG_D4	N7	1.8 V	FPGA configuration data
FPGA_CONFIG_D5	N8	1.8 V	FPGA configuration data
FPGA_CONFIG_D6	M12	1.8 V	FPGA configuration data
FPGA_CONFIG_D7	T13	1.8 V	FPGA configuration data
FPGA_CONFIG_D8	T15	1.8 V	FPGA configuration data
FPGA_CONFIG_D9	R13	1.8 V	FPGA configuration data
FPGA_CONFIG_D10	P4	1.8 V	FPGA configuration data
FPGA_CONFIG_D11	R3	1.8 V	FPGA configuration data
FPGA_CONFIG_D12	T10	1.8 V	FPGA configuration data
FPGA_CONFIG_D13	P5	1.8 V	FPGA configuration data

Schematic Signal Name	Pin Number	I/O Standard	Description
FPGA_CONFIG_D14	R4	1.8 V	FPGA configuration data
FPGA_CONFIG_D15	R5	1.8 V	FPGA configuration data
FPGA_CONFIG_D16	M8	1.8 V	FPGA configuration data
FPGA_CONFIG_D17	M7	1.8 V	FPGA configuration data
FPGA_CONFIG_D18	T5	1.8 V	FPGA configuration data
FPGA_CONFIG_D19	P9	1.8 V	FPGA configuration data
FPGA_CONFIG_D20	M6	1.8 V	FPGA configuration data
FPGA_CONFIG_D21	N9	1.8 V	FPGA configuration data
FPGA_CONFIG_D22	R8	1.8 V	FPGA configuration data
FPGA_CONFIG_D23	T8	1.8 V	FPGA configuration data
FPGA_CONFIG_D24	P7	1.8 V	FPGA configuration data
FPGA_CONFIG_D25	R7	1.8 V	FPGA configuration data
FPGA_CONFIG_D26	R9	1.8 V	FPGA configuration data
FPGA_CONFIG_D27	T9	1.8 V	FPGA configuration data
FPGA_CONFIG_D28	T7	1.8 V	FPGA configuration data
FPGA_CONFIG_D29	P8	1.8 V	FPGA configuration data

Schematic Signal Name	Pin Number	I/O Standard	Description
FPGA_CONFIG_D30	R6	1.8 V	FPGA configuration data
FPGA_CONFIG_D31	P6	1.8 V	FPGA configuration data
FPGA_CVP_CONFDONE	M14	1.8 V	FPGA Configuration via Protocol (CvP) done
FPGA_DCLK	M9	1.8 V	FPGA configuration clock
FPGA_NCONFIG	E14	1.8 V	FPGA configuration active
FPGA_NSTATUS	J4	1.8 V	FPGA configuration ready
FPGA_PR_DONE	H12	1.8 V	FPGA partial reconfiguration done
FPGA_PR_ERROR	K12	1.8 V	FPGA partial reconfiguration error
FPGA_PR_READY	P12	1.8 V	FPGA partial reconfiguration ready
FPGA_PR_REQUEST	T4	1.8 V	FPGA partial reconfiguration request
M5_JTAG_TCK	P3	1.8 V	JTAG chain clock
M5_JTAG_TDI	L6	1.8 V	JTAG chain data in
M5_JTAG_TDO	M5	1.8 V	JTAG chain data out
M5_JTAG_TMS	N4	1.8 V	JTAG chain mode
MAX5_BEN0	R10	1.8 V	MAX V Byte Enable 0
MAX5_BEN1	M10	1.8 V	MAX V Byte Enable 1
MAX5_BEN2	T12	1.8 V	MAX V Byte Enable 2
MAX5_BEN3	P10	1.8 V	MAX V Byte Enable 3
MAX5_CLK	N11	1.8 V	MAX V Clock
MAX5_CSN	T11	1.8 V	MAX V chip select
MAX5_OEN	N10	1.8 V	MAX V output enable

Schematic Signal Name	Pin Number	I/O Standard	Description
MAX5_WEN	R11	1.8 V	MAX V Write enable
MAX_CONF_DONE	D7	2.5 V	On-board USB-Blaster II configuration done LED
MAX_ERROR	C7	2.5 V	FPGA configuration error LED
MAX_LOAD	B6	2.5 V	FPGA configuration active LED
MAX_RESETN	J3	1.8 V	MAX V reset push button
MSEL0	R12	1.8 V	FPGA MSEL0 setting
MSEL1	P11	1.8 V	FPGA MSEL1 setting
MSEL2	M11	1.8 V	FPGA MSEL2 setting
MV_CLK_50	J12	1.8 V	MAX V 50 MHz clock
OVERTEMP	E11	2.5 V	Temperature monitor fan enable
OVERTEMPN	B16	2.5 V	Temperature monitor fan enable
PGM_CONFIG	A6	2.5 V	Load the flash memory image identified by the PGM LEDs
PGM_LED0	D6	2.5 V	Flash memory PGM select indicator 0
PGM_LED1	C6	2.5 V	Flash memory PGM select indicator 1
PGM_LED2	B7	2.5 V	Flash memory PGM select indicator 2
PGM_SEL	A7	2.5 V	Toggles the PGM_LED[2:0] LED sequence
SDI_MF0_BYPASS	P13	1.8 V	SDI Interface Mode Select 0 / Bypass control
SDI_MF1_AUTO_SLEEP	R14	1.8 V	SDI Interface Mode Select 1 / Auto Sleep Control
SDI_MF2_MUTE	N12	1.8 V	SDI Interface Mode Select 2 / Output Mute
SDI_TX_SD_HDN	N13	1.8 V	SDI Interface TX Signal Detect
SENSE_CS0N	D9	2.5 V	SPI Interface Chip Select
SENSE_SCK	B9	2.5 V	SPI Interface Clock

Schematic Signal Name	Pin Number	I/O Standard	Description
SENSE_SDI	B3	2.5 V	SPI Interface Serial Data In
SENSE_SDO	C9	2.5 V	SPI Interface Serial Data Out
SENSE_SMB_CLK	A15	2.5 V	I ₂ C Interface Clock
SENSE_SMB_DATA	B13	2.5 V	I ₂ C Interface Data
SI516_FS	C5	2.5 V	Silicon Labs SI516 Clock Device Frequency Select
SI570_EN	A10	2.5 V	Si570 programmable clock enable
TSENSE_ALERTN	B14	2.5 V	MAX1619 device Temperature Sense Alert Signal
USB_CFG0	M4	1.8 V	On-board USB-Blaster II interface (reserved for future use)
USB_CFG1	M3	1.8 V	On-board USB-Blaster II interface (reserved for future use)
USB_CFG2	K2	1.8 V	On-board USB-Blaster II interface (reserved for future use)
USB_CFG3	K5	1.8 V	On-board USB-Blaster II interface (reserved for future use)
USB_CFG4	L1	1.8 V	On-board USB-Blaster II interface (reserved for future use)
USB_CFG5	L2	1.8 V	On-board USB-Blaster II interface (reserved for future use)
USB_CFG6	K3	1.8 V	On-board USB-Blaster II interface (reserved for future use)
USB_CFG7	M2	1.8 V	On-board USB-Blaster II interface (reserved for future use)
USB_CFG8	L4	1.8 V	On-board USB-Blaster II interface (reserved for future use)

Schematic Signal Name	Pin Number	I/O Standard	Description
USB_CFG9	L3	1.8 V	On-board USB-Blaster II interface (reserved for future use)
USB_CFG10	N1	1.8 V	On-board USB-Blaster II interface (reserved for future use)
USB_CFG11	N2	1.8 V	On-board USB-Blaster II interface (reserved for future use)
USB_CFG12	M1	1.8 V	On-board USB-Blaster II interface (reserved for future use)
USB_CFG13	N3	1.8 V	On-board USB-Blaster II interface (reserved for future use)
USB_CFG14	P2	1.8 V	On-board USB-Blaster II interface (reserved for future use)
USB_M5_CLK	H5	1.8 V	On-board USB-Blaster II interface clock
ED8101_ALERT	B8	2.5 V	ED8101 Alert signal
ED8101_SCL	A8	2.5 V	ED8101 I2C clock signal
ED8101_SDA	A9	2.5 V	ED8101 I2C data signal

FPGA Configuration

Configuring the FPGA Using Programmer

You can use the Quartus Programmer to configure the FPGA with your SRAM Object File (.sof).

Ensure the following:

- The Quartus Programmer and the USB-Blaster II driver are installed on the host computer.
- The micro-USB cable is connected to the FPGA development board.
- Power to the board is on, and no other applications that use the JTAG chain are running.

1. Start the Quartus Programmer.
2. Click **Auto Detect** to display the devices in the JTAG chain.
3. Click **Change File** and select the path to the desired .sof.
4. Turn on the **Program/Configure** option for the added file.
5. Click **Start** to download the selected file to the FPGA. Configuration is complete when the progress bar reaches 100%.

Using the Quartus Programmer to configure a device on the board causes other JTAG-based applications such as the Board Test System and the Power Monitor to lose their connection to the board. Restart those applications after configuration is complete.

Status Elements

The Arria 10 GX FPGA development board includes status LEDs.

Table 6-3: Board-Specific LEDs

Board Reference	Schematic Signal Name	I/O Standard
D16	MAX_ERROR	2.5 V
D15	MAX_LOAD	2.5 V
D17	MAX_CONF_DONE	2.5 V
D1	FMCA_TX_LED	1.8 V
D2	FMCA_RX_LED	1.8 V
D12	PGM_LED0	2.5 V
D13	PGM_LED1	2.5 V
D14	PGM_LED2	2.5 V
D11	FMCA_PRSENTn	1.8 V
D18	FMCB_TX_LED	1.8 V
D20	FMCB_RX_LED	1.8 V
D21	FMCB_PRSENTn	1.8 V
D34	PCIE_LED_X1	1.8 V
D35	PCIE_LED_X4	1.8 V
D36	PCIE_LED_X8	1.8 V
D37	PCIE_LED_G2	1.8 V
D38	PCIE_LED_G3	1.8 V

User Input/Output

User-Defined Push Buttons

The Arria 10 GX FPGA development board includes user-defined push buttons. When you press and hold down the button, the device pin is set to logic 0; when you release the button, the device pin is set to logic 1. There are no board-specific functions for these general user push buttons.

Table 6-4: User-Defined Push Button Schematic Signal Names and Functions

Board Reference	Schematic Signal Name	FPGA Pin Number	I/O Standard
S1	USER_PB2	U11	1.8 V
S2	USER_PB1	U12	1.8 V
S3	USER_PB0	T12	1.8 V
S4	CPU_RESETh	BD27	1.8 V
S5	PGM_SEL	—	2.5 V
S6	PGM_CONFIG	—	2.5 V
S7	MAX_RESETh	—	2.5 V

User-Defined DIP Switch

The Arria 10 GX FPGA development board includes a set of eight-pin DIP switch. There are no board-specific functions for these switches. When the switch is in the OFF position, a logic 1 is selected. When the switch is in the ON position, a logic 0 is selected.

Table 6-5: User-Defined DIP Switch Schematic Signal Names and Functions

Board Reference	Schematic Signal Name	FPGA Pin Number	I/O Standard
1	USER_DIPSW0	A24	1.8-V
2	USER_DIPSW1	B23	1.8-V
3	USER_DIPSW2	A23	1.8-V
4	USER_DIPSW3	B22	1.8-V
5	USER_DIPSW4	A22	1.8-V
6	USER_DIPSW5	B21	1.8-V

Board Reference	Schematic Signal Name	FPGA Pin Number	I/O Standard
7	USER_DIPSW6	C21	1.8-V
8	USER_DIPSW7	A20	1.8-V

User-Defined LEDs

The Arria 10 GX FPGA development board includes a set of eight pairs user-defined LEDs. The LEDs illuminate when a logic 0 is driven, and turns off when a logic 1 is driven. There are no board-specific functions for these LEDs.

Table 6-6: User-Defined LEDs Schematic Signal Names and Functions

Board Reference	Schematic Signal Name	FPGA Pin Number	I/O Standard
D10	USER_LED_G0	L28	1.8 V
D9	USER_LED_G1	K26	1.8 V
D8	USER_LED_G2	K25	1.8 V
D7	USER_LED_G3	L25	1.8 V
D6	USER_LED_G4	J24	1.8 V
D5	USER_LED_G5	A19	1.8 V
D4	USER_LED_G6	C18	1.8 V
D3	USER_LED_G7	D18	1.8 V
D10	USER_LED_R0	L27	1.8 V
D9	USER_LED_R1	J26	1.8 V
D8	USER_LED_R2	K24	1.8 V
D7	USER_LED_R3	L23	1.8 V
D6	USER_LED_R4	B20	1.8 V
D5	USER_LED_R5	C19	1.8 V
D4	USER_LED_R6	D19	1.8 V
D3	USER_LED_R7	M23	1.8 V

Character LCD

The Arria 10 GX FPGA development board includes a single 10-pin 0.1" pitch single-row header that interfaces to a 16 character × 2 line Lumex LCD display. The LCD has a 10-pin receptacle that mounts directly to the board's 10-pin header, so it can be easily removed for access to components under the display. You can also use the header for debugging or other purposes.

Table 6-7: Character LCD Schematic Signal Names and Functions

Board Reference	Schematic Signal Name	FPGA Pin Number	I/O Standard	Description
5	SPI_SS_ DISP / DISP_ SPISS	BA35	1.8 V	SPI slave select (only used in SPI mode)
7	I2C_SCL_ DISP / DISP_ I2C_SCL	AW33	1.8 V	I ² C LCD serial clock
8	I2C_SDA_ DISP / DISP_ I2C_SDA	AY34	1.8 V	I ² C LCD serial data

DisplayPort

The Arria 10 GX FPGA development board includes a DisplayPort connector.

Table 6-8: DisplayPort Schematic Signal Names and Functions

Board Reference	Schematic Signal Name	FPGA Pin Number	I/O Standard	Description
13	DP_3P3V_CONFIG1	AK31	1.8 V	—
14	DP_3P3V_CONFIG2	AK32	1.8 V	—
18	DP_3P3V_HOT_PLUG	AM30	1.8 V	Hot plug detect
17	DP_AUX_CN	AM35	LVDS	Auxiliary channel (negative)
15	DP_AUX_CP	AN34	LVDS	Auxiliary channel (positive)
3	DP_ML_LANE_CN0	AP43	High Speed Differential I/O	Lane 0 (negative)
6	DP_ML_LANE_CN1	AM43	High Speed Differential I/O	Lane 1 (negative)
9	DP_ML_LANE_CN2	AH43	High Speed Differential I/O	Lane 2 (negative)
12	DP_ML_LANE_CN3	AF43	High Speed Differential I/O	Lane 3 (negative)
1	DP_ML_LANE_CP0	AP44	High Speed Differential I/O	Lane 0 (positive)
4	DP_ML_LANE_CP1	AM44	High Speed Differential I/O	Lane 1 (positive)
7	DP_ML_LANE_CP2	AH44	High Speed Differential I/O	Lane 2 (positive)
10	DP_ML_LANE_CP3	AF44	High Speed Differential I/O	Lane 3 (positive)
19	DP_RTN	AL33	High Speed Differential I/O	Return for power

SDI Video Input/Output Ports

The Arria 10 GX FPGA development board includes a SDI video port, which consists of a M23428G-33 cable driver and a M23544G-14 cable equalizer. The PHY devices from Macom interface to single-ended SMB connectors.

The cable driver supports operation from 125 Mbps to 11.88 Gbps. Control signals are allowed for SD and HD modes selections, as well as device enable. The device can be clocked by the 148.5 MHz voltage-controlled crystal oscillator (VCXO) and matched to incoming signals within 50 ppm using the UP and DN voltage control lines to the VCXO.

Table 6-9: SDI Video Output Standards for the SD and HD Input

SD_HD Input	Supported Output Standards	Rise Time
0	SMPTE 424M, SMPTE 292M	Faster
1	SMPTE 259M	Slower

Table 6-10: SDI Video Output Interface Pin Assignments, Schematic Signal Names, and Functions

Board Reference	Schematic Signal Name	FPGA Pin Number	I/O Standard
14	SDI_AVDD	—	—
2	SDI_AVDD	—	—
7	SDI_AVDD	—	—
9	SDI_SD_HDN	AW34	1.8 V
5	SDI_TX_RSET	—	—
1	SDI_TXCAP_N	D43	High Speed Differential I/O
16	SDI_TXCAP_P	D44	High Speed Differential I/O
10	SDI_TXDRV_N	—	—
11	SDI_TXDRV_P	—	—

Table 6-11: SDI Cable Equalizer Lengths

The cable equalizer supports operation at 270 Mbit SD, 1.5 Gbit HD, and 3.0, 6.0, and 11.88 Gbit dual-link HD modes. Control signals are allowed for bypassing or disabling the device, as well as a carrier detect or auto-mute signal interface.

Cable Type	Data Rate (Mbps)	Maximum Cable Length (m)
Belden 1694A	270	400

Cable Type	Data Rate (Mbps)	Maximum Cable Length (m)
Belden 1694A	1485	140
Belden 1694A	2970	120

Table 6-12: SDI Video Input Interface Pin Assignments, Schematic Signal Names, and Functions

Board Reference	Schematic Signal Name	FPGA Pin Number	I/O Standard
9	AGCN	—	—
8	AGXP	—	—
10	MF0_BYPASS	AW32	1.8 V
19	MF1_AUTO_SLEEP	AY32	1.8 V
21	MF2_MUTE	AY35	1.8 V
22	MF3_XSD	—	—
6	MODE_SEL	—	—
11	MUTEREF	—	—
4	SDI_EQIN_N1	—	—
3	SDI_EQIN_P1	—	—
14	SDO_N / SDI_RX_N	H39	High Speed Differential I/O
15	SDO_P / SDI_RX_P	H40	High Speed Differential I/O

Clock Circuitry

On-Board Oscillators

Figure 6-3: Arria 10 GX FPGA Kit Board Clock Inputs and Default Frequencies

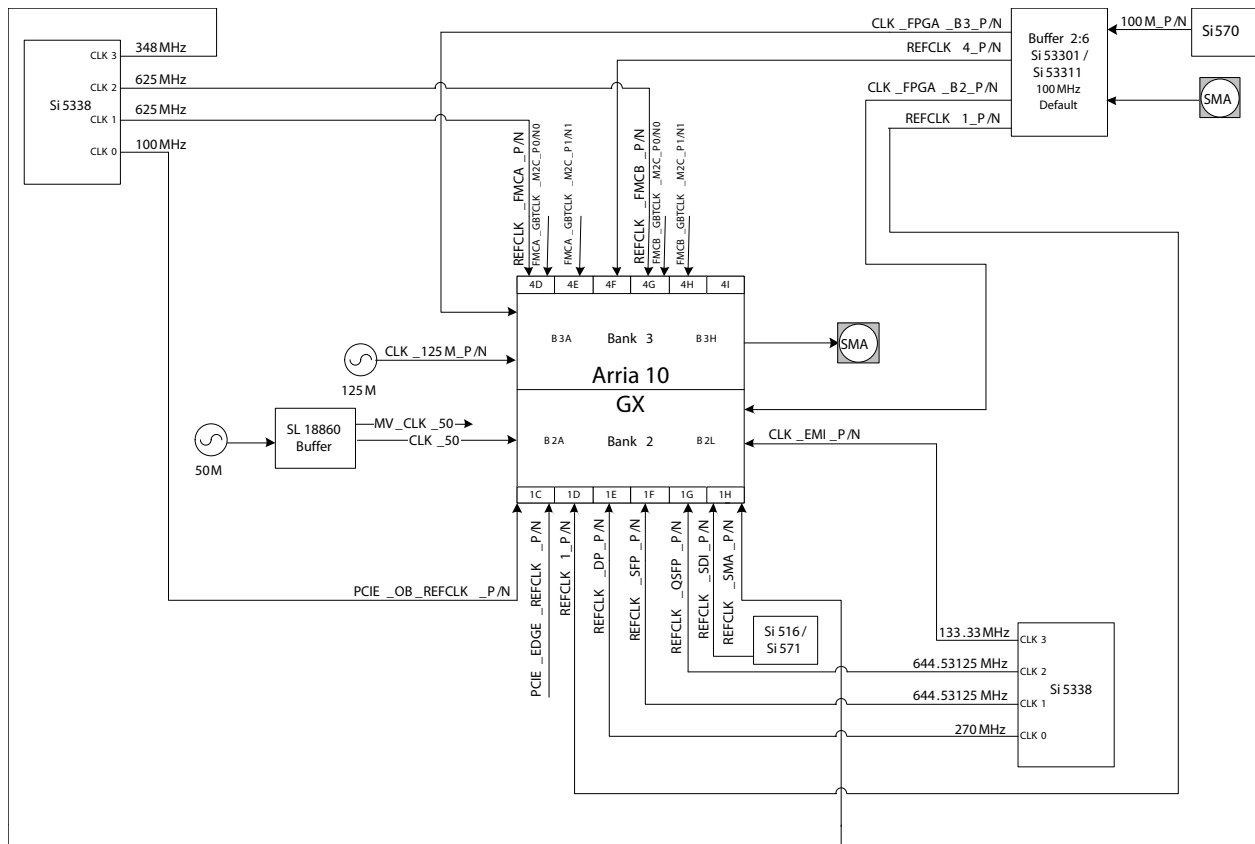


Table 6-13: On-Board Oscillators

Source	Schematic Signal Name	Frequency	I/O Standard	Arria 10 FPGA Pin Number	Application
U14	REFCLK_SMA_P	302.083333 MHz	1.8 V LVDS	N37	Transceiver reference clocks Bank-1H
	REFCLK_SMA_N		1.8 V LVDS	N38	
	REFCLK_FMCB_P	625 MHz	1.8 V LVDS	AA8	FMC B reference clocks
	REFCLK_FMCB_N		1.8 V LVDS	AA7	
	REFCLK_FMCA_P	625 MHz	1.8 V LVDS	AN8	FMC A reference clocks
	REFCLK_FMCA_N		1.8 V LVDS	AN7	
	PCIE_OB_REFCLK_P	100 MHz	1.8 V LVDS	AN37	PCIE reference clocks
PCIE_OB_REFCLK_N	1.8 V LVDS		AN38		
U26	CLK_EMI_P	133.33 MHz	1.8 V LVDS	F34	EMI reference clocks
	CLK_EMI_N		1.8 V LVDS	F35	
	REFCLK_QSFP_P	644.53125 MHz	1.8 V LVDS	R37	QSFP reference clocks
	REFCLK_QSFP_N		1.8 V LVDS	R38	
	REFCLK_SFP_P	644.53125 MHz	1.8 V LVDS	AA37	SFP reference clocks
	REFCLK_SFP_N		1.8 V LVDS	AA38	
	REFCLK_DP_P	270 MHz	1.8 V LVDS	AC37	Display port (DP) reference clocks
REFCLK_DP_N	1.8 V LVDS		AC38		
X1	REFCLK_SDI_P	148.35 MHz	2.5 V	L37	SDI reference clocks
	REFCLK_SDI_N		2.5 V	L38	
X2	CLK_125_P	125 MHz	2.5 V	BD24	125 MHz reference clocks for Arria 10 FPGA
	CLK_125_N		2.5 V	BC24	
X3	100M_OSC_P	100 MHz	LVDS	AR36, F23, AG37, AC8	Programmable Oscillator default 100MHz
	100M_OSC_N		LVDS	AR37, G23, AG38, AC7	
U53	MV_CLK_50	50 MHz	1.8 V	-	MAX V System Controller clock
	CLK_50		1.8 V	AU33	Arria 10 FPGA reference clock

Off-Board Clock I/O

The development board has input and output clocks which can be driven onto the board. The output clocks can be programmed to different levels and I/O standards according to the FPGA device's specification.

Table 6-14: Off-Board Clock Inputs

Source	Schematic Signal Name	I/O Standard	Arria 10 FPGA Pin Number	Description
J6	CLKIN_SMA	2.5 V	-	SMA clock input

Table 6-15: Off-Board Clock Outputs

Source	Schematic Signal Name	I/O Standard	Arria 10 FPGA Pin Number	Description
J7	SMA_CLK_OUT	1.8 V	E24	SMA clock output
J16	SMA_TX_P	1.8 V	C42	SMA transfer clocks
J15	SMA_TX_N	1.8 V	C41	

Components and Interfaces

This section describes the development board's communication ports and interface cards relative to the Arria 10 GX FPGA device.

PCI Express

The Arria 10 GX FPGA development board is designed to fit entirely into a PC motherboard with a $\times 8$ PCI Express slot that can accommodate a full height long form factor add-in card. This interface uses the Arria 10 GX FPGA's PCI Express hard IP block, saving logic resources for the user logic application. The PCI express edge connector has a presence detect feature to allow the motherboard to determine if a card is installed.

The PCI Express interface supports auto-negotiating channel width from $\times 1$ to $\times 4$ to $\times 8$ by using Altera's PCIe MegaCore IP. You can also configure this board to a $\times 1$, $\times 4$, or $\times 8$ interface through a DIP switch that connects the PRSNTn pins for each bus width.

The PCI Express edge connector has a connection speed of 2.5 Gbps/lane for a maximum of 20 Gbps full-duplex (Gen1), 5.0 Gbps/lane for a maximum of 40 Gbps full-duplex (Gen2), or 8.0 Gbps/lane for a maximum of 64 Gbps full-duplex (Gen3).

The power for the board can be sourced entirely from the PC host when installed into a PC motherboard with the PC's 2x4 ATX auxiliary power connected to the 12V ATX input (J4) of the Arria 10 development board. Although the board can also be powered by a laptop power supply for use on a lab bench, Altera recommends that you do not power up from both supplies at the same time. Ideal diode power sharing devices have been designed into this board to prevent damages or back-current from one supply to the other.

The PCIE_REFCLK_P signal is a 100 MHz differential input that is driven from the PC motherboard on to this board through the edge connector. This signal connects directly to a Arria 10 GX FPGA REFCLK input pin pair using DC coupling. This clock is terminated on the motherboard and therefore, no on-board termination is required. This clock can have spread-spectrum properties that change its period between 9.847 ps to 10.203 ps. The I/O standard is High-Speed Current Steering Logic (HCSL). The JTAG and SMB are optional signals in the PCI Express specification. Therefore, the JTAG signal loopback from PCI Express TDI to PCI Express TDO and are not used on this board. The SMB signals are wired to the Arria 10 GX FPGA but are not required for normal operation.

Table 6-16: PCI Express Pin Assignments, Schematic Signal Names, and Functions

Receive bus	Receive bus	FPGA Pin Number	I/O Standard	Description
A11	PCIE_EDGE_PERSTN	BC30	1.8 V	Reset
A14	PCIE_EDGE_REFCLK_N	AL38	LVDS	Motherboard reference clock
A13	PCIE_EDGE_REFCLK_P	AL37	LVDS	Motherboard reference clock
B5	PCIE_EDGE_SMBCLK	BD29	1.8 V	SMB clock

Receive bus	Receive bus	FPGA Pin Number	I/O Standard	Description
B6	PCIE_EDGE_SMBDAT	AU37	1.8 V	SMB data
A1	PCIE_PRSNT1N	—	—	Link with DIP switch
B17	PCIE_PRSNT2N_X1	—	—	Link with DIP switch
B31	PCIE_PRSNT2N_X4	—	—	Link with DIP switch
B48	PCIE_PRSNT2N_X8	—	—	Link with DIP switch
B15	PCIE_RX_N0	AT39	High Speed Differential I/O	Receive bus
B20	PCIE_RX_N1	AP39	High Speed Differential I/O	Receive bus
B24	PCIE_RX_N2	AN41	High Speed Differential I/O	Receive bus
B28	PCIE_RX_N3	AM39	High Speed Differential I/O	Receive bus
B34	PCIE_RX_N4	AL41	High Speed Differential I/O	Receive bus
B38	PCIE_RX_N5	AK39	High Speed Differential I/O	Receive bus
B42	PCIE_RX_N6	AJ41	High Speed Differential I/O	Receive bus
B46	PCIE_RX_N7	AH39	High Speed Differential I/O	Receive bus
B14	PCIE_RX_P0	AT40	High Speed Differential I/O	Receive bus
B19	PCIE_RX_P1	AP40	High Speed Differential I/O	Receive bus
B23	PCIE_RX_P2	AN42	High Speed Differential I/O	Receive bus

Receive bus	Receive bus	FPGA Pin Number	I/O Standard	Description
B27	PCIE_RX_P3	AM40	High Speed Differential I/O	Receive bus
B33	PCIE_RX_P4	AL42	High Speed Differential I/O	Receive bus
B37	PCIE_RX_P5	AK40	High Speed Differential I/O	Receive bus
B41	PCIE_RX_P6	AJ42	High Speed Differential I/O	Receive bus
B45	PCIE_RX_P7	AH40	High Speed Differential I/O	Receive bus
A17	PCIE_TX_CN0	BB43	High Speed Differential I/O	Transmit bus
A22	PCIE_TX_CN1	BA41	High Speed Differential I/O	Transmit bus
A26	PCIE_TX_CN2	AY43	High Speed Differential I/O	Transmit bus
A30	PCIE_TX_CN3	AW41	High Speed Differential I/O	Transmit bus
A36	PCIE_TX_CN4	AV43	High Speed Differential I/O	Transmit bus
A40	PCIE_TX_CN5	AU41	High Speed Differential I/O	Transmit bus
A44	PCIE_TX_CN6	AT43	High Speed Differential I/O	Transmit bus
A48	PCIE_TX_CN7	AR41	High Speed Differential I/O	Transmit bus
A16	PCIE_TX_CP0	BB44	High Speed Differential I/O	Transmit bus
A21	PCIE_TX_CP1	BA42	High Speed Differential I/O	Transmit bus
A25	PCIE_TX_CP2	AY44	High Speed Differential I/O	Transmit bus

Receive bus	Receive bus	FPGA Pin Number	I/O Standard	Description
A29	PCIE_TX_CP3	AW42	High Speed Differential I/O	Transmit bus
A35	PCIE_TX_CP4	AV44	High Speed Differential I/O	Transmit bus
A39	PCIE_TX_CP5	AU42	High Speed Differential I/O	Transmit bus
A43	PCIE_TX_CP6	AT44	High Speed Differential I/O	Transmit bus
A47	PCIE_TX_CP7	AR42	High Speed Differential I/O	Transmit bus
B11	PCIE_WAKEN_R	AY29	1.8 V	Wake signal

10/100/1000 Ethernet PHY

The Arria 10 GX FPGA development board supports 10/100/1000 base-T Ethernet using an external Marvell 88E1111 PHY and Altera Triple-Speed Ethernet MegaCore MAC function. The PHY-to-MAC interface employs SGMII using the Arria 10 GX FPGA LVDS pins in Soft-CDR mode at 1.25 Gbps transmit and receive. In 10-Mb or 100-Mb mode, the SGMII interface still runs at 1.25 GHz but the packet data is repeated 10 or 100 times. The MAC function must be provided in the FPGA for typical networking applications.

The Marvell 88E1111 PHY uses 2.5-V and 1.0-V power rails and requires a 25 MHz reference clock driven from a dedicated oscillator. The PHY interfaces to a HALO HFJ11-1G02E model RJ45 with internal magnetics that can be used for driving copper lines with Ethernet traffic.

Figure 6-4: SGMII Interface between FPGA (MAC) and Marvell 88E1111 PHY

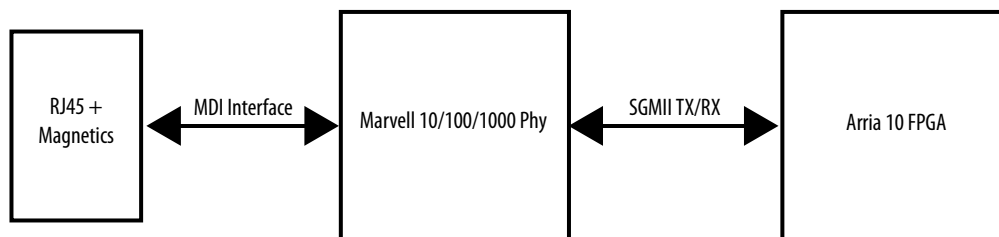


Table 6-17: Ethernet PHY Pin Assignments, Signal Names and Functions

Board Reference (U15)	Schematic Signal Name	FPGA Pin Number	I/O Standard	Description
23	ENET_2P5V_INTN	AG13	1.8 V	Management bus interrupt
25	ENET_2P5V_MDC	AF13	1.8 V	Management bus data clock
24	ENET_2P5V_MDIO	AL18	1.8 V	Management bus data
28	ENET_2P5V_RESETN	AW23	1.8 V	Device reset
59	ENET_LED_LINK10	—	2.5 V	10-Mb link LED
76	ENET_LED_LINK10	—	2.5 V	10-Mb link LED
74	ENET_LED_LINK100	—	2.5 V	100-Mb link LED
60	ENET_LED_LINK1000	—	2.5 V	1000-Mb link LED

Board Reference (U15)	Schematic Signal Name	FPGA Pin Number	I/O Standard	Description
73	ENET_LED_LINK1000	—	2.5 V	1000-Mb link LED
58	ENET_LED_RX	—	2.5 V	RX data active LED
69	ENET_LED_RX	—	2.5 V	RX data active LED
68	ENET_LED_TX	—	2.5 V	TX data active LED
30	ENET_RSET	AW23	1.8 V	Device reset
75	ENET_RX_N	AW24	LVDS	SGMII receive channel
77	ENET_RX_P	AV24		SGMII receive channel
81	ENET_TX_N	BD23		SGMII transmit channel
82	ENET_TX_P	BC23		SGMII transmit channel
55	ENET_XTAL_25MHZ	—	2.5 V	25-MHz RGMII transmit clock
31	MDI_N0	—		Media dependent interface
34	MDI_N1	—		
41	MDI_N2	—		
43	MDI_N3	—		
29	MDI_P0	—		
33	MDI_P1	—		
39	MDI_P2	—		
42	MDI_P3	—		

HiLo External Memory Interface

This section describes the Arria 10 GX FPGA development board's external memory interface support and also their signal names, types, and connectivity relative to the Arria 10 GX FPGA.

The HiLo connector supports plugins the following memory interfaces:

- DDR3 x72 (included in the kit)
- DDR4 x72 (included in the kit)
- RDRAM3 x36 (included in the kit)
- QDR IV x36 (not included. Contact your local Altera sales representative for ordering and availability)

Table 6-18: HiLo EMI Pin Assignments, Schematic Signal Names

Board Reference	Schematic Signal Name	FPGA Pin Number	I/O Standard
F1	MEM_ADDR_CMD0	M32	1.5 V
H1	MEM_ADDR_CMD1	L32	1.5 V
F2	MEM_ADDR_CMD2	N34	1.5 V
G2	MEM_ADDR_CMD3	M35	1.5 V
H2	MEM_ADDR_CMD4	L34	1.5 V
J2	MEM_ADDR_CMD5	K34	1.5 V
K2	MEM_ADDR_CMD6	M33	1.5 V
G3	MEM_ADDR_CMD7	L33	1.5V
J3	MEM_ADDR_CMD8	J33	1.5 V
L3	MEM_ADDR_CMD9	J32	1.5 V
E4	MEM_ADDR_CMD10	H31	1.5 V
F4	MEM_ADDR_CMD11	J31	1.5 V
G4	MEM_ADDR_CMD12	H34	1.5 V
H4	MEM_ADDR_CMD13	H33	1.5 V
J4	MEM_ADDR_CMD14	G32	1.5 V
K4	MEM_ADDR_CMD15	E32	1.5 V
M1	MEM_ADDR_CMD16	F33	1.5 V
M2	MEM_ADDR_CMD17	G35	1.5 V

Board Reference	Schematic Signal Name	FPGA Pin Number	I/O Standard
N2	MEM_ADDR_CMD18	H35	1.5 V
L4	MEM_ADDR_CMD19	G33	1.5 V
P5	MEM_ADDR_CMD20	U33	1.5 V
M5	MEM_ADDR_CMD21	T33	1.5 V
P1	MEM_ADDR_CMD22	R34	1.5 V
R4	MEM_ADDR_CMD23	P34	1.5 V
M4	MEM_ADDR_CMD24	N33	1.5 V
R3	MEM_ADDR_CMD25	P33	1.5 V
L2	MEM_ADDR_CMD26	F32	1.5 V
K1	MEM_ADDR_CMD27	T35	1.5 V
P2	MEM_ADDR_CMD28	T34	1.5 V
N4	MEM_ADDR_CMD29	E35	1.5 V
P4	MEM_ADDR_CMD30	U32	1.5 V
N3	MEM_ADDR_CMD31	T32	1.5 V
V2	MEM_CLK_N	R31	1.5 V
V1	MEM_CLK_P	R30	1.5 V
B10	MEM_DMA0	E26	1.5 V
C4	MEM_DMA1	G27	1.5 V
B17	MEM_DMA2	A29	1.5 V
F17	MEM_DMA3	F30	1.5 V
M16	MEM_DMB0	AB32	1.5 V
U16	MEM_DMB1	AG31	1.5 V
U11	MEM_DMB2	Y35	1.5 V
U6	MEM_DMB3	AC34	1.5 V

Board Reference	Schematic Signal Name	FPGA Pin Number	I/O Standard
R6	MEM_DQ_ADDR_CMD0	A32	1.5 V
T1	MEM_DQ_ADDR_CMD1	A33	1.5 V
R2	MEM_DQ_ADDR_CMD2	B32	1.5 V
T2	MEM_DQ_ADDR_CMD3	D32	1.5 V
U2	MEM_DQ_ADDR_CMD4	C33	1.5 V
U3	MEM_DQ_ADDR_CMD5	B33	1.5 V
T4	MEM_DQ_ADDR_CMD6	D34	1.5 V
U4	MEM_DQ_ADDR_CMD7	C35	1.5 V
T5	MEM_DQ_ADDR_CMD8	E34	1.5 V
A4	MEM_DQA0	B28	1.5 V
B4	MEM_DQA1	A28	1.5 V
B5	MEM_DQA2	A27	1.5 V
B6	MEM_DQA3	B27	1.5 V
A8	MEM_DQA4	D27	1.5 V
B8	MEM_DQA5	E27	1.5 V
B9	MEM_DQA6	D26	1.5 V
A10	MEM_DQA7	D28	1.5 V
B1	MEM_DQA8	G25	1.5 V
B2	MEM_DQA9	H25	1.5 V
C2	MEM_DQA10	G26	1.5 V
C3	MEM_DQA11	H26	1.5 V
E3	MEM_DQA12	G28	1.5 V
D4	MEM_DQA13	F27	1.5 V
D1	MEM_DQA14	K27	1.5 V

Board Reference	Schematic Signal Name	FPGA Pin Number	I/O Standard
D2	MEM_DQA15	F28	1.5 V
A12	MEM_DQA16	D31	1.5 V
B12	MEM_DQA17	E31	1.5 V
B13	MEM_DQA18	B31	1.5 V
B14	MEM_DQA19	C31	1.5 V
C15	MEM_DQA20	A30	1.5 V
A16	MEM_DQA21	E30	1.5 V
B16	MEM_DQA22	B30	1.5 V
A18	MEM_DQA23	D29	1.5 V
C16	MEM_DQA24	K30	1.5 V
D16	MEM_DQA25	H30	1.5 V
E16	MEM_DQA26	G30	1.5 V
F16	MEM_DQA27	K31	1.5 V
D17	MEM_DQA28	H29	1.5 V
C18	MEM_DQA29	K29	1.5 V
D18	MEM_DQA30	J29	1.5 V
E18	MEM_DQA31	F29	1.5 V
E2	MEM_DQA32	J28	1.5 V
G16	MEM_DQA33	G31	1.5 V
H16	MEM_DQB0	AC31	1.5 V
J16	MEM_DQB1	AB31	1.5 V
K16	MEM_DQB2	W31	1.5 V
L16	MEM_DQB3	Y31	1.5 V
H17	MEM_DQB4	AD31	1.5 V

Board Reference	Schematic Signal Name	FPGA Pin Number	I/O Standard
K17	MEM_DQB5	AD32	1.5 V
K18	MEM_DQB6	AD33	1.5 V
L18	MEM_DQB7	AA30	1.5 V
M17	MEM_DQB8	AE31	1.5 V
N18	MEM_DQB9	AE32	1.5 V
P17	MEM_DQB10	AE30	1.5 V
P18	MEM_DQB11	AF30	1.5 V
R18	MEM_DQB12	AG33	1.5 V
T16	MEM_DQB13	AG32	1.5 V
T17	MEM_DQB14	AH33	1.5 V
T18	MEM_DQB15	AH31	1.5 V
U15	MEM_DQB16	U31	1.5 V
T14	MEM_DQB17	W33	1.5 V
U14	MEM_DQB18	W32	1.5 V
V14	MEM_DQB19	V31	1.5 V
T13	MEM_DQB20	Y34	1.5 V
T12	MEM_DQB21	W35	1.5 V
U12	MEM_DQB22	W34	1.5 V
V12	MEM_DQB23	V34	1.5 V
T10	MEM_DQB24	AH35	1.5 V
U10	MEM_DQB25	AJ34	1.5 V
V10	MEM_DQB26	AJ33	1.5 V
T9	MEM_DQB27	AH34	1.5 V
T8	MEM_DQB28	AD35	1.5 V

Board Reference	Schematic Signal Name	FPGA Pin Number	I/O Standard
U8	MEM_DQB29	AE34	1.5 V
U7	MEM_DQB30	AC33	1.5 V
V6	MEM_DQB31	AD34	1.5 V
R16	MEM_DQB32	AF32	1.5 V
T6	MEM_DQB33	AB33	1.5 V
V5	MEM_DQS_ADDR_CMD_N	C34	1.5 V
V4	MEM_DQS_ADDR_CMD_P	D33	1.5 V
A7	MEM_DQSA_N0	C26	1.5 V
A3	MEM_DQSA_N1	J27	1.5 V
A15	MEM_DQSA_N2	C29	1.5 V
G18	MEM_DQSA_N3	L29	1.5 V
A6	MEM_DQSA_P0	B26	1.5 V
A2	MEM_DQSA_P1	H28	1.5 V
A14	MEM_DQSA_P2	C30	1.5 V
F18	MEM_DQSA_P3	L30	1.5 V
J18	MEM_DQSB_N0	AA32	1.5 V
V18	MEM_DQSB_N1	AJ31	1.5 V
V17	MEM_DQSB_N2	AA33	1.5 V
V9	MEM_DQSB_N3	AF34	1.5 V
H18	MEM_DQSB_P0	Y32	1.5 V
U18	MEM_DQSB_P1	AJ32	1.5 V
V16	MEM_DQSB_P2	AA34	1.5 V
V8	MEM_DQSB_P3	AF33	1.5 V
A11	MEM_QKA_P0	C28	1.5 V

Board Reference	Schematic Signal Name	FPGA Pin Number	I/O Standard
B18	MEM_QKA_P1	E29	1.5 V
M18	MEM_QKB_P0	Y30	1.5 V
V13	MEM_QKB_P1	V33	1.5 V
H14	MEM_VREF	AB30	—
J13	MEM_VREF	K32	—
K14	MEM_VREF	R32	—

Related Information[External Memory Interfaces in Arria 10 Devices](#)

FMC

The Arria 10 GX FPGA development board includes a high pin count (HPC) FPGA mezzanine card (FMC) connector that functions with a quadrature amplitude modulation (QAM) digital-to-analog converter (DAC) FMC module or daughtercard. This pin-out satisfies a QAM DAC that requires 58 LVDS data output pairs, one LVDS input clock pair, and three low-voltage differential signaling (LVDS) control pairs from the FPGA device. These pins also have the option to be used as single-ended I/O pins.

The VCCIO supply for the FMC A and FMC B banks provide a variable voltage of 1.2V - 1.8V. The default voltage value is 1.8V.

However, for device safety concerns, a jumper is available for you to connect this bank to the same VCCIO used for the FMC A banks. This allows the VCCIO pins on the FPGA to be tied to a known power. The VCCIO pins also allows you the option to perform a manual check for the module's input voltage before connecting to the FPGA. This is to ensure that the module does not exceed the power supply maximum voltage rating.

Table 6-19: FMC A Connector Pin Assignments, Schematic Signal Names

Board Reference	Schematic Signal Name	FPGA Pin Number	I/O Standard
D1	FMCA_C2M_PG	—	—
H5	FMCA_CLK_M2C_N0	AY19	High Speed Differential I/O
G3	FMCA_CLK_M2C_N1	BA13	High Speed Differential I/O
H4	FMCA_CLK_M2C_P0	AY20	High Speed Differential I/O
G2	FMCA_CLK_M2C_P1	BA12	High Speed Differential I/O
C3	FMCA_DP_C2M_N0	BC8	High Speed Differential I/O
A23	FMCA_DP_C2M_N1	BD6	High Speed Differential I/O
A27	FMCA_DP_C2M_N2	BB6	High Speed Differential I/O
A31	FMCA_DP_C2M_N3	BC4	High Speed Differential I/O
A35	FMCA_DP_C2M_N4	BB2	High Speed Differential I/O
A39	FMCA_DP_C2M_N5	BA4	High Speed Differential I/O
B37	FMCA_DP_C2M_N6	AY2	High Speed Differential I/O
B33	FMCA_DP_C2M_N7	AW4	High Speed Differential I/O
B29	FMCA_DP_C2M_N8	AV2	High Speed Differential I/O
B25	FMCA_DP_C2M_N9	AU4	High Speed Differential I/O

Board Reference	Schematic Signal Name	FPGA Pin Number	I/O Standard
K23	FMCA_DP_C2M_N10	AT2	High Speed Differential I/O
K26	FMCA_DP_C2M_N11	AR4	High Speed Differential I/O
K29	FMCA_DP_C2M_N12	AP2	High Speed Differential I/O
K32	FMCA_DP_C2M_N13	AM2	High Speed Differential I/O
K35	FMCA_DP_C2M_N14	AK2	High Speed Differential I/O
K38	FMCA_DP_C2M_N15	AH2	High Speed Differential I/O
C2	FMCA_DP_C2M_P0	BC7	High Speed Differential I/O
A22	FMCA_DP_C2M_P1	BD5	High Speed Differential I/O
A26	FMCA_DP_C2M_P2	BB5	High Speed Differential I/O
A30	FMCA_DP_C2M_P3	BC3	High Speed Differential I/O
A34	FMCA_DP_C2M_P4	BB1	High Speed Differential I/O
A38	FMCA_DP_C2M_P5	BA3	High Speed Differential I/O
B36	FMCA_DP_C2M_P6	AY1	High Speed Differential I/O
B32	FMCA_DP_C2M_P7	AW3	High Speed Differential I/O
B28	FMCA_DP_C2M_P8	AV1	High Speed Differential I/O
B24	FMCA_DP_C2M_P9	AU3	High Speed Differential I/O
K22	FMCA_DP_C2M_P10	AT1	High Speed Differential I/O
K25	FMCA_DP_C2M_P11	AR3	High Speed Differential I/O
K28	FMCA_DP_C2M_P12	AP1	High Speed Differential I/O
K31	FMCA_DP_C2M_P13	AM1	High Speed Differential I/O
K34	FMCA_DP_C2M_P14	AK1	High Speed Differential I/O
K37	FMCA_DP_C2M_P15	AH1	High Speed Differential I/O
C7	FMCA_DP_M2C_N0	AW8	High Speed Differential I/O

Board Reference	Schematic Signal Name	FPGA Pin Number	I/O Standard
A3	FMCA_DP_M2C_N1	BA8	High Speed Differential I/O
A7	FMCA_DP_M2C_N2	AY6	High Speed Differential I/O
A11	FMCA_DP_M2C_N3	AV6	High Speed Differential I/O
A15	FMCA_DP_M2C_N4	AT6	High Speed Differential I/O
A19	FMCA_DP_M2C_N5	AP6	High Speed Differential I/O
B17	FMCA_DP_M2C_N6	AN4	High Speed Differential I/O
B13	FMCA_DP_M2C_N7	AM6	High Speed Differential I/O
B9	FMCA_DP_M2C_N8	AL4	High Speed Differential I/O
B5	FMCA_DP_M2C_N9	AK6	High Speed Differential I/O
K5	FMCA_DP_M2C_N10	AJ4	High Speed Differential I/O
K8	FMCA_DP_M2C_N11	AH6	High Speed Differential I/O
K11	FMCA_DP_M2C_N12	AG4	High Speed Differential I/O
K14	FMCA_DP_M2C_N13	AF6	High Speed Differential I/O
K17	FMCA_DP_M2C_N14	AE4	High Speed Differential I/O
K20	FMCA_DP_M2C_N15	AD6	High Speed Differential I/O
C6	FMCA_DP_M2C_P0	AW7	High Speed Differential I/O
A2	FMCA_DP_M2C_P1	BA7	High Speed Differential I/O
A6	FMCA_DP_M2C_P2	AY5	High Speed Differential I/O
A10	FMCA_DP_M2C_P3	AV5	High Speed Differential I/O
A14	FMCA_DP_M2C_P4	AT5	High Speed Differential I/O
A18	FMCA_DP_M2C_P5	AP5	High Speed Differential I/O
B16	FMCA_DP_M2C_P6	AN3	High Speed Differential I/O
B12	FMCA_DP_M2C_P7	AM5	High Speed Differential I/O

Board Reference	Schematic Signal Name	FPGA Pin Number	I/O Standard
B8	FMCA_DP_M2C_P8	AL3	High Speed Differential I/O
B4	FMCA_DP_M2C_P9	AK5	High Speed Differential I/O
K4	FMCA_DP_M2C_P10	AJ3	High Speed Differential I/O
K7	FMCA_DP_M2C_P11	AH5	High Speed Differential I/O
K10	FMCA_DP_M2C_P12	AG3	High Speed Differential I/O
K13	FMCA_DP_M2C_P13	AF5	High Speed Differential I/O
K16	FMCA_DP_M2C_P14	AE3	High Speed Differential I/O
K19	FMCA_DP_M2C_P15	AD5	High Speed Differential I/O
C34	FMCA_GA0	BC16	1.8 V
D35	FMCA_GA1	BD16	1.8 V
D5	FMCA_GBTCLK_M2C_N0	AL7	LVDS
B21	FMCA_GBTCLK_M2C_N1	AJ7	LVDS
D4	FMCA_GBTCLK_M2C_P0	AL8	LVDS
B20	FMCA_GBTCLK_M2C_P1	AJ8	LVDS
D34	FMCA_JTAG_RST	—	—
D29	FMCA_JTAG_TCK	—	—
D30	FMCA_JTAG_TDI	—	—
D31	FMCA_JTAG_TDO	—	—
D33	FMCA_JTAG_TMS	—	—
G7	FMCA_LA_RX_CLK_N0	AU15	LVDS
D9	FMCA_LA_RX_CLK_N1	AR11	LVDS
G6	FMCA_LA_RX_CLK_P0	AV15	LVDS
D8	FMCA_LA_RX_CLK_P1	AT10	LVDS
G10	FMCA_LA_RX_N0	AR19	LVDS
C11	FMCA_LA_RX_N1	AW14	LVDS
G13	FMCA_LA_RX_N2	AN19	LVDS
C15	FMCA_LA_RX_N3	AT15	LVDS
G16	FMCA_LA_RX_N4	AP16	LVDS
C19	FMCA_LA_RX_N5	AV18	LVDS

Board Reference	Schematic Signal Name	FPGA Pin Number	I/O Standard
G19	FMCA_LA_RX_N6	AU13	LVDS
C23	FMCA_LA_RX_N7	AV21	LVDS
G22	FMCA_LA_RX_N8	AT8	LVDS
G25	FMCA_LA_RX_N9	AY12	LVDS
G28	FMCA_LA_RX_N10	AY14	LVDS
C27	FMCA_LA_RX_N11	AR21	LVDS
G31	FMCA_LA_RX_N12	BA14	LVDS
G34	FMCA_LA_RX_N13	BB18	LVDS
G37	FMCA_LA_RX_N14	AW17	LVDS
G9	FMCA_LA_RX_P0	AR20	LVDS
C10	FMCA_LA_RX_P1	AV14	LVDS
G12	FMCA_LA_RX_P2	AP18	LVDS
C14	FMCA_LA_RX_P3	AR15	LVDS
G15	FMCA_LA_RX_P4	AR16	LVDS
C18	FMCA_LA_RX_P5	AW18	LVDS
G18	FMCA_LA_RX_P6	AT13	LVDS
C22	FMCA_LA_RX_P7	AU21	LVDS
G21	FMCA_LA_RX_P8	AU8	LVDS
G24	FMCA_LA_RX_P9	AW12	LVDS
G27	FMCA_LA_RX_P10	AY15	LVDS
C26	FMCA_LA_RX_P11	AP21	LVDS
G30	FMCA_LA_RX_P12	BA15	LVDS
G33	FMCA_LA_RX_P13	BB17	LVDS
G36	FMCA_LA_RX_P14	AY17	LVDS
H8	FMCA_LA_TX_N0	AT22	LVDS
H11	FMCA_LA_TX_N1	AP19	LVDS
D12	FMCA_LA_TX_N2	AW11	LVDS
H14	FMCA_LA_TX_N3	AU17	LVDS
D15	FMCA_LA_TX_N4	AV13	LVDS
H17	FMCA_LA_TX_N5	AR14	LVDS
D18	FMCA_LA_TX_N6	AP17	LVDS
H20	FMCA_LA_TX_N7	AT9	LVDS
D21	FMCA_LA_TX_N8	AW19	LVDS

Board Reference	Schematic Signal Name	FPGA Pin Number	I/O Standard
H23	FMCA_LA_TX_N9	AU12	LVDS
H26	FMCA_LA_TX_N10	AY11	LVDS
D24	FMCA_LA_TX_N11	AT18	LVDS
H29	FMCA_LA_TX_N12	BC15	LVDS
D27	FMCA_LA_TX_N13	AT20	LVDS
H32	FMCA_LA_TX_N14	AW16	LVDS
H35	FMCA_LA_TX_N15	BD18	LVDS
H38	FMCA_LA_TX_N16	AU20	LVDS
H7	FMCA_LA_TX_P0	AR22	LVDS
H10	FMCA_LA_TX_P1	AN20	LVDS
D11	FMCA_LA_TX_P2	AV11	LVDS
H13	FMCA_LA_TX_P3	AT17	LVDS
D14	FMCA_LA_TX_P4	AW13	LVDS
H16	FMCA_LA_TX_P5	AT14	LVDS
D17	FMCA_LA_TX_P6	AR17	LVDS
H19	FMCA_LA_TX_P7	AR9	LVDS
D20	FMCA_LA_TX_P8	AV19	LVDS
H22	FMCA_LA_TX_P9	AU11	LVDS
H25	FMCA_LA_TX_P10	AY10	LVDS
D23	FMCA_LA_TX_P11	AU18	LVDS
H28	FMCA_LA_TX_P12	BB15	LVDS
D26	FMCA_LA_TX_P13	AT19	LVDS
H31	FMCA_LA_TX_P14	AY16	LVDS
H34	FMCA_LA_TX_P15	BC18	LVDS
H37	FMCA_LA_TX_P16	AV20	LVDS
F1	FMCA_M2C_PG	—	
H2	FMCA_PRSNTN	P16	1.8 V
C30	FMCA_SCL	AU10	1.8 V
C31	FMCA_SDA	AV10	1.8 V
J39	VIO_B_M2C	—	—
K40	VIO_B_M2C	—	—
K1	VREF_B_M2C	—	—

Board Reference	Schematic Signal Name	FPGA Pin Number	I/O Standard
H1	VREF_FMCA	—	—

Table 6-20: FMC B Connector Pin Assignments, Schematic Signal Names

FMCB Connector Pin Number	Schematic Signal Name	FPGA Pin Number	I/O Standard
D1	FMCB_C2M_PG	—	—
H5	FMCB_CLK_M2C_N0	K12	High Speed Differential I/O
G3	FMCB_CLK_M2C_N1	G17	High Speed Differential I/O
H4	FMCB_CLK_M2C_P0	J12	High Speed Differential I/O
G2	FMCB_CLK_M2C_P1	F17	High Speed Differential I/O
C3	FMCB_DP_C2M_N0	AB2	High Speed Differential I/O
A23	FMCB_DP_C2M_N1	Y2	High Speed Differential I/O
A27	FMCB_DP_C2M_N2	V2	High Speed Differential I/O
A31	FMCB_DP_C2M_N3	T2	High Speed Differential I/O
A35	FMCB_DP_C2M_N4	P2	High Speed Differential I/O
A39	FMCB_DP_C2M_N5	M2	High Speed Differential I/O
B37	FMCB_DP_C2M_N6	K2	High Speed Differential I/O
B33	FMCB_DP_C2M_N7	J4	High Speed Differential I/O
B29	FMCB_DP_C2M_N8	H2	High Speed Differential I/O
B25	FMCB_DP_C2M_N9	G4	High Speed Differential I/O
K23	FMCB_DP_C2M_N10	F2	High Speed Differential I/O
K26	FMCB_DP_C2M_N11	E4	High Speed Differential I/O
K29	FMCB_DP_C2M_N12	D2	High Speed Differential I/O
K32	FMCB_DP_C2M_N13	C4	High Speed Differential I/O
K35	FMCB_DP_C2M_N14	B2	High Speed Differential I/O

FMCB Connector Pin Number	Schematic Signal Name	FPGA Pin Number	I/O Standard
K38	FMCB_DP_C2M_N15	A4	High Speed Differential I/O
C2	FMCB_DP_C2M_P0	AB1	High Speed Differential I/O
A22	FMCB_DP_C2M_P1	Y1	High Speed Differential I/O
A26	FMCB_DP_C2M_P2	V1	High Speed Differential I/O
A30	FMCB_DP_C2M_P3	T1	High Speed Differential I/O
A34	FMCB_DP_C2M_P4	P1	High Speed Differential I/O
A38	FMCB_DP_C2M_P5	M1	High Speed Differential I/O
B36	FMCB_DP_C2M_P6	K12	High Speed Differential I/O
B32	FMCB_DP_C2M_P7	J3	High Speed Differential I/O
B28	FMCB_DP_C2M_P8	H1	High Speed Differential I/O
B24	FMCB_DP_C2M_P9	G3	High Speed Differential I/O
K22	FMCB_DP_C2M_P10	F1	High Speed Differential I/O
K25	FMCB_DP_C2M_P11	E3	High Speed Differential I/O
K28	FMCB_DP_C2M_P12	D1	High Speed Differential I/O
K31	FMCB_DP_C2M_P13	C3	High Speed Differential I/O
K34	FMCB_DP_C2M_P14	B1	High Speed Differential I/O
K37	FMCB_DP_C2M_P15	A3	High Speed Differential I/O
C7	FMCB_DP_M2C_N0	AA4	High Speed Differential I/O
A3	FMCB_DP_M2C_N1	W4	High Speed Differential I/O
A7	FMCB_DP_M2C_N2	Y6	High Speed Differential I/O
A11	FMCB_DP_M2C_N3	V6	High Speed Differential I/O
A15	FMCB_DP_M2C_N4	U4	High Speed Differential I/O
A19	FMCB_DP_M2C_N5	T6	High Speed Differential I/O
B17	FMCB_DP_M2C_N6	R4	High Speed Differential I/O

FMCB Connector Pin Number	Schematic Signal Name	FPGA Pin Number	I/O Standard
B13	FMCB_DP_M2C_N7	P6	High Speed Differential I/O
B9	FMCB_DP_M2C_N8	N4	High Speed Differential I/O
B5	FMCB_DP_M2C_N9	M6	High Speed Differential I/O
K5	FMCB_DP_M2C_N10	L4	High Speed Differential I/O
K8	FMCB_DP_M2C_N11	K6	High Speed Differential I/O
K11	FMCB_DP_M2C_N12	H6	High Speed Differential I/O
K14	FMCB_DP_M2C_N13	G8	High Speed Differential I/O
K17	FMCB_DP_M2C_N14	F6	High Speed Differential I/O
K20	FMCB_DP_M2C_N15	E8	High Speed Differential I/O
C6	FMCB_DP_M2C_P0	AA3	High Speed Differential I/O
A2	FMCB_DP_M2C_P1	W3	High Speed Differential I/O
A6	FMCB_DP_M2C_P2	Y5	High Speed Differential I/O
A10	FMCB_DP_M2C_P3	V5	High Speed Differential I/O
A14	FMCB_DP_M2C_P4	U3	High Speed Differential I/O
A18	FMCB_DP_M2C_P5	T5	High Speed Differential I/O
B16	FMCB_DP_M2C_P6	R3	High Speed Differential I/O
B12	FMCB_DP_M2C_P7	P5	High Speed Differential I/O
B8	FMCB_DP_M2C_P8	N3	High Speed Differential I/O
B4	FMCB_DP_M2C_P9	M5	High Speed Differential I/O
K4	FMCB_DP_M2C_P10	L3	High Speed Differential I/O
K7	FMCB_DP_M2C_P11	K5	High Speed Differential I/O
K10	FMCB_DP_M2C_P12	H5	High Speed Differential I/O
K13	FMCB_DP_M2C_P13	G7	High Speed Differential I/O
K16	FMCB_DP_M2C_P14	F5	High Speed Differential I/O

FMCB Connector Pin Number	Schematic Signal Name	FPGA Pin Number	I/O Standard
K19	FMCB_DP_M2C_P15	E7	High Speed Differential I/O
C34	FMCB_GA0	K22	1.8 V
D35	FMCB_GA1	L22	1.8 V
D5	FMCB_GBTCLK_M2C_N0	W7	LVDS
B21	FMCB_GBTCLK_M2C_N1	U7	LVDS
D4	FMCB_GBTCLK_M2C_P0	W8	LVDS
B20	FMCB_GBTCLK_M2C_P1	U8	LVDS
D34	FMCB_JTAG_RST	—	LVDS
D29	FMCB_JTAG_TCK	—	LVDS
D30	FMCB_JTAG_TDI	—	LVDS
D31	FMCB_JTAG_TDO	—	LVDS
D33	FMCB_JTAG_TMS	—	LVDS
G7	FMCB_LA_RX_CLK_N0	C10	LVDS
D9	FMCB_LA_RX_CLK_N1	F18	LVDS
G6	FMCB_LA_RX_CLK_P0	C11	LVDS
D8	FMCB_LA_RX_CLK_P1	G18	LVDS
G10	FMCB_LA_RX_N0	D16	LVDS
C11	FMCB_LA_RX_N1	H21	LVDS
G13	FMCB_LA_RX_N2	B13	LVDS
C15	FMCB_LA_RX_N3	B18	LVDS
G16	FMCB_LA_RX_N4	D11	LVDS
C19	FMCB_LA_RX_N5	C16	LVDS
G19	FMCB_LA_RX_N6	F12	LVDS
C23	FMCB_LA_RX_N7	G12	LVDS
G22	FMCB_LA_RX_N8	G20	LVDS
G25	FMCB_LA_RX_N9	H18	LVDS
G28	FMCB_LA_RX_N10	L13	LVDS
C27	FMCB_LA_RX_N11	J14	LVDS
G31	FMCB_LA_RX_N12	M17	LVDS
G34	FMCB_LA_RX_N13	M18	LVDS
G37	FMCB_LA_RX_N14	M20	LVDS
G9	FMCB_LA_RX_P0	D17	LVDS
C10	FMCB_LA_RX_P1	G21	LVDS

FMCB Connector Pin Number	Schematic Signal Name	FPGA Pin Number	I/O Standard
G12	FMCB_LA_RX_P2	A13	LVDS
C14	FMCB_LA_RX_P3	A18	LVDS
G15	FMCB_LA_RX_P4	D12	LVDS
C18	FMCB_LA_RX_P5	B16	LVDS
G18	FMCB_LA_RX_P6	E12	LVDS
C22	FMCB_LA_RX_P7	G11	LVDS
G21	FMCB_LA_RX_P8	H20	LVDS
G24	FMCB_LA_RX_P9	H19	LVDS
G27	FMCB_LA_RX_P10	M12	LVDS
C26	FMCB_LA_RX_P11	K14	LVDS
G30	FMCB_LA_RX_P12	M16	LVDS
G33	FMCB_LA_RX_P13	L18	LVDS
G36	FMCB_LA_RX_P14	M21	LVDS
H8	FMCB_LA_TX_N0	B17	LVDS
H11	FMCB_LA_TX_N1	B15	LVDS
D12	FMCB_LA_TX_N2	K19	LVDS
H14	FMCB_LA_TX_N3	C13	LVDS
D15	FMCB_LA_TX_N4	A14	LVDS
H17	FMCB_LA_TX_N5	E10	LVDS
D18	FMCB_LA_TX_N6	A12	LVDS
H20	FMCB_LA_TX_N7	F10	LVDS
D21	FMCB_LA_TX_N8	G13	LVDS
H23	FMCB_LA_TX_N9	H10	LVDS
H26	FMCB_LA_TX_N10	K17	LVDS
D24	FMCB_LA_TX_N11	J13	LVDS
H29	FMCB_LA_TX_N12	L14	LVDS
D27	FMCB_LA_TX_N13	N13	LVDS
H32	FMCB_LA_TX_N14	L19	LVDS
H35	FMCB_LA_TX_N15	K21	LVDS
H38	FMCB_LA_TX_N16	J21	LVDS
H7	FMCB_LA_TX_P0	A17	LVDS
H10	FMCB_LA_TX_P1	C15	LVDS
D11	FMCB_LA_TX_P2	J19	LVDS

FMCB Connector Pin Number	Schematic Signal Name	FPGA Pin Number	I/O Standard
H13	FMCB_LA_TX_P3	D13	LVDS
D14	FMCB_LA_TX_P4	A15	LVDS
H16	FMCB_LA_TX_P5	E11	LVDS
D17	FMCB_LA_TX_P6	B12	LVDS
H19	FMCB_LA_TX_P7	G10	LVDS
D20	FMCB_LA_TX_P8	F13	LVDS
H22	FMCB_LA_TX_P9	H11	LVDS
H25	FMCB_LA_TX_P10	K16	LVDS
D23	FMCB_LA_TX_P11	H13	LVDS
H28	FMCB_LA_TX_P12	M13	LVDS
D26	FMCB_LA_TX_P13	M15	LVDS
H31	FMCB_LA_TX_P14	K20	LVDS
H34	FMCB_LA_TX_P15	L20	LVDS
H37	FMCB_LA_TX_P16	J22	LVDS
F1	FMCB_M2C_PG	—	—
H2	FMCB_PRNTN	P17	1.8 V
C30	FMCB_SCL	J17	1.8 V
C31	FMCB_SDA	J16	1.8 V
J39	VIO_B_M2C	—	—
K40	VIO_B_M2C	—	—
K1	VREF_B_M2C	—	—
H1	VREF_FMCB	—	—

Note: The FMC port B has the same pin assignments as port A but on a different board reference designation. For example, the pin assignments for FMCA_LA_TX_P1 is J1.H10 and FMCB_LA_TX_P1 is J2.H10.

QSFP

The Arria 10 GX FPGA development board includes a QSFP module.

Table 6-21: QSFP Pin Assignments, Schematic Signal Names, and Functions

Board Reference	Schematic Signal Name	FPGA Pin Number	I/O Standard	Description
28	QSFP_3P3V_INTERRUPTN	AL34	1.8 V	QSFP interrupt
31	QSFP_3P3V_LP_MODE	AK34	1.8 V	QSFP low power mode
27	QSFP_3P3V_MOD_PRSN	AU36	1.8 V	Module present
8	QSFP_3P3V_MOD_SELN	AU35	1.8 V	Module select
9	QSFP_3P3V_RSTN	AV35	1.8 V	Module reset
11	QSFP_3P3V_SCL	AV34	1.8 V	QSFP serial 2-wire clock
12	QSFP_3P3V_SDA	AU31	1.8 V	QSFP serial 2-wire data
18	QSFP_RX_N0	R41	High Speed Differential I/O	QSFP transmitter data
21	QSFP_RX_N1	P39	High Speed Differential I/O	QSFP transmitter data
15	QSFP_RX_N2	M39	High Speed Differential I/O	QSFP transmitter data
24	QSFP_RX_N3	L41	High Speed Differential I/O	QSFP transmitter data
17	QSFP_RX_P0	R42	High Speed Differential I/O	QSFP transmitter data
22	QSFP_RX_P1	P40	High Speed Differential I/O	QSFP transmitter data

Board Reference	Schematic Signal Name	FPGA Pin Number	I/O Standard	Description
14	QSFP_RX_P2	M40	High Speed Differential I/O	QSFP transmitter data
25	QSFP_RX_P3	L42	High Speed Differential I/O	QSFP transmitter data
37	QSFP_TX_N0	K43	High Speed Differential I/O	QSFP transmitter data
2	QSFP_TX_N1	J41	High Speed Differential I/O	QSFP transmitter data
34	QSFP_TX_N2	G41	High Speed Differential I/O	QSFP transmitter data
5	QSFP_TX_N3	F43	High Speed Differential I/O	QSFP transmitter data
36	QSFP_TX_P0	K44	High Speed Differential I/O	QSFP transmitter data
3	QSFP_TX_P1	J42	High Speed Differential I/O	QSFP transmitter data
33	QSFP_TX_P2	G42	High Speed Differential I/O	QSFP transmitter data
6	QSFP_TX_P3	F44	High Speed Differential I/O	QSFP transmitter data

SFP+

The Arria 10 GX FPGA development board includes one SFP+ module that uses transceiver channels from the FPGA. This module takes in serial data from the FPGA and transform them into optical signals. The Arria 10 GX FPGA development board includes one SFP+ cage assembly for the SFP+ port that is used by the device.

Table 6-22: SFP+ Pin Assignments, Schematic Signal Names, and Functions

Board Reference (J12)	Schematic Signal Name	FPGA Pin Number	I/O Standard	Description
6	SFP_3P3V_MOD0_PRSNTN	AT30	1.8 V	Module present indicator
7	SFP_3P3V_RS0	AN31	1.8 V	SFP+ rate select 0
9	SFP_3P3V_RS1	AT34	1.8 V	SFP+ rate select 1
8	SFP_3P3V_RX_LOS	AU30	1.8 V	Signal present indicator
3	SFP_3P3V_TX_DIS	AR35	1.8 V	Transmitter disable
2	SFP_3P3V_TX_FLT	AT35	1.8 V	Transmitter fault
12	SFP_RX_N	AA41	High Speed Differential I/O	Receiver data
13	SFP_RX_P	AA42	High Speed Differential I/O	Receiver data
5	SFP_SCL	—	High Speed Differential I/O	Serial 2-wire clock
4	SFP_SDA	—	High Speed Differential I/O	Serial 2-wire data
19	SFP_TX_N	AB43	High Speed Differential I/O	Transmitter data
18	SFP_TX_P	AB44	High Speed Differential I/O	Transmitter data

I²C

I²C supports communication between integrated circuits on a board. It is a simple two-wire bus that consists of a serial data line (SDA) and a serial clock (SCL). The MAX V and Arria 10 devices use the I²C for reading and writing to the character LCD. You can use the Arria 10 or MAX V as the I²C host to access the PLLs and clocks.

Figure 6-5: I²C Block Diagram

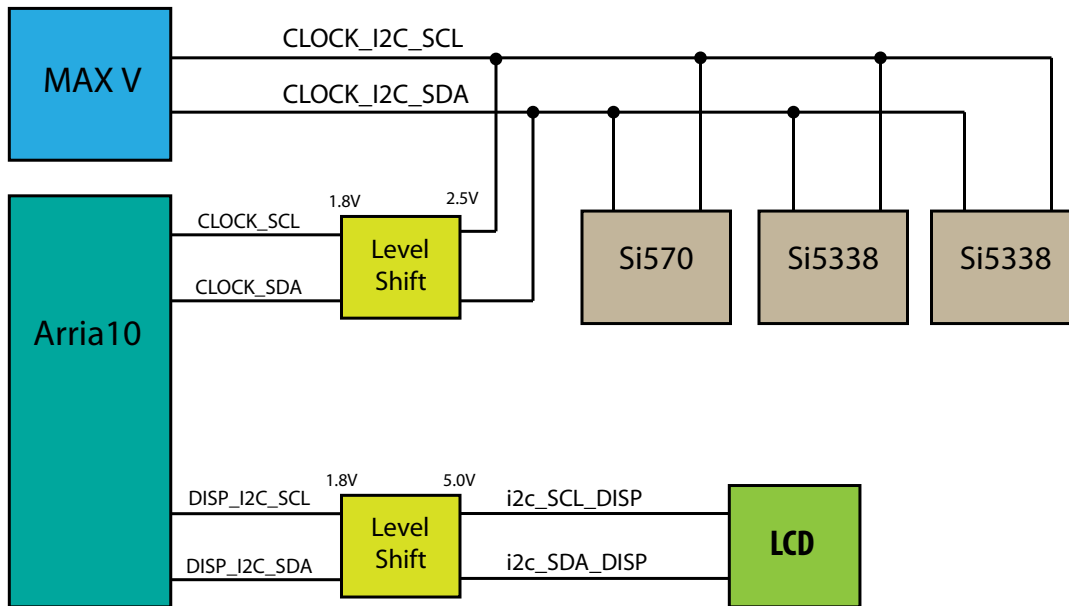


Table 6-23: MAX V I²C Signals

Schematic Signal Name	Pin Number	I/O Standard	Description
CLOCK_I2C_SCL	C12	2.5 V	I ² C serial clock from MAX V.
CLOCK_I2C_SDA	C10	2.5 V	I ² C serial data from MAX V.

Table 6-24: MAV I²C Level Shifter Signals to Arria 10 FPGA

Schematic Signal Name	Arria 10 Pin Number	I/O Standard	Description
CLOCK_SCL	AN30	1.8 V	Arria 10 FPGA I ² C serial clock from MAX V level shifter.

Schematic Signal Name	Arria 10 Pin Number	I/O Standard	Description
CLOCK_SDA	AV33	1.8 V	Arria 10 FPGA I ² C serial data from MAX V level shifter.

Table 6-25: Arria 10 I²C Signals

Schematic Signal Name	Pin Number	I/O Standard	Description
DISP_I2C_SCL	AW33	1.8 V	Arria 10 I ² C serial clock to level shifter.
DISP_I2C_SDA	AY34	1.8 V	Arria 10 I ² C serial data to level shifter.

Table 6-26: Arria 10 I²C Level Shifter to LCD Signals

Schematic Signal Name	LCD Pin Number	I/O Standard	Description
I2C_SCL_DISP	7	5.0 V	LCD I ² C serial clock from Arria 10 FPGA level shifter.
I2C_SDA_DISP	8	5.0 V	LCD I ² C serial data from Arria 10 FPGA level shifter.

Memory

This section describes the development board's memory interface support and also their signal names, types, and connectivity relative to the FPGA.

Flash

The Arria 10 GX FPGA development board supports two 1 Gb CFI-compatible synchronous flash devices for non-volatile storage of FPGA configuration data, board information, test application data, and user code space. These devices are part of the shared FM bus that connects to the flash memory and MAX V CPLD EPM2210 System Controller.

Table 6-27: Default Memory Map of two 1-Gb CFI Flash Devices

Block Description	Size (KB)	Address Range
Board test system scratch	512	0x0a10.0000 - 0x0a17.FFFF
User software	14, 336	0x0930.0000 - 0x0A0F.FFFF
Factory software	8, 192	0x08b0.0000 - 0x092F.FFFF
Zips (html, web content)	8, 192	0x0830.0000 - 0x08AF.FFFF
User hardware2	44, 032	0x0580.0000 - 0x082F.FFFF
User hardware1	44, 032	0x02D0.0000 - 0x057F.FFFF
Factory hardware	44, 032	0x0020.0000 - 0x02CF.FFFF
PFL option bits	512	0x0018.0000 - 0x001F.FFFF
Board information	512	0x0010.0000 - 0x0017.FFFF
Ethernet option bits	512	0x0008.0000 - 0x000F.FFFF
User design reset vector	512	0x0000.0000 - 0x0007.FFFF

Table 6-28: Flash Pin Assignments, Schematic Signal Names, and Functions

Board Reference	Schematic Signal Name	FPGA Pin Number	I/O Standard	Description
F6	FLASH_ADVN	BB22	1.8 V	Address valid
B4	FLASH_CEN1	BB23	1.8 V	Chip enable
E6	FLASH_CLK	BB25	1.8 V	Clock
F8	FLASH_OEN	BC26	1.8 V	Output enable
F7	FLASH_RDYBSYN1	AV23	1.8 V	Ready

Board Reference	Schematic Signal Name	FPGA Pin Number	I/O Standard	Description
D4	FLASH_RESETN	BA23	1.8 V	Reset
G8	FLASH_WEN	BD26	1.8 V	Write enable
C6	FLASH_WPN	—	1.8 V	Write protect
A1	FM_A1	AM11	1.8 V	Address bus
B1	FM_A2	AM12	1.8 V	Address bus
C1	FM_A3	AL12	1.8 V	Address bus
D1	FM_A4	AN13	1.8 V	Address bus
D2	FM_A5	AM13	1.8 V	Address bus
A2	FM_A6	AE12	1.8 V	Address bus
C2	FM_A7	AN15	1.8 V	Address bus
A3	FM_A8	AL10	1.8 V	Address bus
B3	FM_A9	AR10	1.8 V	Address bus
C3	FM_A10	AP11	1.8 V	Address bus
D3	FM_A11	AL13	1.8 V	Address bus
C4	FM_A12	AH11	1.8 V	Address bus
A5	FM_A13	AN14	1.8 V	Address bus
B5	FM_A14	AG11	1.8 V	Address bus
C5	FM_A15	AH10	1.8 V	Address bus
D7	FM_A16	AF14	1.8 V	Address bus
D8	FM_A17	AF15	1.8 V	Address bus
A7	FM_A18	AH14	1.8 V	Address bus
B7	FM_A19	AJ12	1.8 V	Address bus
C7	FM_A20	AJ14	1.8 V	Address bus

Board Reference	Schematic Signal Name	FPGA Pin Number	I/O Standard	Description
C8	FM_A21	AH13	1.8 V	Address bus
A8	FM_A22	AG12	1.8 V	Address bus
G1	FM_A23	AJ13	1.8 V	Address bus
H8	FM_A24	AF12	1.8 V	Address bus
B6	FM_A25	AK14	1.8 V	Address bus
B8	FM_A26	AK11	1.8 V	Address bus
F2	FM_D16	AT25	1.8 V	Data bus
E2	FM_D17	BA19	1.8 V	Data bus
G3	FM_D18	BA20	1.8 V	Data bus
E4	FM_D19	AP24	1.8 V	Data bus
E5	FM_D20	AP23	1.8 V	Data bus
G5	FM_D21	BA18	1.8 V	Data bus
G6	FM_D22	AT24	1.8 V	Data bus
H7	FM_D23	BD19	1.8 V	Data bus
E1	FM_D24	AU23	1.8 V	Data bus
E3	FM_D25	AR24	1.8 V	Data bus
F3	FM_D26	AT23	1.8 V	Data bus
F4	FM_D27	AR25	1.8 V	Data bus
F5	FM_D28	AP22	1.8 V	Data bus
H5	FM_D29	BC19	1.8 V	Data bus
G7	FM_D30	AU22	1.8 V	Data bus
E7	FM_D31	BA17	1.8 V	Data bus

Programming the Flash Using Quartus Programmer

You can use the Quartus Programmer to program the flash with your Programmer Object File (.pof).

Ensure the following conditions are met before you proceed:

- The Quartus Programmer and the USB-Blaster II driver are installed on the host computer.
- The micro-USB cable is connected to the FPGA development board.
- Power to the board is on, and no other applications that use the JTAG chain are running.
- The design running in the FPGA does not drive the FM bus.

Execute the steps below to program the Flash

1. Start the Quartus Programmer.
2. Click **Auto Detect** to display the devices in the JTAG chain.
3. Select the flash attached to the MAX V and then click **Change File** and select the path to the desired .pof. If the flash is not detected, configure the FPGA with <package root directory>\examples\board_test_system\image\Configuring the FPGA Using Programmer.
4. Turn on the **Program/Configure** option for the added file.
5. Click **Start** to program the selected file to the flash. Programming is complete when the progress bar reaches 100%.

Attention: Using the Quartus Programmer to program a device on the board causes other JTAG-based applications such as the Board Test System and the Power Monitor to lose their connection to the board. Restart those applications after programming is complete.

Board Power Supply

This section describes the Arria 10 GX FPGA development board's power supply. A laptop style DC power supply is provided with the development kit. Use only the supplied power supply. The power supply has an auto sensing input voltage range of 100 ~ 240 VAC and will output 12 VDC power at 16 A to the development board. The 12 VDC input power is then stepped down to various power rails used by the board components.

An on-board multi-channel analog-to-digital converter (ADC) measures both the voltage and current for several specific board rails. The power utilization is displayed on a graphical user interface (GUI) that can graph power consumption versus time.



Power Distribution System

The following figure below shows the power distribution system on the A10 FPGA development board. Regulator efficiencies and sharing are reflected in the currents shown, which are at conservative absolute maximum levels.

Figure 6-6: Power Distribution System Block Diagram (ES Edition)

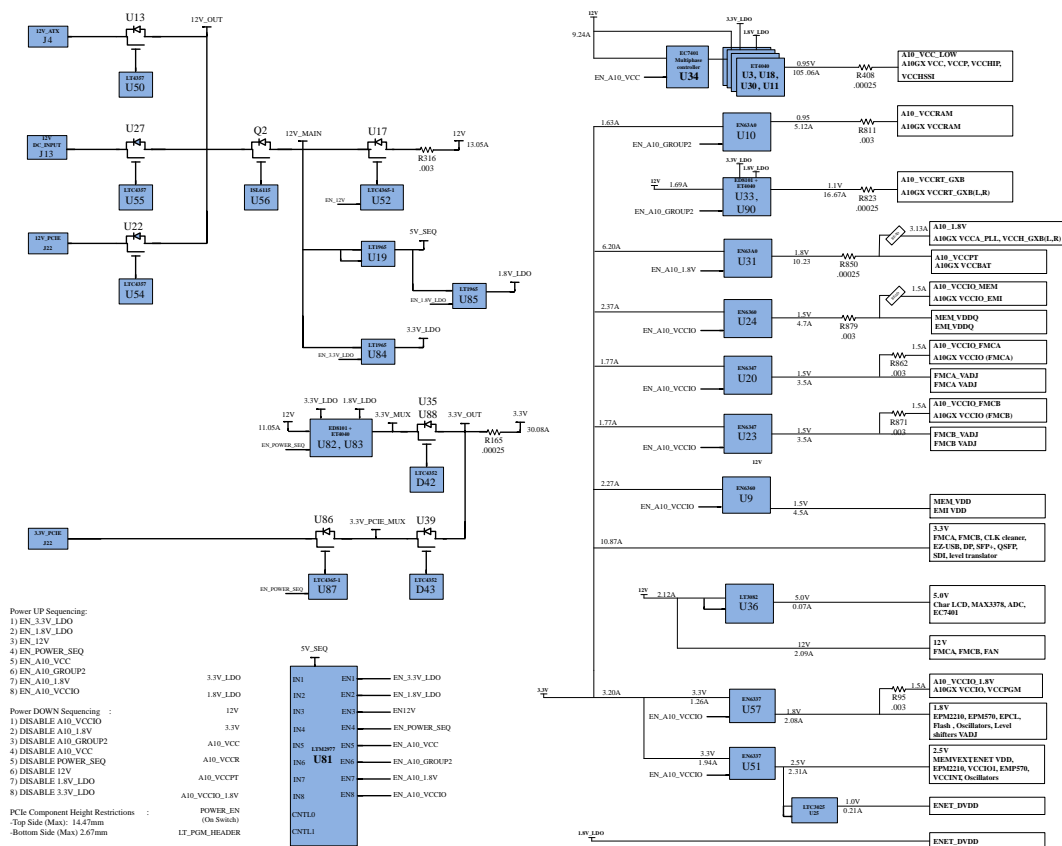
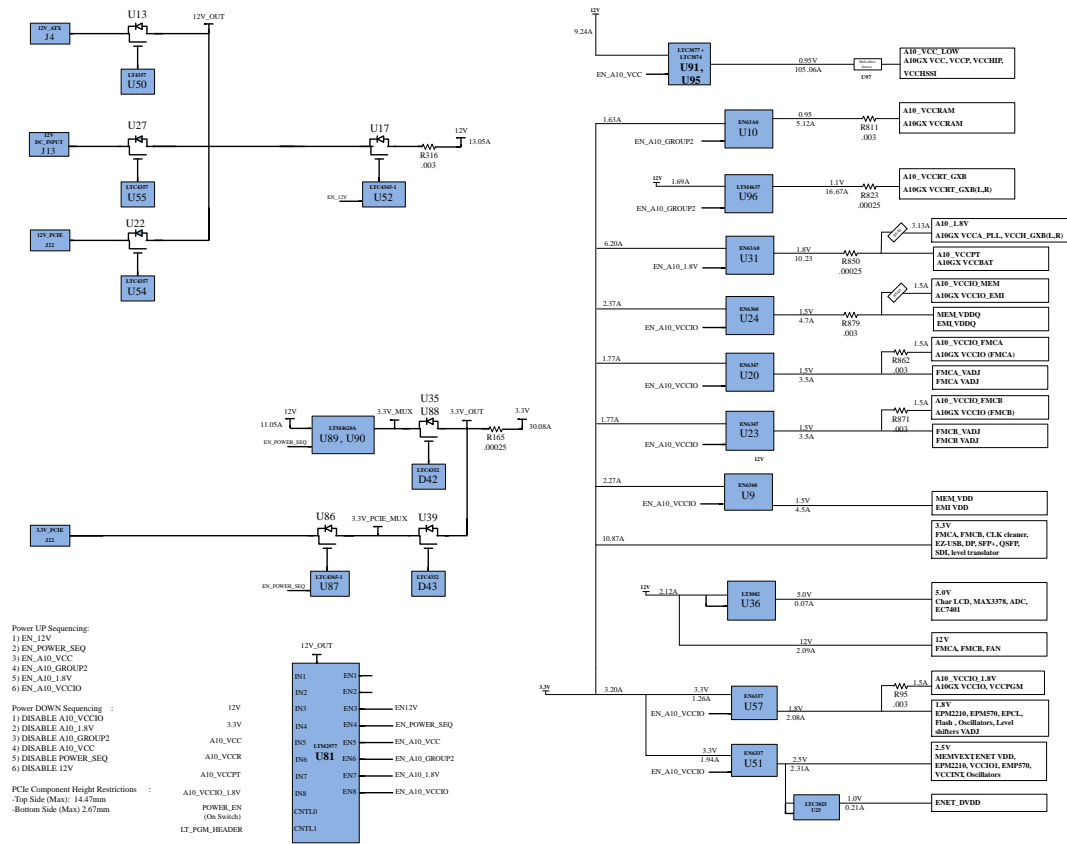


Figure 6-7: Power Distribution System Block Diagram



Power Measurement

There are 8 power supply rails that have on-board voltage, current, and wattage sense capabilities using 24-bit differential ADC devices. Precision sense resistors split the ADC devices and rails from the primary supply plane for the ADC to measure voltage and current. A SPI bus connects these ADC devices to the MAX V CPLD EPM2210 System Controller as well as the Arria 10 GX FPGA.

Daughterboards

The Arria 10 development kit provides a full-featured hardware development platform for prototyping and testing high-speed serial interfaces to an Arria 10 GX FPGA.

Table 6-29: Arria 10 FPGA Development Kit Daughterboards

Memory Type	Transfer Rate (Mbps)	Maximum Frequency (MHz)
DDR3	2,133	1,066
DDR4	2,666	1,333
RLDRAM 3	2,400	1,200
QDR-IV	2,133	1,066
FMC Loopback	14,200	7,100

Related Information

[I/O and High Speed I/O Arria 10 Devices](#)

External Memory Interface

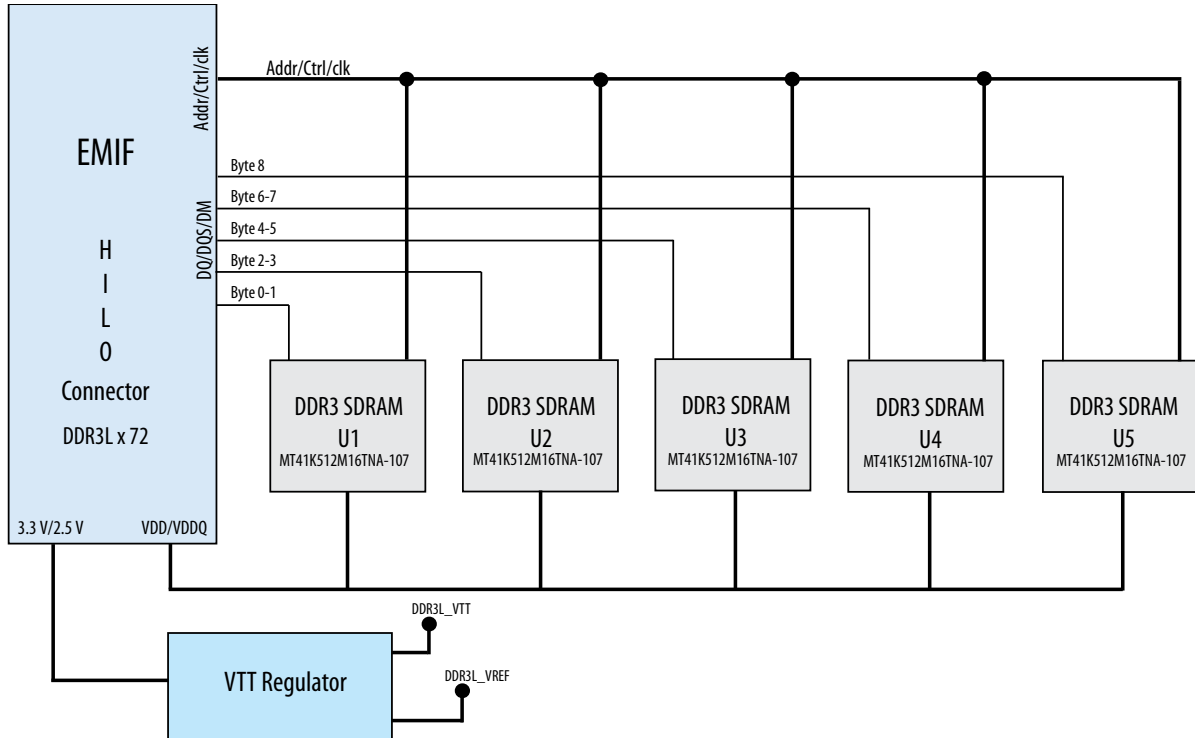
Related Information

[Arria 10 FPGA and SoC External Memory Resources](#)

DDR3L

The DDR3L x 72 SDRAM (DDR3 Low Voltage)

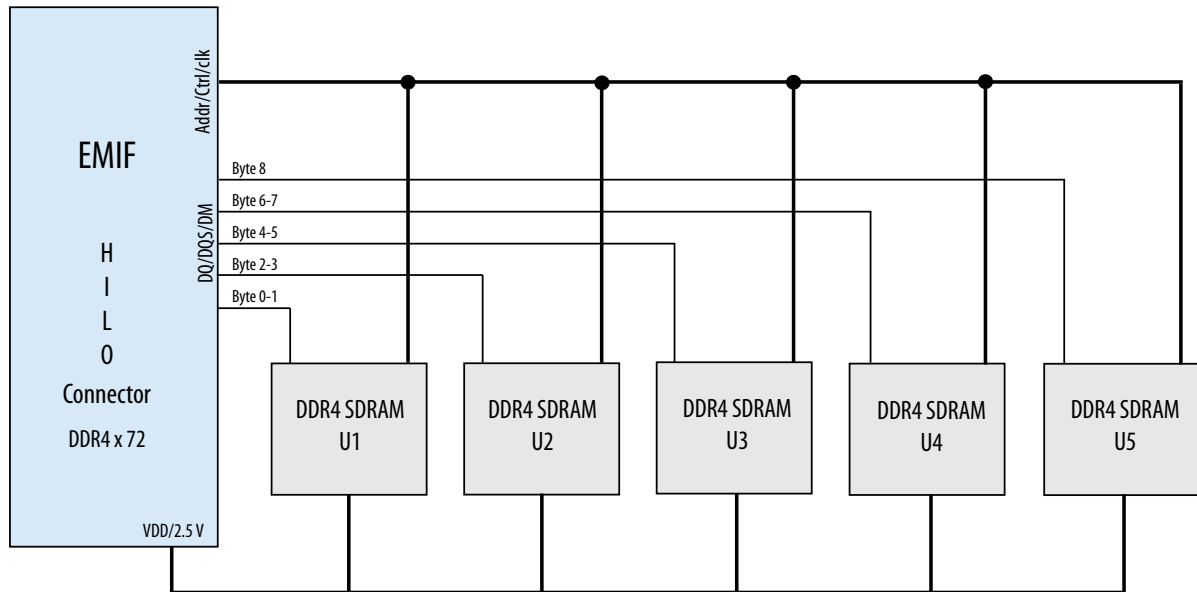
Figure 6-8: DDR3 Block Diagram



DDR4

DDR4 x 72 SDRAM

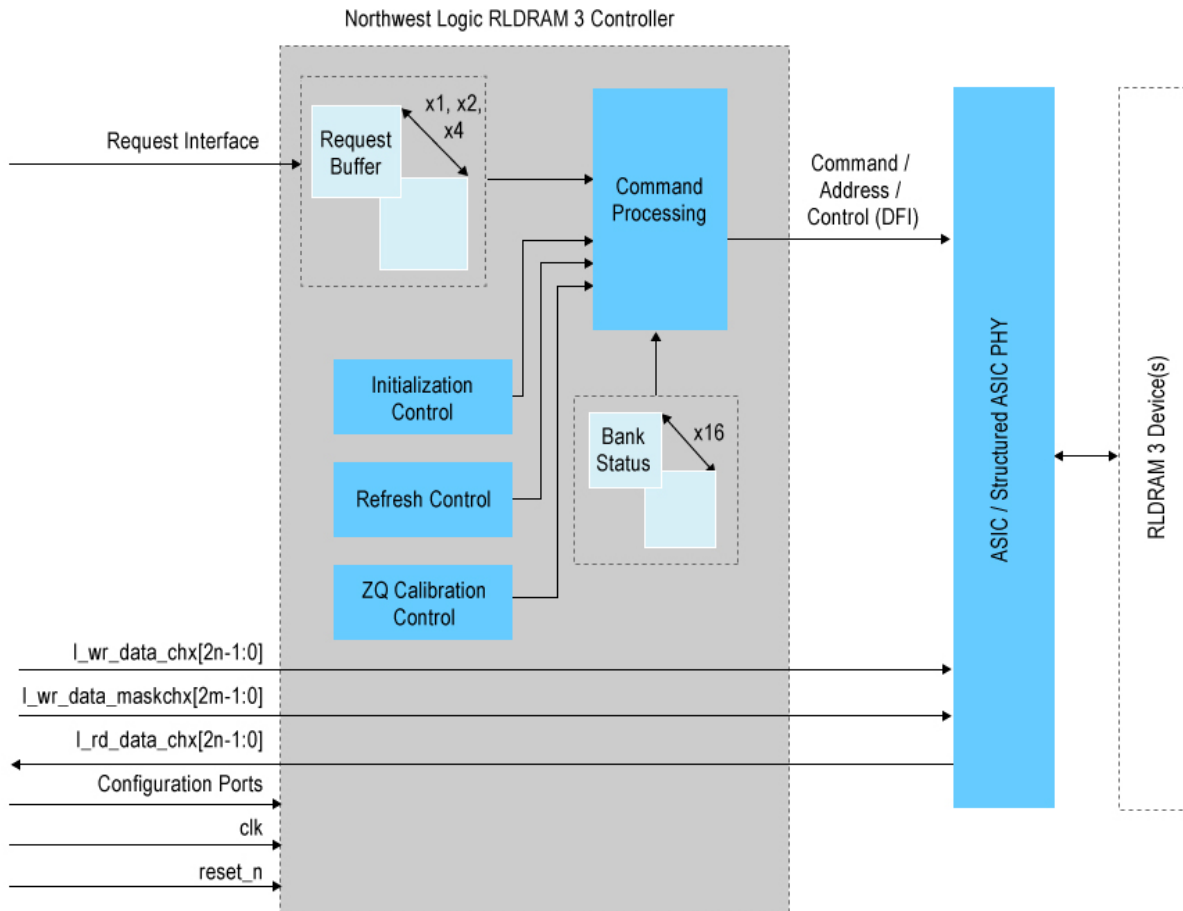
Figure 6-9: DDR4 Block Diagram



RLDRAM 3

The RLDRAM 3 x 36 (reduced latency DRAM) controller is designed for use in applications requiring high memory throughput, high clock rates and full programmability.

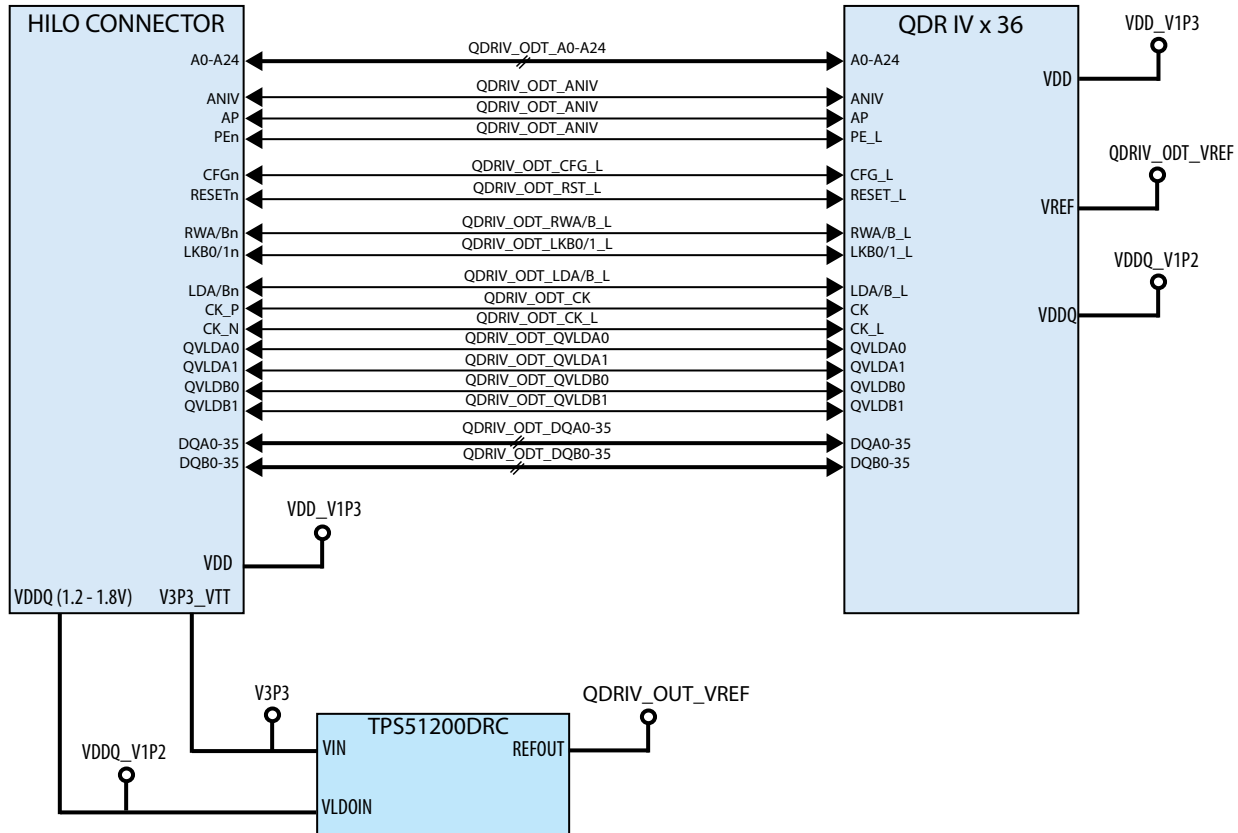
Figure 6-10: RLDRAM 3 Block Diagram



QDR-IV

QDR-IV x 36 SRAM devices enable you to maximize memory bandwidth with separate read and write ports.

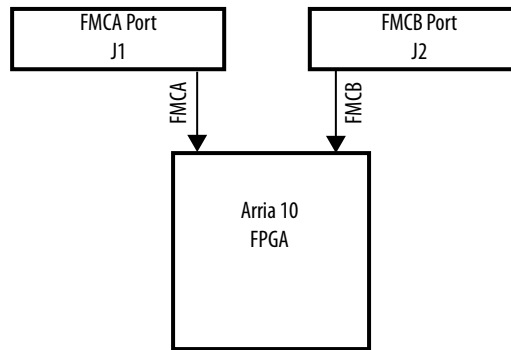
Figure 6-11: QDR-IV Block Diagram



FMC Loopback Card

The Arria 10 FPGA development kit provides two FMC mezzanine interface ports connected to the Arria 10 FPGA for interfacing to Altera FMC add-in boards as shown in the figure below. The Altera FMC interface is mechanically compliant with the Vita57.1 specification for attaching a double width mezzanine module. However, in terms of signal connections, the Altera FMC interface is not fully compliant with the Vita 57.1 specification. Instead, it contains a subset of the Vita57.1 interface signal to the connector as shown in the FMCA and FMCB signal assignments tables.

Figure 6-12: Arria 10 FPGA Development Kit FMC Block Diagram



The following shows the complete signal connections assigned for each Altera FMC interface at the FMCA port (J1) and FMCB port (J2). For the signal connections to the FPGA device, refer to [Table 6-19](#).

Table 6-30: FMCA Connector (J1) Signal Assignments

	K	J	H	G	F	E	D	C	B	A
1	NC	GND	VREF_FMCA	GND	FMCA_M2C_PG	GND	FMCA_C2M_PG	GND	NC	GND
2	GND	NC	FMCA_PRSNTh	FMCA_CLK_M2C_P1	GND	NC	GND	FMCA_DP_C2M_P0	GND	FMCA_DP_M2C_P1
3	GND	NC	GND	FMCA_CLK_M2C_N1	GND	NC	GND	FMCA_DP_C2M_N0	GND	FMCA_DP_M2C_N1
4	FMCA_DP_M2C_P10	GND	FMCA_CLK_M2C_P0	GND	NC	GND	FMCA_GBTCLK_M2C_P0	GND	FMCA_DP_M2C_P9	GND
5	FMCA_DP_M2C_N10	GND	FMCA_CLK_M2C_N0	GND	NC	GND	FMCA_GBTCLK_M2C_N0	GND	FMCA_DP_M2C_N9	GND
6	GND	NC	GND	FMCA_LA_RX_CLK_P0	GND	NC	GND	FMCA_DP_M2C_P0	GND	FMCA_DP_M2C_P2
7	FMCA_DP_M2C_P11	GND	FMCA_LA_TX_P0	FMCA_LA_RX_CLK_N0	NC	NC	GND	FMCA_DP_M2C_N0	GND	FMCA_DP_M2C_N2
8	FMCA_DP_M2C_N11	GND	FMCA_LA_TX_N0	GND	NC	GND	FMCA_LA_RX_CLK_P1	GND	FMCA_DP_M2C_P8	GND
9	GND	NC	GND	FMCA_LA_RX_P0	GND	NC	FMCA_LA_RX_CLK_N1	GND	FMCA_DP_M2C_N8	GND

	K	J	H	G	F	E	D	C	B	A
10	FMCA_DP_M2C_P12	GND	FMCA_LA_TX_P1	FMCA_LA_RX_N0	NC	NC	GND	FMCA_LA_RX_P1	GND	FMCA_DP_M2C_P3
11	FMCA_DP_M2C_N12	GND	FMCA_LA_TX_N1	GND	NC	GND	FMCA_LA_TX_P2	FMCA_LA_RX_N1	GND	FMCA_DP_M2C_N3
12	GND	NC	GND	FMCA_LA_RX_P2	GND	NC	FMCA_LA_TX_N2	GND	FMCA_DP_M2C_P7	GND
13	FMCA_DP_M2C_P13	GND	FMCA_LA_TX_P3	FMCA_LA_RX_N2	NC	NC	GND	GND	FMCA_DP_M2C_N7	GND
14	FMCA_DP_M2C_N13	GND	FMCA_LA_TX_N3	GND	NC	GND	FMCA_LA_TX_P4	FMCA_LA_RX_P3	GND	FMCA_DP_M2C_P4
15	GND	NC	GND	FMCA_LA_RX_P4	GND	NC	FMCA_LA_TX_N4	FMCA_LA_RX_N3	GND	FMCA_DP_M2C_N4
16	FMCA_DP_M2C_P14	GND	FMCA_LA_TX_P5	FMCA_LA_RX_N4	NC	NC	GND	GND	FMCA_DP_M2C_P6	GND
17	FMCA_DP_M2C_N14	GND	FMCA_LA_TX_N5	GND	NC	GND	FMCA_LA_TX_P6	GND	FMCA_DP_M2C_N6	GND
18	GND	NC	GND	FMCA_LA_RX_P6	GND	NC	FMCA_LA_TX_N6	FMCA_LA_RX_P5	GND	FMCA_DP_M2C_P5
19	FMCA_DP_M2C_P15	GND	FMCA_LA_TX_P7	FMCA_LA_RX_N6	NC	NC	GND	FMCA_LA_RX_N5	GND	FMCA_DP_M2C_N5
20	FMCA_DP_M2C_N15	GND	FMCA_LA_TX_N7	GND	NC	GND	FMCA_LA_TX_P8	GND	FMCA_GBTCLK_M2C_P1	GND
21	GND	NC	GND	FMCA_LA_RX_P8	GND	NC	FMCA_LA_TX_N8	GND	FMCA_GBTCLK_M2C_N1	GND
22	FMCA_DP_C2M_P10	GND	FMCA_LA_TX_P9	FMCA_LA_RX_N8	NC	NC	GND	FMCA_LA_RX_P7	GND	FMCA_DP_C2M_P1
23	FMCA_DP_C2M_N10	GND	FMCA_LA_TX_N9	GND	NC	GND	FMCA_LA_TX_P11	FMCA_LA_RX_N7	GND	FMCA_DP_C2M_N1
24	GND	NC	GND	FMCA_LA_RX_P9	GND	NC	FMCA_LA_TX_N11	GND	FMCA_DP_C2M_P9	GND
25	FMCA_DP_C2M_P11	GND	FMCA_LA_TX_P10	FMCA_LA_RX_N9	NC	NC	GND	GND	FMCA_DP_C2M_N9	GND
26	FMCA_DP_C2M_N11	GND	FMCA_LA_TX_N10	GND	NC	GND	FMCA_LA_TX_P13	FMCA_LA_RX_P11	GND	FMCA_DP_C2M_P2
27	GND	NC	GND	FMCA_LA_RX_P10	GND	NC	FMCA_LA_TX_N13	FMCA_LA_RX_N11	GND	FMCA_DP_C2M_N2
28	FMCA_DP_C2M_P12	GND	FMCA_LA_TX_P12	FMCA_LA_RX_N10	NC	NC	GND	GND	FMCA_DP_C2M_P8	GND
29	FMCA_DP_C2M_N12	GND	FMCA_LA_TX_N12	GND	NC	GND	FMCA_JTAG_TCK	GND	FMCA_DP_C2M_N8	GND

	K	J	H	G	F	E	D	C	B	A
30	GND	NC	GND	FMCA_LA_RX_P12	GND	NC	FMCA_JTAG_TDI	FMCA_3P3V_SCL	GND	FMCA_DP_C2M_P3
31	FMCA_DP_C2M_P13	GND	FMCA_LA_TX_P14	FMCA_LA_RX_N12	NC	NC	FMCA_JTAG_TDO	FMCA_3P3V_SDA	GND	FMCA_DP_C2M_N3
32	FMCA_DP_C2M_N13	GND	FMCA_LA_TX_N14	GND	NC	GND	3.3V	GND	FMCA_DP_C2M_P7	GND
33	GND	NC	GND	FMCA_LA_RX_P13	GND	NC	FMCA_JTAG_TMS	GND	FMCA_DP_C2M_N7	GND
34	FMCA_DP_C2M_P14	GND	FMCA_LA_TX_P15	FMCA_LA_RX_N13	NC	NC	FMCA_JTAG_RST	FMCA_GA0	GND	FMCA_DP_C2M_P4
35	FMCA_DP_C2M_N14	GND	FMCA_LA_TX_N15	GND	NC	GND	FMCA_GA1	12V	GND	FMCA_DP_C2M_N4
36	GND	NC	GND	FMCA_LA_RX_P14	GND	NC	3.3V	GND	FMCA_DP_C2M_P6	GND
37	FMCA_DP_C2M_P15	GND	FMCA_LA_TX_P16	FMCA_LA_RX_N14	NC	NC	GND	12V	FMCA_DP_C2M_N6	GND
38	FMCA_DP_C2M_N15	GND	FMCA_LA_TX_N16	GND	NC	GND	3.3V	GND	GND	FMCA_DP_C2M_P5
39	GND	NC	GND	A10_VCCIO_FMCA	GND	A10_VCCIO_FMCA	GND	3.3V	GND	FMCA_DP_C2M_N5
40	NC	GND	A10_VCCIO_FMCA	GND	A10_VCCIO_FMCA	GND	3.3V	GND	NC	GND
			LPC Connector	LPC Connector			HPC Connector	HPC Connector		

Table 6-31: FMCB Connector (J2) Signals Assignments

	K	J	H	G	F	E	D	C	B	A
1	NC	GND	VREF_FMCB	GND	FMCB_M2C_PG	GND	FMCB_C2M_PG	GND	NC	GND
2	GND	NC	FMCB_PRSN_Tn	FMCB_CLK_M2C_P1	GND	NC	GND	FMCA_DP_C2M_P0	GND	FMCA_DP_C2M_P1
3	GND	NC	GND	FMCB_CLK_M2C_N1	GND	NC	GND	FMCA_DP_C2M_N0	GND	FMCA_DP_C2M_N1
4	FMCA_DP_C2M_P10	GND	FMCA_CLK_M2C_P0	GND	NC	GND	FMCA_GBTCLK_M2C_P0	GND	FMCA_DP_C2M_P9	GND

	K	J	H	G	F	E	D	C	B	A
5	FMCB_DP_ M2C_N10	GND	FMCB_CLK_ M2C_N0	GND	NC	GND	FMCB_ GBTCLK_ M2C_N0	GND	FMCB_DP_ M2C_N9	GND
6	GND	NC	GND	FMCB_LA_ RX_CLK_P0	GND	NC	GND	FMCB_DP_ M2C_P0	GND	FMCB_ DP_ M2C_P2
7	FMCB_DP_ M2C_P11	GND	FMCB_LA_ TX_P0	FMCB_LA_ RX_CLK_N0	NC	NC	GND	FMCB_DP_ M2C_N0	GND	FMCB_ DP_ M2C_ N2
8	FMCB_DP_ M2C_N11	GND	FMCB_LA_ TX_N0	GND	NC	GND	FMCB_LA_ RX_CLK_P1	GND	FMCB_DP_ M2C_P8	GND
9	GND	NC	GND	FMCB_LA_ RX_P0	GND	NC	FMCB_LA_ RX_CLK_N1	GND	FMCB_DP_ M2C_N8	GND
10	FMCB_DP_ M2C_P12	GND	FMCB_LA_ TX_P1	FMCB_LA_ RX_N0	NC	NC	GND	FMCB_LA_ RX_P1	GND	FMCB_ DP_ M2C_P3
11	FMCB_DP_ M2C_N12	GND	FMCB_LA_ TX_N1	GND	NC	GND	FMCB_LA_ TX_P2	FMCB_LA_ RX_N1	GND	FMCB_ DP_ M2C_ N3
12	GND	NC	GND	FMCB_LA_ RX_P2	GND	NC	FMCB_LA_ TX_N2	GND	FMCB_DP_ M2C_P7	GND
13	FMCB_DP_ M2C_P13	GND	FMCB_LA_ TX_P3	FMCB_LA_ RX_N2	NC	NC	GND	GND	FMCB_DP_ M2C_N7	GND
14	FMCB_DP_ M2C_N13	GND	FMCB_LA_ TX_N3	GND	NC	GND	FMCB_LA_ TX_P4	FMCB_LA_ RX_P3	GND	FMCB_ DP_ M2C_P4
15	GND	NC	GND	FMCB_LA_ RX_P4	GND	NC	FMCB_LA_ TX_N4	FMCB_LA_ RX_N3	GND	FMCB_ DP_ M2C_ N4
16	FMCB_DP_ M2C_P14	GND	FMCB_LA_ TX_P5	FMCB_LA_ RX_N4	NC	NC	GND	GND	FMCB_DP_ M2C_P6	GND
17	FMCB_DP_ M2C_N14	GND	FMCB_LA_ TX_N5	GND	NC	GND	FMCB_LA_ TX_P6	GND	FMCB_DP_ M2C_N6	GND
18	GND	NC	GND	FMCB_LA_ RX_P6	GND	NC	FMCB_LA_ TX_N6	FMCB_LA_ RX_P5	GND	FMCB_ DP_ M2C_P5
19	FMCB_DP_ M2C_P15	GND	FMCB_LA_ TX_P7	FMCB_LA_ RX_N6	NC	NC	GND	FMCB_LA_ RX_N5	GND	FMCB_ DP_ M2C_ N5

	K	J	H	G	F	E	D	C	B	A
20	FMCB_DP_ M2C_N15	GND	FMCB_LA_ TX_N7	GND	NC	GND	FMCB_LA_ TX_P8	GND	FMCB_ GBTCLK_ M2C_P1	GND
21	GND	NC	GND	FMCB_LA_ RX_P8	GND	NC	FMCB_LA_ TX_N8	GND	FMCB_ GBTCLK_ M2C_N1	GND
22	FMCB_DP_ C2M_P10	GND	FMCB_LA_ TX_P9	FMCB_LA_ RX_N8	NC	NC	GND	FMCB_LA_ RX_P7	GND	FMCB_ DP_ C2M_P1
23	FMCB_DP_ C2M_N10	GND	FMCB_LA_ TX_N9	GND	NC	GND	FMCB_LA_ TX_P11	FMCB_LA_ RX_N7	GND	FMCB_ DP_ C2M_ N1
24	GND	NC	GND	FMCB_LA_ RX_P9	GND	NC	FMCB_LA_ TX_N11	GND	FMCB_DP_ C2M_P9	GND
25	FMCB_DP_ C2M_P11	GND	FMCB_LA_ TX_P10	FMCB_LA_ RX_N9	NC	NC	GND	GND	FMCB_DP_ C2M_N9	GND
26	FMCB_DP_ C2M_N11	GND	FMCB_LA_ TX_N10	GND	NC	GND	FMCB_LA_ TX_P13	FMCB_LA_ RX_P11	GND	FMCB_ DP_ C2M_P2
27	GND	NC	GND	FMCB_LA_ RX_P10	GND	NC	FMCB_LA_ TX_N13	FMCB_LA_ RX_N11	GND	FMCB_ DP_ C2M_ N2
28	FMCB_DP_ C2M_P12	GND	FMCB_LA_ TX_P12	FMCB_LA_ RX_N10	NC	NC	GND	GND	FMCB_DP_ C2M_P8	GND
29	FMCB_DP_ C2M_N12	GND	FMCB_LA_ TX_N12	GND	NC	GND	FMCB_JTAG_ TCK	GND	FMCB_DP_ C2M_N8	GND
30	GND	NC	GND	FMCB_LA_ RX_P12	GND	NC	FMCB_JTAG_ TDI	FMCB_3P3V_ SCL	GND	FMCB_ DP_ C2M_P3
31	FMCB_DP_ C2M_P13	GND	FMCB_LA_ TX_P14	FMCB_LA_ RX_N12	NC	NC	FMCB_JTAG_ TDO	FMCB_3P3V_ SDA	GND	FMCB_ DP_ C2M_ N3
32	FMCB_DP_ C2M_N13	GND	FMCB_LA_ TX_N14	GND	NC	GND	3.3V	GND	FMCB_DP_ C2M_P7	GND
33	GND	NC	GND	FMCB_LA_ RX_P13	GND	NC	FMCB_JTAG_ TMS	GND	FMCB_DP_ C2M_N7	GND
34	FMCB_DP_ C2M_P14	GND	FMCB_LA_ TX_P15	FMCB_LA_ RX_N13	NC	NC	FMCB_JTAG_ RST	FMCB_GA0	GND	FMCB_ DP_ C2M_P4

	K	J	H	G	F	E	D	C	B	A
35	FMCB_DP_ C2M_N14	GND	FMCB_LA_ TX_N15	GND	NC	GND	FMCB_GA1	12V	GND	FMCB_ DP_ C2M_ N4
36	GND	NC	GND	FMCB_LA_ RX_P14	GND	NC	3.3V	GND	FMCB_DP_ C2M_P6	GND
37	FMCB_DP_ C2M_P15	GND	FMCB_LA_ TX_P16	FMCB_LA_ RX_N14	NC	NC	GND	12V	FMCB_DP_ C2M_N6	GND
38	FMCB_DP_ C2M_N15	GND	FMCB_LA_ TX_N16	GND	NC	GND	3.3V	GND	GND	FMCB_ DP_ C2M_P5
39	GND	NC	GND	A10_VCCIO_ FMCB	GND	A10_VCCIO_ FMCB	GND	3.3V	GND	FMCB_ DP_ C2M_ N5
40	NC	GND	A10_VCCIO_ FMCB	GND	A10_VCCIO_ FMCB	GND	3.3V	GND	NC	GND
			LPC Connector	LPC Connector			HPC Connector	HPC Connector		

High Pin Count (HBC)

The High Pin Count FMC connections are assigned to columns G and H in both the FMCA (J1) and FMCB (J2) connectors as shown. The HPC signaling follows the Vita57.1 standard.

Low Pin Count (LPC)

The Low Pin Count FMC connections are assigned to columns C and D in both the FMCA (J1) and FMCB (J2) connectors as shown. The LPC signaling follows the Vita57.1 standard.

2021.03.19

UG-20007



Subscribe



Send Feedback

User Guide Revision History

Table A-1: Arria 10 FPGA Development Kit User Guide Revision History

Date	Description of Changes
2016.03.18	Production release.
2016.05.02	Added "Programming the Flash Using Quartus Programmer" section. Updated the Arria 10 FPGA Development Kit block diagram.
2017.07.25	<ul style="list-style-type: none"> Updated FMC on page 6-39 of Board Components. Changed all 1.4V PCML I/O Standard to "High Speed Differential I/O" throughout the User Guide. Updated Development Kit Package on page 2-2 section to remove references to installer
2017.08.08	Added a Caution note to Handling the Board on page 1-4
2017.09.21	Updated contents of FACTORY switch in SW6 DIP Switch Default Settings Table in Default Switch and Jumper Settings on page 3-2
2021.03.19	Updated Board Overview on page 6-1 [J14 - DDR4 memory (x72) 1200 MHz]

Intel Corporation. All rights reserved. Intel, the Intel logo, Altera, Arria, Cyclone, Enpirion, MAX, Nios, Quartus and Stratix words and logos are trademarks of Intel Corporation or its subsidiaries in the U.S. and/or other countries. Intel warrants performance of its FPGA and semiconductor products to current specifications in accordance with Intel's standard warranty, but reserves the right to make changes to any products and services at any time without notice. Intel assumes no responsibility or liability arising out of the application or use of any information, product, or service described herein except as expressly agreed to in writing by Intel. Intel customers are advised to obtain the latest version of device specifications before relying on any published information and before placing orders for products or services.

*Other names and brands may be claimed as the property of others.

ISO
9001:2015
Registered

Compliance and Conformity Statements

CE EMI Conformity Caution

This board is delivered conforming to relevant standards mandated by Directive 2004/108/EC. Because of the nature of programmable logic devices, it is possible for the user to modify the kit in such a way as to generate electromagnetic interference (EMI) that exceeds the limits established for this equipment. Any EMI caused as the result of modifications to the delivered material is the responsibility of the user.

