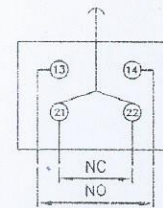
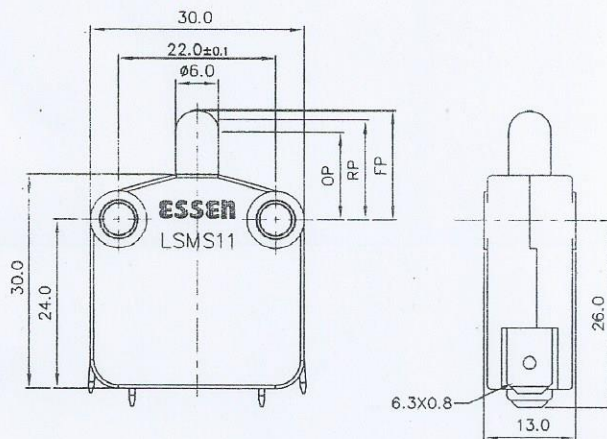




MINIATURE LIMIT SWITCH LSM - SERIES

Characteristics

- * Contact arrangement 1NO + 1NC.
- * Snap action operation.
- * Long overtravel plunger.
- * Suitable for applications where space is a limitation.
- * Suited for door interlocking & automatic control functions.
- * Conform to IEC 60947-5-1 standard.



Circuit diagram

Actuating Force Maximum grams	Free Position Maximum (FP) mm	Operating Position (OP) mm	Resetting Position (RP) mm
600	15.3	12.6±0.5	14±0.5

Specifications

Rated operational current (Ie)	: AC15 6A, at 24V – 400V, 50Hz. DC13 10A, at 24V DC 5A, at 48V DC 1.5A, at 110V DC 0.6A, at 230V DC
Thermal current	: 16A
Dielectric strength	: 2.0 KV AC
Mechanical life	: 1 X 10 ⁶ Operations
Electrical life	: 1 X 10 ⁶ Operations
Ambient temperature	: -20°C to +85°C
Degree of protection	: IP40 (enclosure)
Mounting	: Screw mounting

Materials

Housing : Fire retardant thermoplastic UL94 V-0
Plunger : Fire retardant thermoplastic UL94 V-0
Terminals : 6.3mm faston (quick connect) – Brass
Contacts : Silver

CAT. No. : LSMS 11

All dimensions are in mm.
Due to continuous improvement in products, we reserve the right to alter specifications without prior notice.

Essen Deinki

22, Industrial Area, Phase – II, Chandigarh – 160002 (INDIA)
Tel. : +91 172 – 4600600 (10 lines), Fax : +91 172 – 4600666