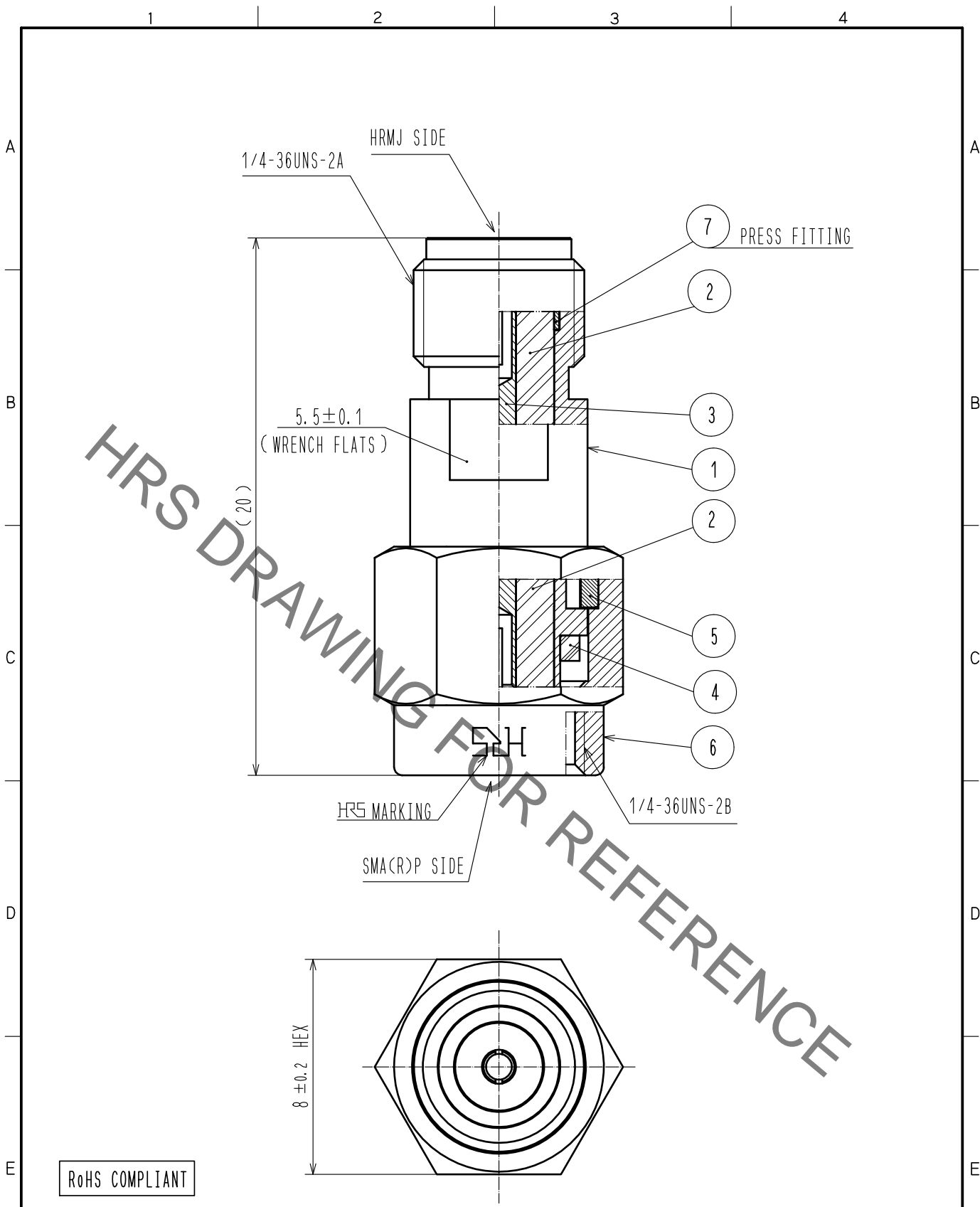


May.1.2023 Copyright 2023 HIROSE ELECTRIC CO., LTD. All Rights Reserved.  
 In case of consideration for using Automotive equipment / device which demand high reliability, kindly contact our sales window correspondents.



RoHS COMPLIANT

4	SILICON RUBBER						
3	BERYLLIUM COPPER	GOLD PLATING	7	STAINLESS STEEL	PASSIVATED		
2	PTFE		6	STAINLESS STEEL	PASSIVATED		
1	STAINLESS STEEL	PASSIVATED	5	BERYLLIUM COPPER	NICKEL PLATING		
NO.	MATERIAL	FINISH .	REMARKS	NO.	MATERIAL	FINISH .	REMARKS

UNITS mm		SCALE 5 : 1	COUNT 	DESCRIPTION OF REVISIONS	DESIGNED	CHECKED	DATE
HIROSE ELECTRIC CO., LTD.				APPROVED : KY. SHIMIZU 16.07.08 CHECKED : KY. SHIMIZU 16.07.08 DESIGNED : MH. OGUSU 16.07.08 DRAWN : MH. OGUSU 16.07.08	DRAWING NO. EDC-366797-00-00 PART NO. HRMJ-SMA(R>P CODE NO. CL323-0035-0-00		