



REED SWITCH DEVELOPMENTS CORP.

2524 Norwood Court

Racine, WI 53403

Ph: (262)883-9060

sales@reedswitchdevelopments.com

SPECIFICATION SHEET

2052-1960-000

Alternate Part Number:

AM2052-1960-00-01

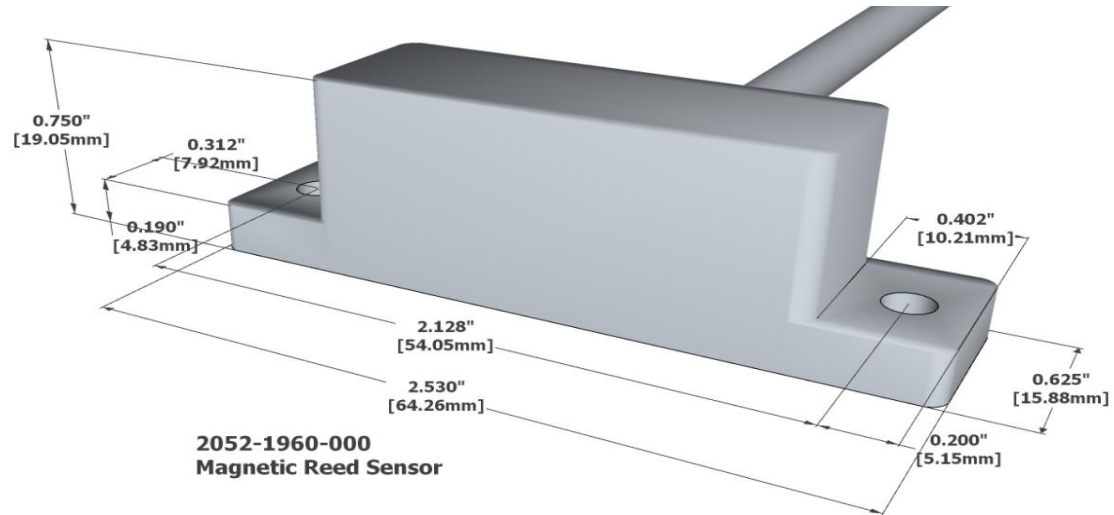
Active / Equivalent Part Numbers:

2052-1960-000 - Magnetic Reed Sensor Only

AM2052-1960-00-01 - Magnetic Reed Sensor Only

Sensor (Reed) - Specifications		1960
Physical	Configuration	SPST
	Form	A
	Contact Position	CENTER
	Glass L	24.50 mm
	Glass D	3.80 mm
	Total L*	55.00 mm
	Wire D	0.80 mm
	Gap Location	CENTER
	Mount Spec*	THRU
	Contact Material	RHODIUM
	Max Vibration Resistance	35 G
	Max Shock Resistance (11ms)	50 G
	Lead Tensile Strength	N/A KG
	Operating	Pull in (+/- 2AT)*
Drop out*		15 AT
Operate Time		2.50 ms
Bounce Time		0.50 ms
Release Time		0.10 μs
Resonant Frequency		2400 Hz
Max Operating Frequency		200 Hz
Operating Temperature Range		-40 - 105 °C
Storage Temperature		N/A °C
Electrical		DC Contact Rating
	AC Contact Rating	60 VA
	DC Switching Voltage	400 VDC
	AC Switching Voltage	400 VAC
	DC Switching Current	3.00 A
	AC Switching Current	3.00 A
	DC Max Carry Current	4.00 A
	AC Max Carry Current	4.00 A
	Min Breakdown Voltage	1000 VDC
	Max Initial Contact Resistance	80 mOhm
	Typical Initial Contact Resistance	N/A mOhm
	Max Contact Capacitance	0.50 pF
	Min Insulation Resistance	10 ¹¹ Ohm

* Pre-processed, bare reed element



**2052-1960-000
Magnetic Reed Sensor**

All measurements are in Inches [millimeters]

Sensor - Wire/Cable Characteristics (cont.)

Type	Cable
Conductor Count	2
Length	18.0"/457.2mm
Colors	RED, BLK
Insulation Material	PVC
Gauge	20 AWG
Stranded Copper	19 STR
Maximum Temp	105°C

Housing Characteristics 2052

Rectangular w/ Mounting Tabs/Holes	
Length	2.530"/64.26mm
Width	0.625"/15.88mm
Height	0.750"/19.05mm
Material	Celanex 3316

Standard Sensor/Actuator - Min. Actuation Distance

2053-4109-000	0.81"/20.6mm
Assembly Certifications	
UL Recognized (File #: E102207)	Y
RoHS / Reach Compliant	Y
Conflict Free Material	Y

REV DATE: 10/06/2021

DISCLAIMER NOTICE: INFORMATION FURNISHED IS PROPRIETARY, AND IS BELIEVED TO BE ACCURATE AND RELIABLE, AND IS SUBJECT TO CHANGE WITHOUT NOTICE. IT SHALL BE THE RESPONSIBILITY OF THE BUYER TO ENSURE THAT THE GOODS ARE SUFFICIENT AND SUITABLE FOR THE PURPOSE OR PURPOSES INTENDED (WHETHER BY THE BUYER OR BY ANY THIRD PARTY) AND THAT THEIR CAPACITY AND PERFORMANCE IS NOT ADVERSELY AFFECTED BY ANY ITEMS USED IN THEIR INSTALLATION (WHERE RELEVANT) AND/OR IN CONNECTION WITH THEM.

WBE Certified - State of Wisconsin - MFR CAGE CODE: 32604

www.reedswitchdevelopments.com