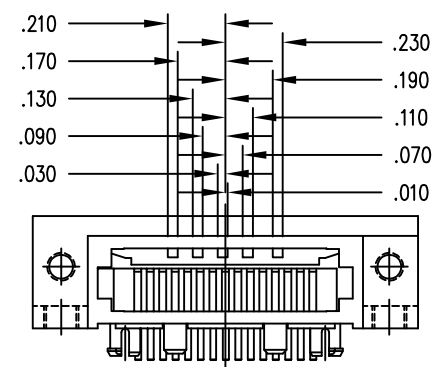
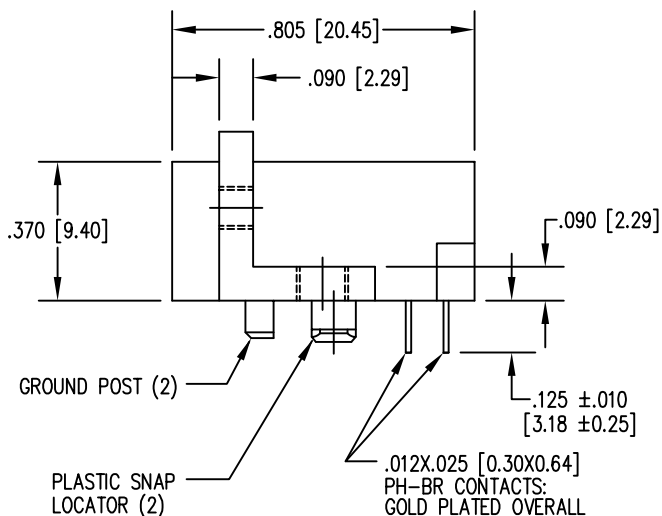
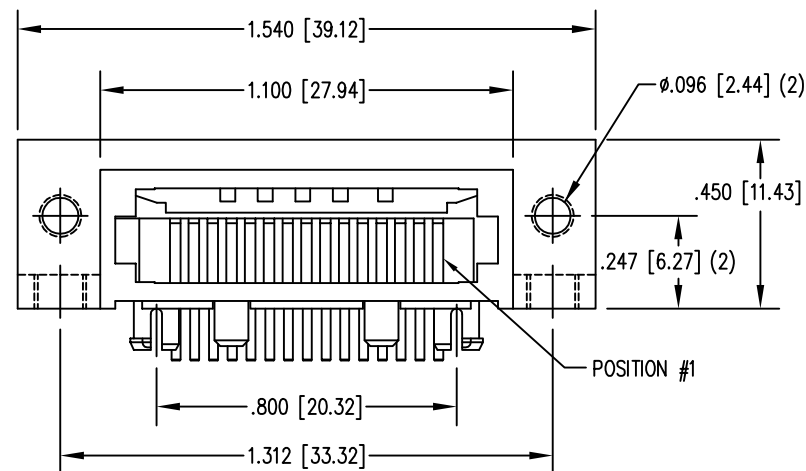
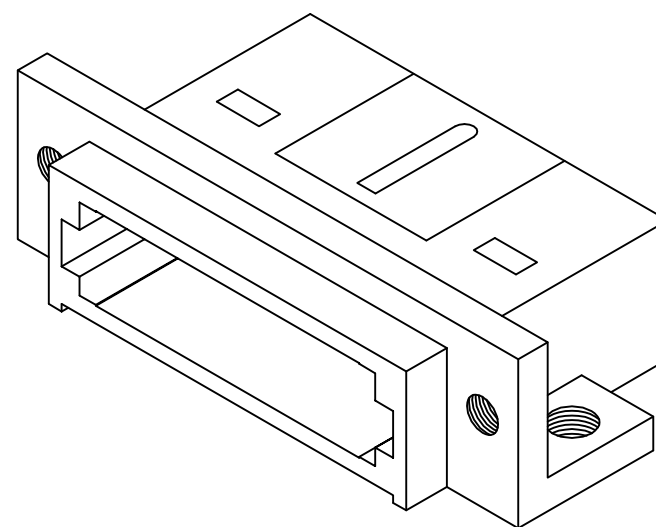
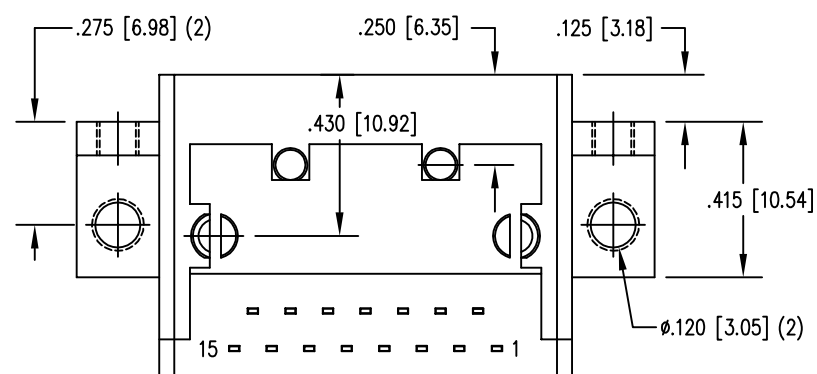


| DATE | REV | ECN | APP'D. BY |
|---------|-----|-------|-----------|
| 9-28-15 | A2 | 10429 | SMN |
| 3-28-16 | A3 | 10634 | TRM |
| | | | |
| | | | |

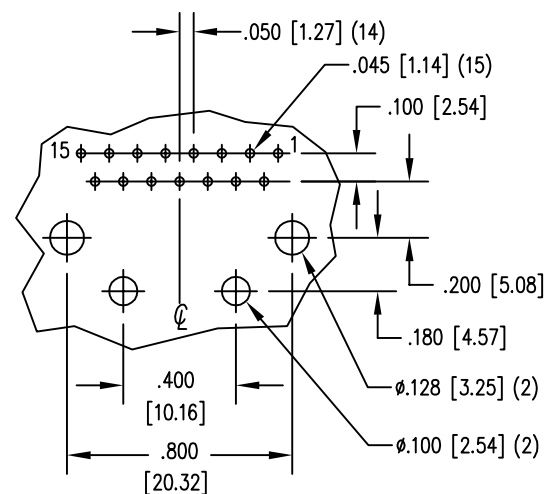


DIMENSIONS FOR KEY-1



NOTES:

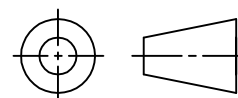
- CONNECTOR MATERIALS:
HOUSING: THERMOPLASTIC UL94 V-0
SHIELD: DIE CAST ALLOY
CONTACTS: COPPER ALLOY
SHIELD PLATING: TIN
CONTACT PLATING: SELECTIVE GOLD IN CONTACT AREA
SEE CHART FOR PART NUMBER
- FOR PRODUCT SPECIFICATIONS SEE PR026-01.
- TOLERANCES ARE ±006 [0.15] UNLESS OTHERWISE NOTED .



PC BOARD TOP VIEW

| | |
|-----------------------------------|-----------------------|
| | SS-61150-006 |
| | ROI PART NUMBER |
| 30 MICRO-INCHES [0.76um] | SS-611515-TLF-P-1-4/6 |
| CONTACT PLATING IN MATING AREA | LONG PART NUMBER |

THIRD ANGLE PROJECTION



1118 Susquehanna Trail South
Glen Rock, PA 17327-9199
(717) 235-7512

<http://www.stewartconnector.com>

DO NOT SCALE DRAWING
DRAWING IS SUBJECT TO
CHANGE WITHOUT NOTICE

TITLE: 15X15 COMPU-SHIELD JACK FINAL ASSY, FLANGED, KEYED
#4-40 TAP ON 0.096 HOLES AND #6-32 ON 0.120 HOLES.

DIMENSIONS: INCHES [METRIC]
UNLESS OTHERWISE SPECIFIED
TOLERANCES ARE ±.005 [0.13]
ANGLES ARE ± 1°

THIS DRAWING AND THE SUBJECT MATTER SHOWN THEREON
ARE CONFIDENTIAL AND THE PROPRIETARY PROPERTY OF
STEWART CONNECTOR AND SHALL NOT BE REPRODUCED,
COPIED, OR USED IN ANY MANNER WITHOUT PRIOR WRITTEN
CONSENT OF STEWART CONNECTOR. ONE OR MORE U.S. PATENTS
MAY APPLY TO THIS PRODUCT. FOR DETAILS, PLEASE
VISIT: [HTTP://BELFUSE.COM/STEWART/STEWART_PATENTS/](http://BELFUSE.COM/STEWART/STEWART_PATENTS/)

| | | | |
|----------|----------|------|---------|
| DRN BY: | TRM | DATE | 5-31-12 |
| APPD BY: | DHG | DATE | 5-31-12 |
| DWG NO. | CT610038 | REV. | A3 |

SHEET NO. 1 OF 1

