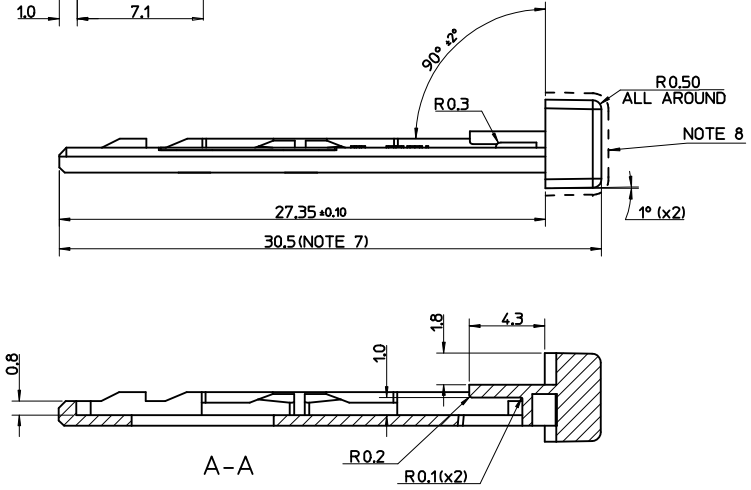


SCALE 2:1



NOTES:

1. PROTRUSION OF BRIDGE TERMINAL FROM HOUSING IS 0.08 MAX.
2. SEE PRODUCT SPECIFICATION PS-99020-0071.
3. PACKAGING: LOOSE IN BAG.
4. PART I.D. TO BE 0.8 HIGH & RELIEVED 0.1 BELOW SURFACE.
5. MOLEX LOGO 'MXI' & CAVITY NUMBER '#' TO BE 1.0 HIGH & RAISED 0.1MAX.
6. BRIDGE TERMINAL MUST NOT PROTRUDE BEYOND EDGES SHOWN.
7. APPLICABLE DIMENSIONS FOR PROCESS CAPABILITY STUDY.
8. SURFACE FINISH: CHARMILLE 31 ON 5 VISIBLE SURFACES OF FRONT FACE.
9. UNSPECIFIED DRAFT 5°

ITEM	COMPONENT	QTY	MATERIAL
▽	HOUSING	1	POLYESTER (PBT), 30% GLASS FILL, UL-94 V-0 COLOUR BLACK
▽	TERMINAL	1	PHOSPHOR BRONZE, Au IN CONTACT AREA.

MODIFY VIEWS EC NO: E2008-0022 DRAWN: DCARTON 2007/10/18 CHKD: 2007/10/18 APPR: BMAGUIRE 2007/10/19 REV: DESCRIPTION	QUALITY SYMBOLS ▽=0 ▽=0	GENERAL TOLERANCES (UNLESS SPECIFIED) <table border="1"> <tr> <th></th> <th>mm</th> <th>INCH</th> </tr> <tr> <td>4 PLACES</td> <td>± ---</td> <td>± ---</td> </tr> <tr> <td>3 PLACES</td> <td>± ---</td> <td>± ---</td> </tr> <tr> <td>2 PLACES</td> <td>± 0.10</td> <td>± ---</td> </tr> <tr> <td>1 PLACE</td> <td>± 0.20</td> <td>± ---</td> </tr> <tr> <td colspan="3">ANGULAR ± 2°</td> </tr> </table>		mm	INCH	4 PLACES	± ---	± ---	3 PLACES	± ---	± ---	2 PLACES	± 0.10	± ---	1 PLACE	± 0.20	± ---	ANGULAR ± 2°			DIMENSION STYLE MM ONLY	SCALE 5:1	DESIGN UNITS METRIC	THIRD ANGLE PROJECTION
		mm	INCH																					
4 PLACES	± ---	± ---																						
3 PLACES	± ---	± ---																						
2 PLACES	± 0.10	± ---																						
1 PLACE	± 0.20	± ---																						
ANGULAR ± 2°																								
DRAWN BY DCARTON	DATE 02/07/30	TITLE CARD HOLDER	CHECKED BY EFOLAN	DATE 02/07/30	APPROVED BY MWILHITE	DATE 02/07/30																		
MATERIAL NO. 91236 0006	DOCUMENT NO. SDA-91236-006	SHEET NO. 1 OF 1	THIS DRAWING CONTAINS INFORMATION THAT IS PROPRIETARY TO MOLEX INCORPORATED AND SHOULD NOT BE USED WITHOUT WRITTEN PERMISSION																					