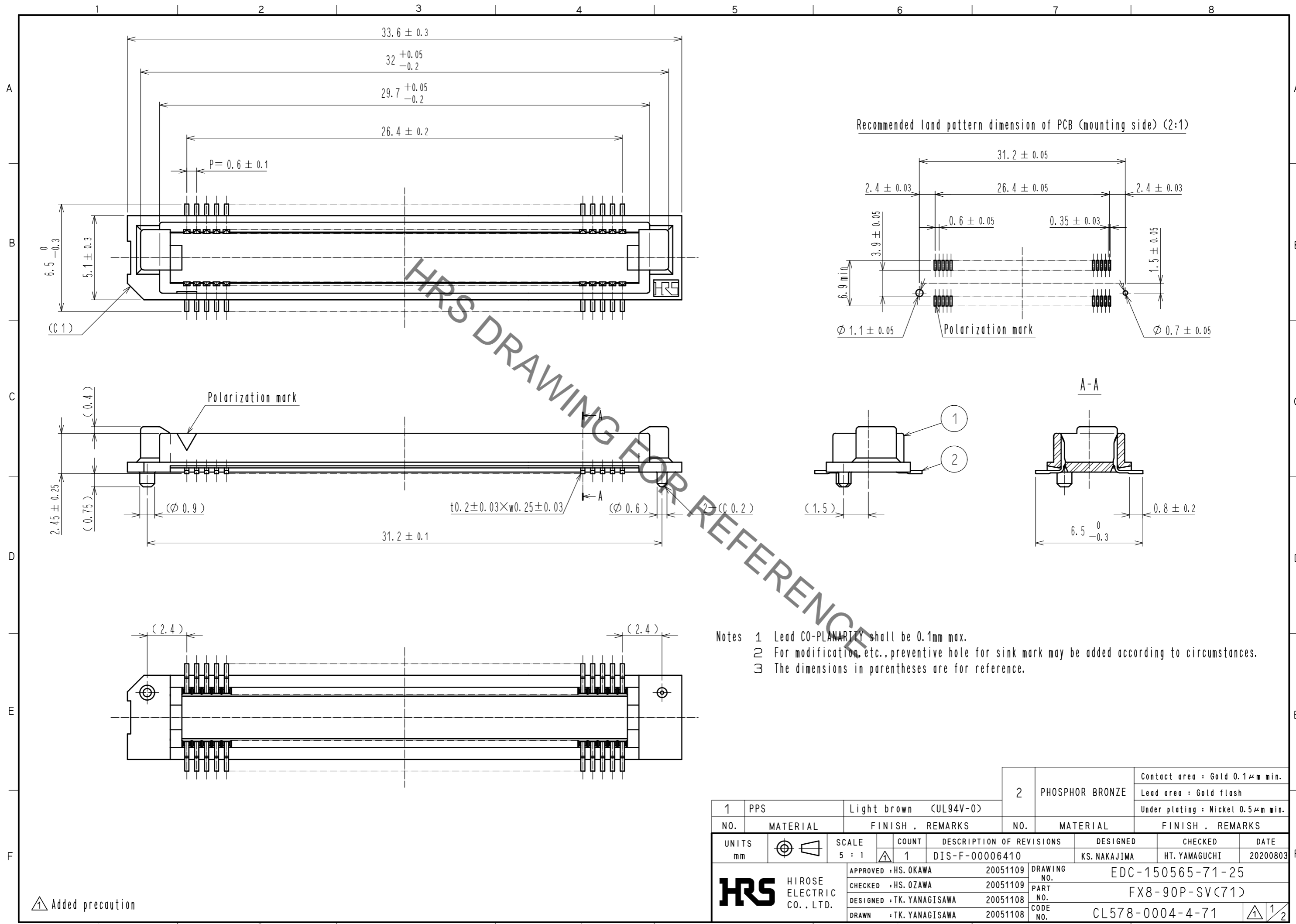
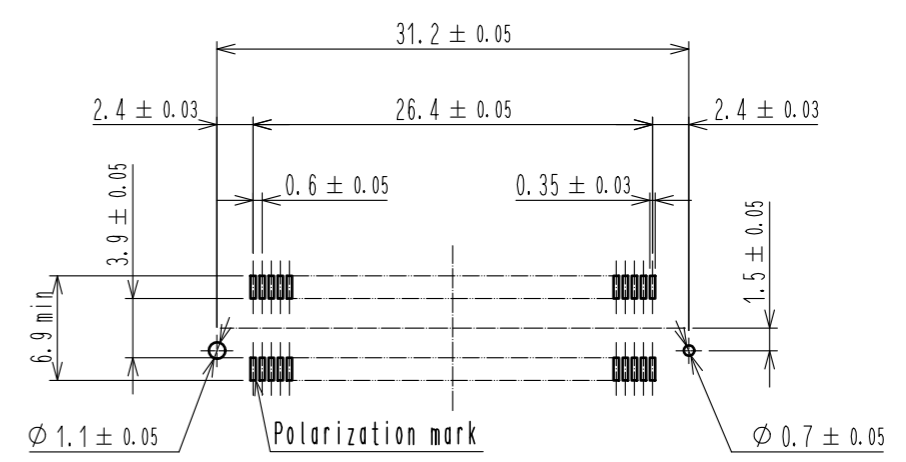


May.1.2023 Copyright 2023 HIROSE ELECTRIC CO., LTD. All Rights Reserved.
In case of consideration for using Automotive equipment / device which demand high reliability, kindly contact our sales window correspondents.



Recommended land pattern dimension of PCB (mounting side) (2:1)



- Notes
- 1 Lead CO-PLANARITY shall be 0.1mm max.
 - 2 For modification, etc., preventive hole for sink mark may be added according to circumstances.
 - 3 The dimensions in parentheses are for reference.

1	PPS	Light brown (UL94V-0)	2	PHOSPHOR BRONZE	Contact area : Gold 0.1μm min. Lead area : Gold flash Under plating : Nickel 0.5μm min.		
NO.	MATERIAL	FINISH . REMARKS	NO.	MATERIAL	FINISH . REMARKS		
UNITS mm		SCALE 5 : 1	COUNT 1	DESCRIPTION OF REVISIONS DIS-F-00006410	DESIGNED KS. NAKAJIMA	CHECKED HT. YAMAGUCHI	DATE 20200803
HRS HIROSE ELECTRIC CO., LTD.		APPROVED : HS. OKAWA	20051109	DRAWING NO. EDC-150565-71-25			
		CHECKED : HS. OZAWA	20051109	PART NO. FX8-90P-SV(71)			
		DESIGNED : TK. YANAGISAWA	20051108	CODE NO. CL578-0004-4-71			
		DRAWN : TK. YANAGISAWA	20051108				

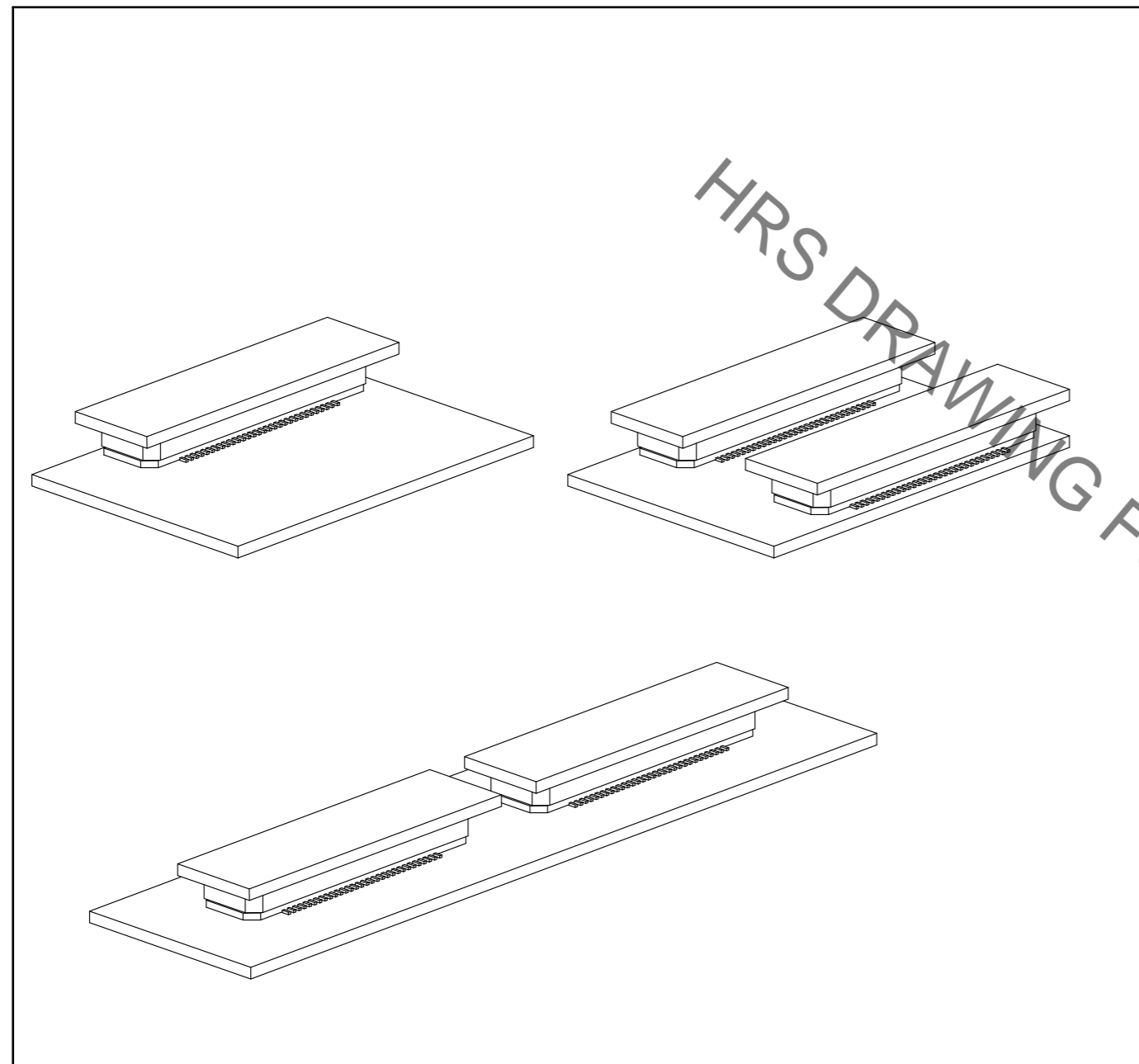
Added precaution

May.1.2023 Copyright 2023 HIROSE ELECTRIC CO., LTD. All Rights Reserved.
In case of consideration for using Automotive equipment / device which demand high reliability, kindly contact our sales window correspondents.

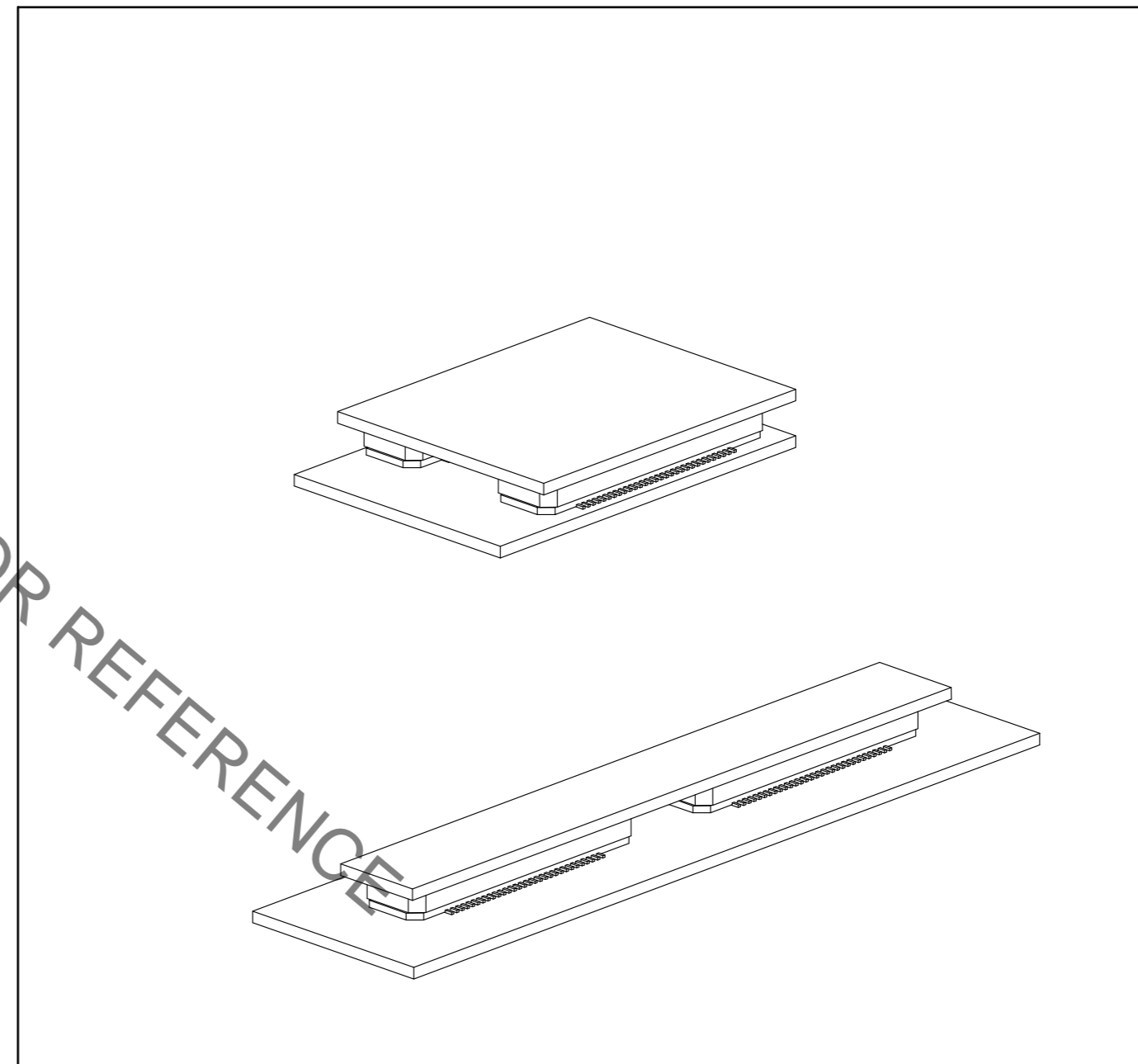
【 Precaution 】

When a board with multiple connectors mounted is mated, the connector may be damaged or deformed.
Please divide one side of the board so only one connector is mated per board.

OK



NG



HRS DRAWING FOR REFERENCE

HRS	DRAWING NO.	EDC-150565-71-25
	PART NO.	FX8-90P-SV(71)
	CODE NO.	CL578-0004-4-71
		2/2