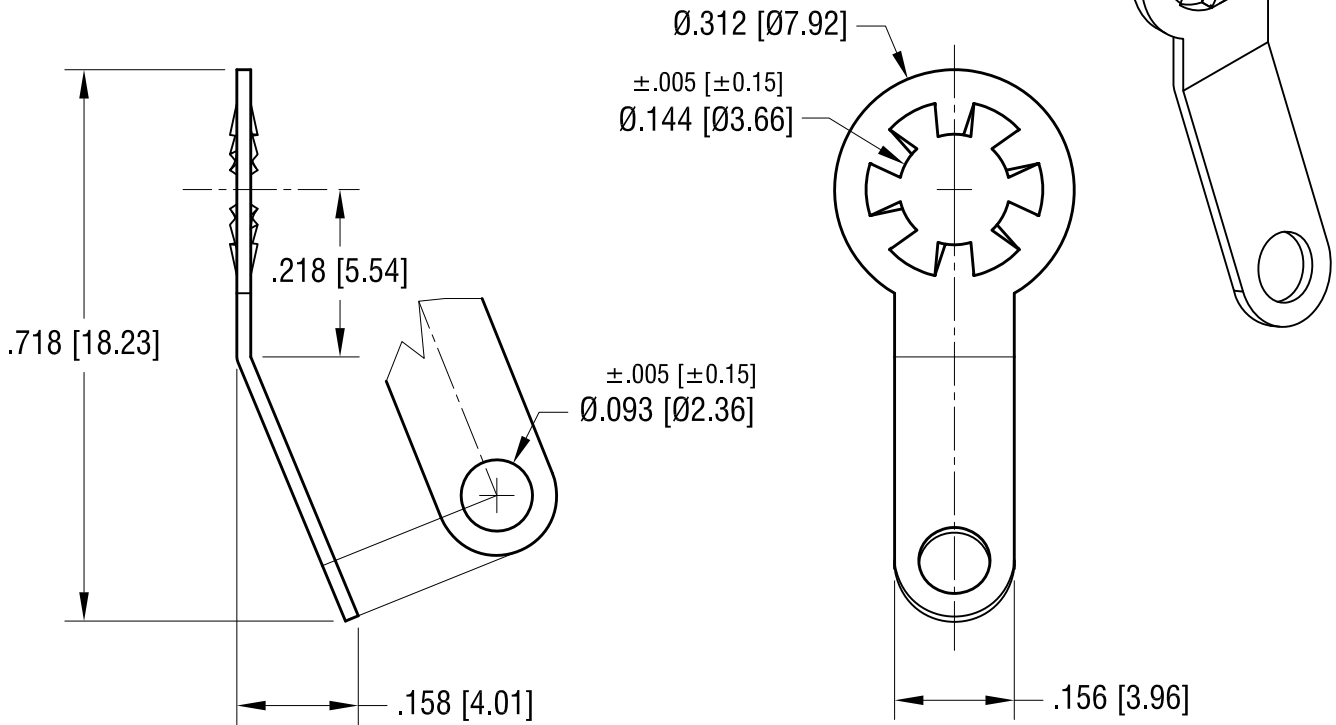


THIS DOCUMENT IS THE PROPERTY OF  
KEYSTONE ELECTRONICS CORP. AND  
SHALL NOT BE REPRODUCED, DISTRIBUTED  
OR USED AS A BASIS FOR MANUFACTURE  
WITHOUT PRIOR WRITTEN PERMISSION  
FROM KEYSTONE ELECTRONICS CORP.



6.24.09	CHANGE AS PER ECN 09-079	B
1.28.09	CHANGE AS PER ECN 09-006	A
DATE	DESCRIPTION	REV.

<b>KEYSTONE ELECTRONICS CORP.</b>			
www.keyelco.com • ASTORIA, N.Y. 11105-2017 • Tel (718) 956-8900			
PART NAME LOCKWASHER TERMINAL LUG			
MATERIAL .018 [0.45] TH'K BRASS			
FINISH MATTE TIN PLATE		DRN BY NT	DATE 4.03.08
		APP'D	SCALE 4X
TOLERANCES DECIMAL ANGULAR UNLESS OTHERWISE SPECIFIED	INCH [MM] ±.010 [±0.25] ± 1°	CODE C	DWG NO. <b>7315</b>