

10 9 8 7 6 5 4 3 2 1

F

E

D

C

B

A

F

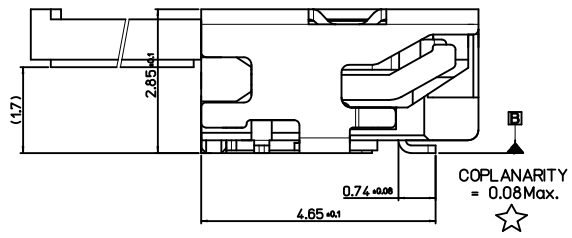
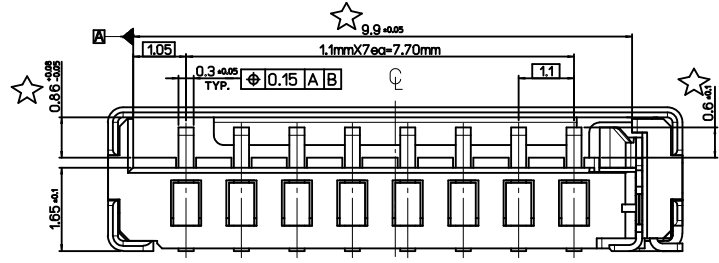
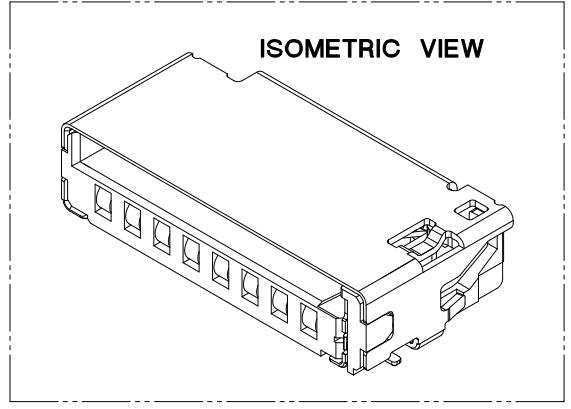
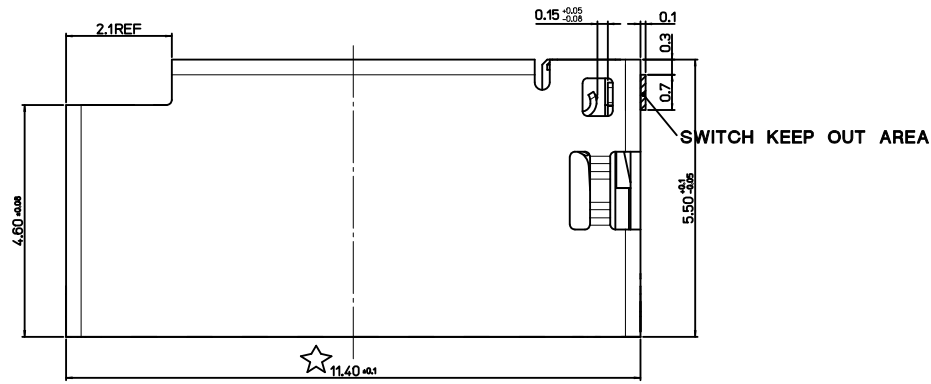
E

D

C

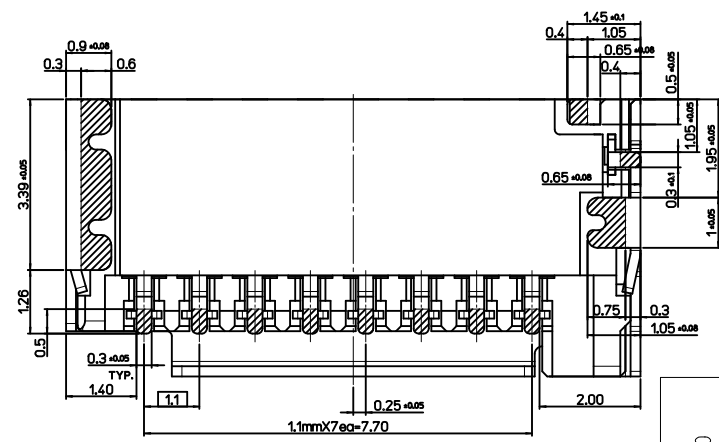
B

A



**NOTES**

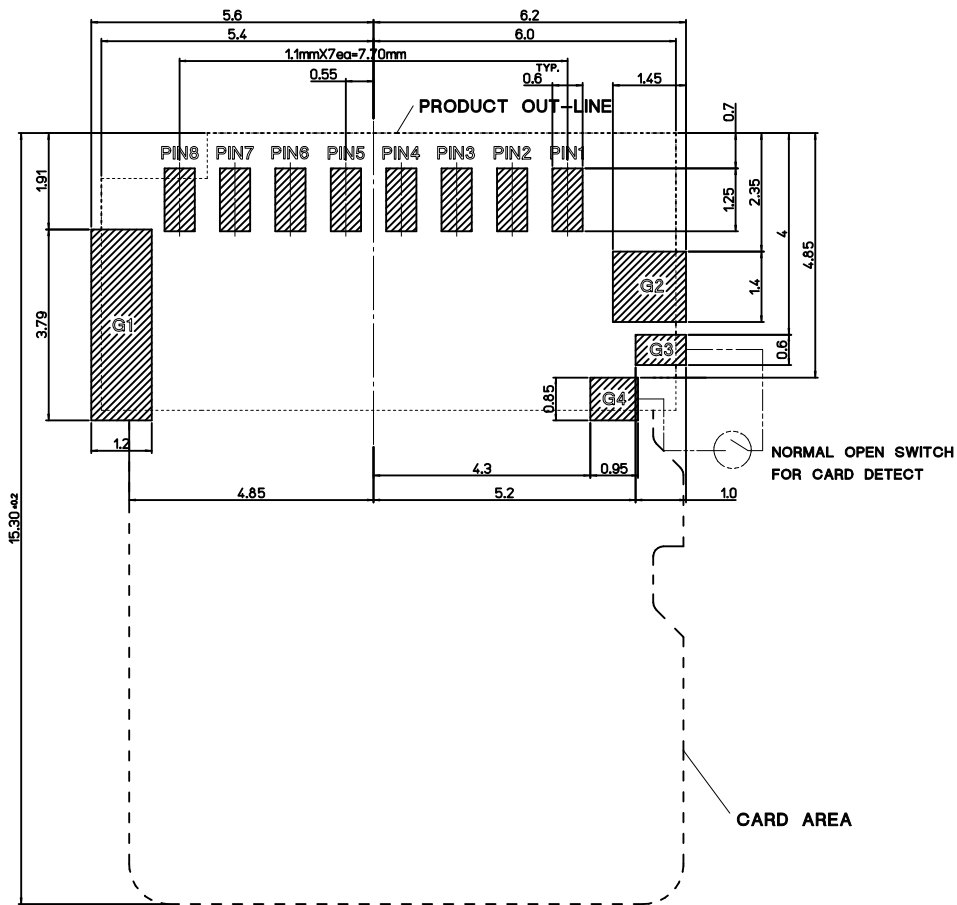
- MATERIALS:**
  - 1-1. HOUSING : HIGH TEMPERATURE THERMOPLASTIC,UL 94V-0,BLACK
  - 1-2. CONTACT TERL & SWITCH TERL & DETECT TER : PHOS-BRONZE
  - 1-3. METAL SHELL : STAINLESS STEEL
- FINISHES:**
  - 2-1. CONTACT TERL : 1.25-5.5 MICRON NICKEL UNDER-PLATED  
MIN. 0.2 MICRON GOLD ON CONTACT AREA,  
MIN. 0.05 MICRON GOLD ON SOLDER AREA
  - 2-2. METAL SHELL: MIN. 0.05 MICRO GOLD PLATED ON SOLDER AREA  
OVER 1.25-3.0 MICRON NICKEL OVERALL
  - 3-3. DETECT TERL : 1.25-5.5 MICRON NICKEL UNDER-PLATED  
MIN.0.1 MICRON GOLD ON CONTACT AREA,  
MIN. 0.05 MICRON GOLD ON OTHER AREA.
  - 3-4. SWITCH TERL : 1.25-5.5 MICRON NICKEL UNDER-PLATED  
MIN. 0.1 MICRON GOLD MIN ON CONTACT AREA,  
MIN. 0.05 MICRON GOLD ON OTHER AREA
- PRODUCT SPECIFICATION :** PS-104032 -001
- COPLANARITY OF SOLDER TAILS :** 0.08mm MAX.(BEFORE & AFTER REFLOW)  
MISALIGNMENT OF SOLDER TAIL FROM 'B'  
UPPER DIRECTION 0.05 MAX., LOWER DIRECTION 0.1MAX.
- PACKAGING SPECIFICATION :** PK-104032 -001
- IS CTQ DIMENSION :** MOLEX MAJOR QUALITY SYMBOLS



1040320821	104032-0821
MATERIAL NO.	ORDER NO.

<b>REVISED</b> EC NO: KOR2011-0050 DRWN:HYOU 2010/11/23 CHKD:YSOOKIM 2010/11/23 APPR:YUNSIKKIM 2010/11/23	QUALITY SYMBOLS F <sub>A</sub> =0 F <sub>C</sub> =0 F <sub>P</sub> =0	GENERAL TOLERANCES (UNLESS SPECIFIED)		DIMENSION STYLE MM ONLY		SCALE 10:1	DESIGN UNITS METRIC	THIRD ANGLE PROJECTION		
			mm	INCH	DRAWN BY	DATE	TITLE			
		4 PLACES	± ---	± ---	S. H. CHU	2008/11/11	MICROSD HEADER T-2.85 WITH DETECT, PUSH/PULL			
		3 PLACES	± ---	± ---	CHECKED BY	DATE				
2 PLACES	± 0.10	± ---	S. H. CHU	2008/11/11	MOLEX INCORPORATED					
1 PLACE	± 0.15	± ---	APPROVED BY	DATE						
ANGULAR ± 1 °		DRAFT WHERE APPLICABLE MUST REMAIN WITHIN DIMENSIONS		MATERIAL NO. SEE TABLE		DOCUMENT NO. SD-104032-001		SHEET NO. 1 OF 3		
				SIZE	THIS DRAWING CONTAINS INFORMATION THAT IS PROPRIETARY TO MOLEX INCORPORATED AND SHOULD NOT BE USED WITHOUT WRITTEN PERMISSION					

9 8 7 6 5 4 3 2 1

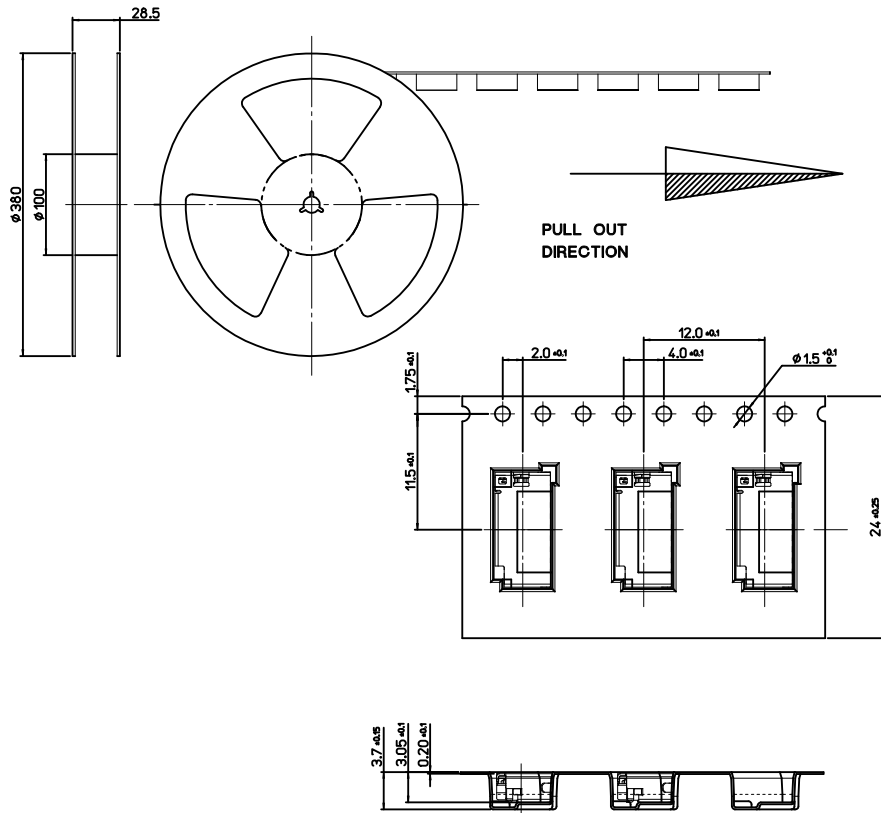


PIN NUMBER	DESCRIPTION
P1	DAT2
P2	CD/DAT3
P3	CMD
P4	VDD
P5	CLK
P6	VSS
P7	DAT0
P8	DAT1
G1	GND
G2	GND
G3	POL
G4	DET

**RECOMMENDED PCB PATTERN LAYOUT**

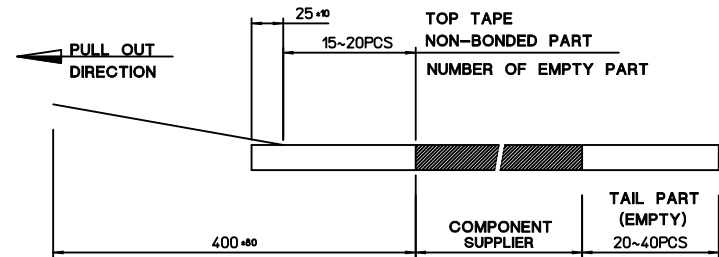
TOLERANCE : ±0.05

<b>REVISED</b> EC NO: KOR2011-0050 DRWN:HYOU 2010/11/23 CHKD:YSOOKIM 2010/11/23 APPR:YUNSIKKIM 2010/11/23	QUALITY SYMBOLS $F_A=0$ $F_C=0$ $F_P=0$	GENERAL TOLERANCES (UNLESS SPECIFIED)		DIMENSION STYLE <b>MM ONLY</b>		SCALE <b>10:1</b>	DESIGN UNITS <b>METRIC</b>	THIRD ANGLE PROJECTION		
			mm	INCH	DRAWN BY	DATE	TITLE			
		4 PLACES	±	±	S. H. CHU	2008/11/11	<b>MICROSD HEADER T-2.85 WITH DETECT, PUSH/PULL</b>			
		3 PLACES	±	±	CHECKED BY	DATE				
2 PLACES	± 0.10	±	S. H. CHU	2008/11/11	<b>MOLEX INCORPORATED</b>					
1 PLACE	± 0.15	±	APPROVED BY	DATE						
ANGULAR ± 1°		DRAFT WHERE APPLICABLE MUST REMAIN WITHIN DIMENSIONS		S. J. SEH 2008/11/11		MATERIAL NO. <b>ENTER PART</b>		DOCUMENT NO. <b>SD-104032-001</b>		
				SIZE	THIS DRAWING CONTAINS INFORMATION THAT IS PROPRIETARY TO MOLEX INCORPORATED AND SHOULD NOT BE USED WITHOUT WRITTEN PERMISSION					

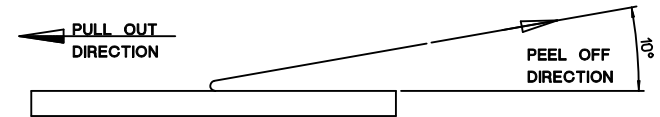


NOTES

1. QUANTITY OF CONNECTORS : 2,000PCS/REEL
2. LEAD LENGTH



3. PEELING OFF FORCE OF COVER TAPE : 0.1N~0.59N(10.2GF~60GF)  
(PEELING DIRECTION AS SHOW IN FOLLOW FIG.)  
- PEELING OFF SPEED : 300mm/Min.(Ref.)



REVISED EC NO: KOR2011-0050 DRWN:HYOU 2010/11/23 CHKD:YSOOKIM 2010/11/23 APPR:YUNSIKKIM 2010/11/23	DESCRIPTION REV	QUALITY SYMBOLS		GENERAL TOLERANCES (UNLESS SPECIFIED)		DIMENSION STYLE		SCALE	DESIGN UNITS	THIRD ANGLE PROJECTION	
				mm	INCH	MM ONLY		10:1	METRIC		
		$F_A=0$	$F_C=0$	4 PLACES	$\pm$	$\pm$	DRAWN BY	DATE	TITLE		
		$F_B=0$	$F_D=0$	3 PLACES	$\pm$	$\pm$	S. H. CHU	2008/11/11	MICROSD HEADER T-2.85 WITH DETECT, PUSH/PULL		
		2 PLACES	$\pm 0.15$	$\pm$	CHECKED BY	DATE	MOLEX INCORPORATED				
		1 PLACE	$\pm 0.25$	$\pm$	S. H. CHU	2008/11/11	MATERIAL NO. ENTER PART				
		ANGULAR $\pm 1^\circ$		DRAFT WHERE APPLICABLE MUST REMAIN WITHIN DIMENSIONS		APPROVED BY		DATE	DOCUMENT NO. SD-104032-001		
						S. J. SEH		2008/11/11	SHEET NO. 3 OF 3		
						MATERIAL NO. ENTER PART		DOCUMENT NO. SD-104032-001		SHEET NO. 3 OF 3	
						SIZE A3		THIS DRAWING CONTAINS INFORMATION THAT IS PROPRIETARY TO MOLEX INCORPORATED AND SHOULD NOT BE USED WITHOUT WRITTEN PERMISSION			