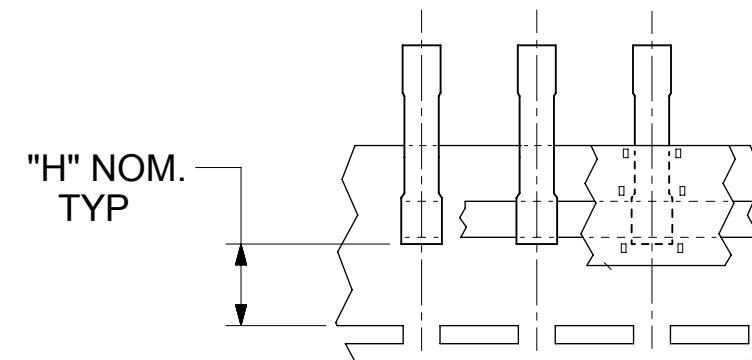
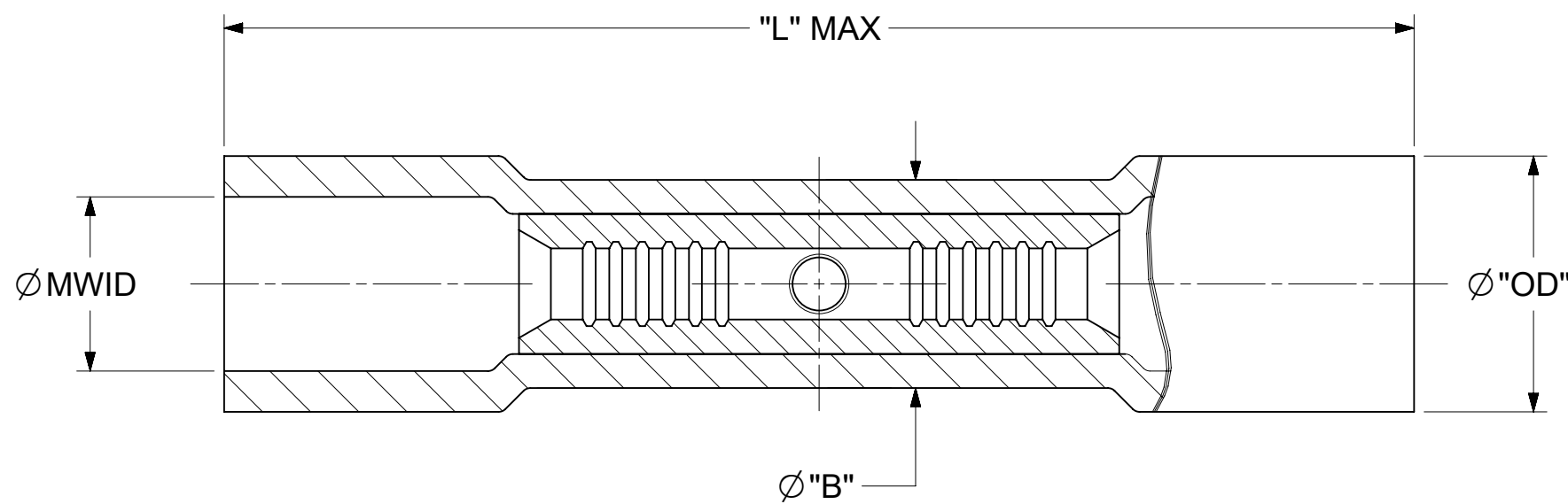
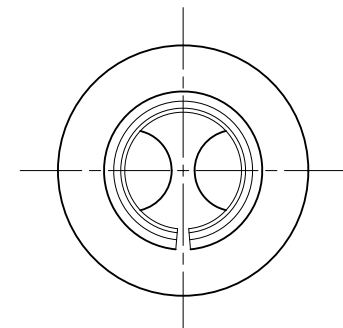


MATERIAL NO.	ENG. NO.	MATERIAL NO. (TAPED)	ENG NO. (TAPED)	COLOR	MWID	OD (MAX)	"L" MAX	"B" (MAX)	ID (MIN)	"H" (NOM)
191540004	A-245X	191540006	A-245XT	RED	.150 (3.81)	.24 (6.1)	.98 (24.9)	.20 (5.1)	.060 (1.52)	.49 (12.4)
191540015	B-231X	191540017	B-231XT	BLUE	.175 (4.45)	.27 (6.9)	1.00 (25.4)	.24 (6.1)	.080 (2.03)	
191540028	C-246X	191540030	C-246XT	YELLOW	.260 (6.60)	.36 (9.2)	1.14 (29.0)	.30 (7.6)	.125 (3.17)	.43 (10.9)



TAPE MOUNTED PARTS



NOTES:

1. MATERIALS: PVC INSULATION OVER TIN-PLATED COPPER SPLICE.
2. COLOR: SEE CHART.
3. MWID = MAXIMUM WIRE INSULATION DIAMETER
4. PARTS ARE RoHS COMPLIANT.

THIS DRAWING CONTAINS INFORMATION THAT IS PROPRIETARY TO MOLEX ELECTRONIC TECHNOLOGIES, LLC AND SHOULD NOT BE USED WITHOUT WRITTEN PERMISSION																																	
FUNCTIONAL SYMBOLS	DIMENSION UNITS		SCALE		CURRENT REV DESC: "L MAX" DIM UPDATE: .98 WAS .97 & 1.00 WAS .98																												
	INCH/MM		NTS		molex BUTT SPLICE CONNECTOR, INSULKRIMP PRODUCT CUSTOMER DRAWING																												
GENERAL TOLERANCES (UNLESS SPECIFIED)																																	
<table border="1"> <thead> <tr> <th></th> <th>MM</th> <th>INCH</th> </tr> </thead> <tbody> <tr> <td>4 PLACES</td> <td>±</td> <td>±</td> </tr> <tr> <td>3 PLACES</td> <td>±</td> <td>± 0.005</td> </tr> <tr> <td>2 PLACES</td> <td>± 0.13</td> <td>± 0.01</td> </tr> <tr> <td>1 PLACE</td> <td>± 0.25</td> <td>±</td> </tr> <tr> <td>0 PLACES</td> <td>±</td> <td>±</td> </tr> </tbody> </table>												MM	INCH	4 PLACES	±	±	3 PLACES	±	± 0.005	2 PLACES	± 0.13	± 0.01	1 PLACE	± 0.25	±	0 PLACES	±	±					
	MM	INCH																															
4 PLACES	±	±																															
3 PLACES	±	± 0.005																															
2 PLACES	± 0.13	± 0.01																															
1 PLACE	± 0.25	±																															
0 PLACES	±	±																															
<table border="1"> <thead> <tr> <th>EC NO:</th> <th>DRWN:</th> <th>CHKD:</th> <th>APPR:</th> <th>DATE:</th> </tr> </thead> <tbody> <tr> <td>713658</td> <td>DMYRICK</td> <td>THEANY</td> <td>THEANY</td> <td>2022/07/08</td> </tr> </tbody> </table>										EC NO:	DRWN:	CHKD:	APPR:	DATE:	713658	DMYRICK	THEANY	THEANY	2022/07/08														
EC NO:	DRWN:	CHKD:	APPR:	DATE:																													
713658	DMYRICK	THEANY	THEANY	2022/07/08																													
<table border="1"> <thead> <tr> <th>INITIAL REVISION:</th> <th>DRWN:</th> <th>CHKD:</th> <th>APPR:</th> <th>DATE:</th> </tr> </thead> <tbody> <tr> <td></td> <td>ETHRODAHL</td> <td>THEANY</td> <td>JMACNEIL</td> <td>2009/07/09</td> </tr> </tbody> </table>										INITIAL REVISION:	DRWN:	CHKD:	APPR:	DATE:		ETHRODAHL	THEANY	JMACNEIL	2009/07/09														
INITIAL REVISION:	DRWN:	CHKD:	APPR:	DATE:																													
	ETHRODAHL	THEANY	JMACNEIL	2009/07/09																													
DIVISIONAL SYMBOLS		ANGULAR TOL		± 0.5°		THIRD ANGLE PROJECTION		DRAWING		SERIES																							
DRAFT WHERE APPLICABLE MUST REMAIN WITHIN DIMENSIONS		THIRD ANGLE PROJECTION		DRAWING		SERIES		MATERIAL NUMBER		CUSTOMER																							
				B-SIZE		19154		SEE CHART		GENERAL MARKET																							
DOCUMENT STATUS		P1		RELEASE DATE		2022/07/11 18:35:51		DOCUMENT NUMBER		SD-19154-006																							
								DOC TYPE		PSD																							
								DOC PART		001																							
								REVISION		A1																							
								SHEET NUMBER		1 OF 1																							