



**Connective Peripherals Pte Ltd**

**DS\_USB2-H-6002 High-Speed USB to 2-  
Port RS422 Adapter  
Datasheet**

**Document Reference No.: CP\_000016**

**Version 1.2**

**Issue Date: 2019-03-08**

The USB-COM-Plus adaptors are a family of communication devices from Connective Peripherals Pte Ltd. This model, USB2-H-6002, provides a simple method of adapting legacy serial devices with two RS422 interfaces to modern USB ports by incorporating the FTDI FT2232H Hi-Speed USB bridge chip.

Indicator LEDs provide functional status.

**Connective Peripherals Pte Ltd  
178 Paya Lebar Road, #07-03 Singapore 409030  
Tel.: +65 67430980 Fax: +65 68416071**

E-Mail (Support): [support@connectiveperipherals.com](mailto:support@connectiveperipherals.com) Web: [www.connectiveperipherals.com/products](http://www.connectiveperipherals.com/products)

Neither the whole nor any part of the information contained in, or the product described in this manual, may be adapted or reproduced in any material or electronic form without the prior written consent of the copyright holder. This product and its documentation are supplied on an as-is basis and no warranty as to their suitability for any particular purpose is either made or implied. Connective Peripherals Pte Ltd will not accept any claim for damages howsoever arising as a result of use or failure of this product. Your statutory rights are not affected. This product or any variant of it is not intended for use in any medical appliance, device or system in which the failure of the product might reasonably be expected to result in personal injury. This document provides preliminary information that may be subject to change without notice. No freedom to use patents or other intellectual property rights is implied by the publication of this document. Connective Peripherals Pte Ltd, 178 Paya Lebar Road, #07-03 Singapore 409030. Registered Number: 201617872E

**Copyright © Connective Peripherals Pte Ltd**

## **Table of Contents**

|          |   |           |
|----------|---|-----------|
| <b>1</b> | <b>Introduction</b>                               | <b>4</b>  |
| 1.1      | Functional Description                            | 4         |
| 1.2      | LED Description                                   | 5         |
| 1.3      | Block Diagram                                     | 5         |
| 1.3.1    | Block description                                 | 5         |
| 1.4      | Features  | 6         |
| 1.5      | Performance Figures                               | 6         |
| 1.6      | Ordering Information                              | 7         |
| <b>2</b> | <b>Installation</b>                               | <b>8</b>  |
| 2.1      | Hardware Installation                             | 8         |
| 2.1.1    | Mounting  | 8         |
| 2.1.2    | Wiring  | 8         |
| 2.2      | Device Driver Installation                        | 9         |
| 2.2.1    | Microsoft Windows                                 | 9         |
| 2.2.2    | Mac OS X, Linux, Windows CE                       | 13        |
| <b>3</b> | <b>Connections</b>                                | <b>14</b> |
| 3.1      | External Connectors                               | 14        |
| 3.1.1    | USB   | 14        |
| 3.1.2    | RS422   | 14        |
| <b>4</b> | <b>Electrical Details</b>                         | <b>15</b> |
| 4.1      | USB   | 15        |
| 4.2      | RS422   | 15        |
| <b>5</b> | <b>Mechanical Details</b>                         | <b>16</b> |
| 5.1      | Module Mechanical Dimensions                      | 16        |
| 5.2      | UniClip™ Mechanical Dimensions                    | 17        |
| <b>6</b> | <b>Physical Environment Details</b>               | <b>18</b> |
| 6.1      | Storage Temperature                               | 18        |
| 6.2      | Operating Temperature                             | 18        |
| <b>7</b> | <b>Environmental Approvals &amp; Declarations</b> | <b>19</b> |
| 7.1      | EMI Compatibility                                 | 19        |
| 7.2      | Safety  | 19        |

|  |           |
|--|-----------|
| <b>7.3 Environmental.....</b>                        | <b>19</b> |
| <b>7.4 Reliability.....</b>                          | <b>19</b> |
| 7.4.1 MTTF .....                                     | 19        |
| <b>7.5 Import / Export Information .....</b>         | <b>20</b> |
| <b>8 Troubleshooting .....</b>                       | <b>21</b> |
| <b>8.1 Hardware.....</b>                             | <b>21</b> |
| <b>8.2 Device Driver .....</b>                       | <b>21</b> |
| <b>8.3 Technical Support .....</b>                   | <b>22</b> |
| <b>9 Contact Information.....</b>                    | <b>23</b> |
| <b>Appendix A - List of Figures and Tables .....</b> | <b>24</b> |
| List of Figures .....                                | 24        |
| List of Tables.....                                  | 24        |
| <b>Appendix B - Revision History.....</b>            | <b>25</b> |

## 1 Introduction

### 1.1 Functional Description

The USB-COM-Plus adaptors are a family of communication devices. This model, USB2-H-6002, provides a simple method of adapting legacy serial devices with RS422 interfaces to a modern USB 2.0 Hi-Speed port. This is accomplished by incorporating the industry standard FTDI FT2232H Hi-Speed USB-Serial bridge chip.

Each USB2-H-6002 adapter contains a small internal electronic circuit board which utilises the FTDI FT2232H, mounted inside a rugged plastic enclosure capable of withstanding industrial temperature ranges. The integrated electronics also include RS422 level shifters and TXD/RXD LEDs to provide a visual indication of data traffic through the adapter.



Figure 1.1 USB-COM-Plus USB2-H-6002

Flexible mounting allows the USB2-H-6002 to be used in a variety of applications, from a portable adapter to accompany a laptop to permanent installations in industrial, commercial and retail locations.

The enclosure incorporates a standard USB-Mini B client connector for connection to an upstream host or hub port. RS422-level signals are available on each of the 2 port industry-standard DE-9P connector. The maximum RS422-level data rate is 10Mbps.

The USB2-H-6002 adapter requires USB device drivers, available free from <http://www.ftdichip.com/Drivers/VCP.htm>, which are used to make the USB2-H-6002 appear as a Virtual COM Port (VCP). This allows existing serial communications software, such as HyperTerminal, to exchange data through the USB2-H-6002 to a legacy RS422 peripheral device.

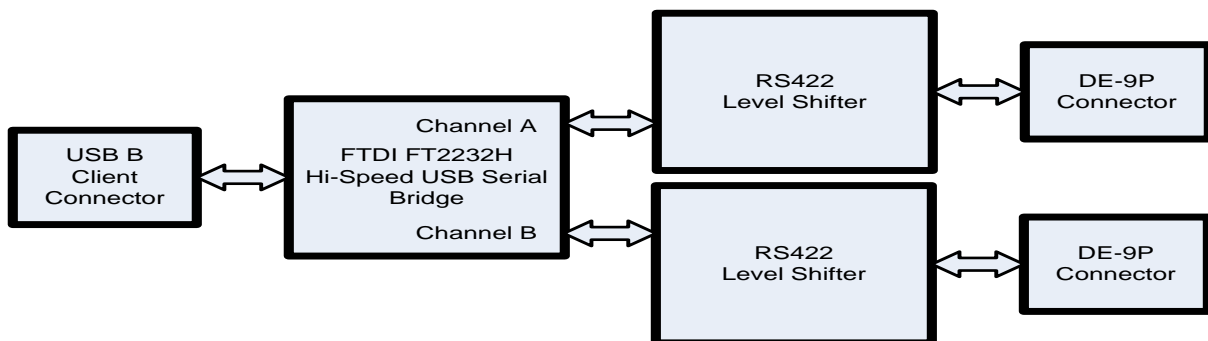
## 1.2 LED Description

The USB2-H-6002 uses nine LEDs to indicate a valid link as well as data traffic according to the following table:

| LED Color | Function     | Description  | Quantity |
|-----------|--------------|--|----------|
| Yellow    | Enumerated   | ON when USB2-H-6002 is configured and ready  | 1        |
| Red       | TxD Activity | Flashes when data is transmitted from the USB2-H-6002 to the attached RS422 device | 2        |
| Green     | RxD Activity | Flashes when data is transmitted from the attached RS422 device to the USB2-H-6002 | 2        |

**Table 1.1 – LED Description**

## 1.3 Block Diagram



**Figure 1.2 USB2-H-6002 Block Diagram**

### 1.3.1 Block description

#### USB Mini B Client Connector

This connector provides the interface for connection to a USB Host or Hub port. A standard "A to Mini B" cable is provided, though one of a different length may also be used. The maximum cable length is 5 meters, according to the USB 2.0 specification.

### **FTDI FT2232H**

The FTDI FT2232H provides the USB-to-Serial conversion. Operating system device drivers are required in order to work with the FT2232H to provide the Virtual COM Port serial functionality.

### **RS422 Level Shifter**

The RS422 level shifter converts the signals provided by the FT2232H into the voltage levels required by RS422 devices.

### **DE-9P Connector (Male)**

The DE-9P connector is configured in an industry standard (TIA/EIA-422) pin-out to provide connection to RS422 peripherals through standard cables. See section 3.1.2

## **1.4 Features**

- Adds dual RS-422 serial port by connecting to a USB 2.0 Hi-Speed interface.
- Easy plug & play installation and RS-422 device connection
- Works with USB 1.1 & 2.0 Host and Hub ports
- Industry Standard FTDI chip set & device drivers for maximum compatibility
- Microsoft Windows® WHQL-certified, Mac OS X, Linux and Windows CE device drivers
- Installs as a standard Windows COM port
- COM port number can be changed to any available COM port number, to support HyperTerminal, or any other serial communications software application running in Windows
- Supports Windows Server 2008, 2003, Vista, XP, 2000, Linux, Mac OS X
- FIFO: 4k byte transmit buffer, 4k byte receive buffer
- RS-422 data signals: TxD+, TxD-, RxD+, RxD-, RTS+, RTS-, CTS+, CTS-, GND
- Powered by USB port. No external power adapter required.
- Serial port speed up to 10Mbps
- Serial Communication Parameters
  - Parity: None, Even, Odd
  - Data bits: 7, 8
  - Flow control: RTS/CTS , X-ON/X-OFF, None
- Two DE-9P male connectors
- LEDs indicate USB Enumeration, RxD, TxD for monitoring port status & easy diagnostics
- High-temperature plastic enclosure
- Operating temperature of -40°C to +85°C
- USB cable of 0.9 meter included

## **1.5 Performance Figures**

| <b>Parameter</b> | <b>Performance</b>                                |
|------------------|---|
| USB Interface    | 480Mbps USB 2.0 High-Speed                        |
| RS422            | Standard Windows baud rates (300bps to 921.6Kbps) |

|           |   |
|-----------|---|
| Interface | Custom baud rates (300bps to 10Mbps) through baud rate aliasing. See FTDI Application Note: <a href="#">Configuring FT232R, FT2232 and FT232BM Baud Rates</a> |
|-----------|---|

**Table 1.2 - Performance Figures**

## 1.6 Ordering Information

| Part Number | Description                                       |
|-------------|---|
| USB2-H-6002 | USB-COM-Plus Hi-Speed USB to 2-Port RS422 Adapter |

**Table 1.3 - Ordering Information**

## 2 Installation

### 2.1 Hardware Installation

There are no switches or jumpers to configure on the USB2-H-6002.

#### 2.1.1 Mounting

The USB2-H-6002 is provided with two mounting options: UniClip™ Wall/DIN rail mount and rubber feet. The UniClip Wall/DIN rail mount allows the USB2-H-6002 to be permanently mounted to a wall or attached to a DIN rail. The rubber feet can be used when mobility or desktop use is desired.

NOTE: The UniClip provides a permanent mounting style. The USB2-H-6002 case may be damaged if the UniClip is removed.

The following figures indicate various mounting styles.



**Figure 2.1 - USB2-H-6002 with UniClip Brackets**



**Figure 2.2 - USB2-H-6002 with Rubber Feet**

#### 2.1.2 Wiring

A standard 0.9m USB "A" to "Mini B" cable is provided.



Insert the A-plug into an available USB Host or Hub port. Insert the Mini B-plug into the Mini B-receptacle on the USB2-H-6002.

The USB2-H-6002 follows EIA-422 standard as a Data Terminal Equipment (DTE) device. If the RS422 equipment being connected is a Data Communication Equipment (DCE) device, it's typical that a straight-through cable can be used.

| DTE Pin Number | Signal Name                               | Expected Connect Signal |
|----------------|---|-------------------------|
| 1              | TXD- = Transmit Data, negative polarity   | RXD-                    |
| 2              | TXD+ = Transmit Data, positive polarity   | RXD+                    |
| 3              | RXD+ = Receive Data, positive polarity    | TXD+                    |
| 4              | RXD- = Receive Data, negative polarity    | TXD-                    |
| 5              | GND = signal ground                       | GND                     |
| 6              | RTS- = Request To Send, negative polarity | CTS-                    |
| 7              | RTS+ = Request To Send, positive polarity | CTS+                    |
| 8              | CTS+ = Clear To Send, positive polarity   | RTS+                    |
| 9              | CTS- = Clear To Send, negative polarity   | RTS-                    |

**Table 2.1 – RS422 DTE to DCE connection with straight-through cable**

Some serial devices may require certain handshake signals be connected. Refer to your device manual for cabling details.

## 2.2 Device Driver Installation

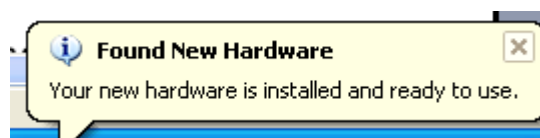
The USB2-H-6002 adaptor drivers are available for download from <http://www.ftdichip.com/Drivers/VCP.htm>.

### 2.2.1 Microsoft Windows

With the device drivers being Windows Hardware Quality Labs (WHQL) certified, they are also available through download directly from the Microsoft® Windows® Update service. This is the best choice when connecting the USB2-H-6002 to a computer running Windows Vista. Additional installation options are noted below:

#### **Installation Executable on Windows XP**

- 1) Login to your system as Administrator, or a user with Administrator rights.
- 2) Prior to connecting the USB2-H-6002 to the USB Host or Hub port, download the latest device driver version from <http://www.ftdichip.com/Drivers/VCP.htm>.
- 3) Run this executable to install the device drivers.
- 4) Connect the USB2-H-6002 to your computer. A notification will appear near the task bar indicating that new hardware has been installed and is ready for use. It is normal if this notice appears twice.



**Figure 2.3 - Hardware Ready**

### Windows Update shown on Windows XP

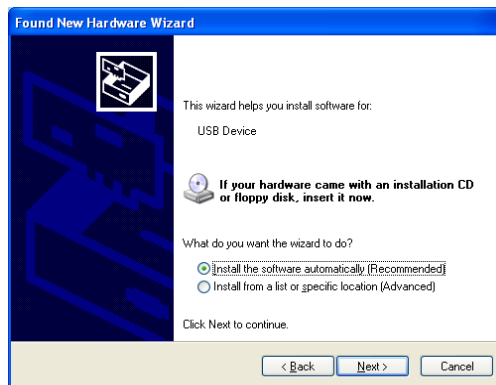
You must have an active Internet connection and the Windows Update Service enabled.

- 1) Connect the USB2-H-6002 to your USB Host or Hub.
- 2) The "Found New Hardware" Wizard will appear. The first dialog should ask whether it is acceptable to use the Windows Update Service to find the device driver.



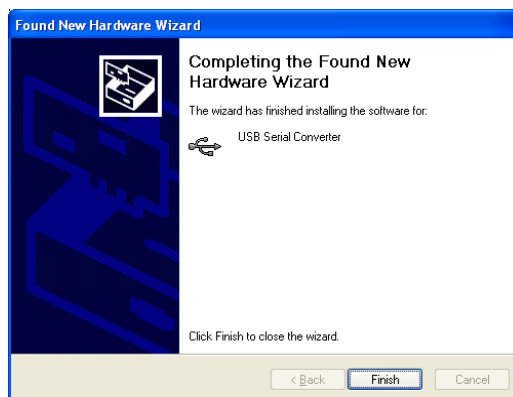
**Figure 2.4 – Found New Hardware Wizard**

- 3) Select one of the "Yes" choices and click "Next".
- 4) The following screen appears:



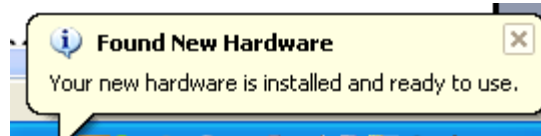
**Figure 2.5 – Automatic Install**

- 5) Wait while the driver is found, downloaded, and installed. This step may take a couple minutes depending on the Internet speed.
- 6) After the files are found and installed, click "Finish" to complete the installation.



**Figure 2.6 - Complete Hardware Installation**

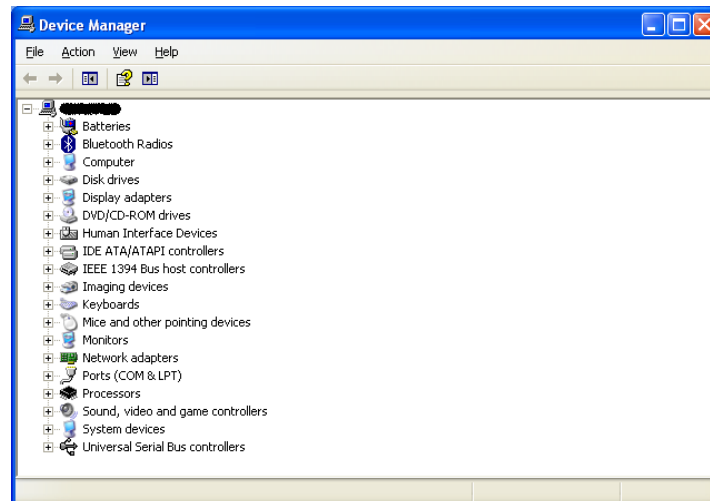
- 7) Steps 2 through 6 will repeat. The first time installs the basic USB Serial Converter in the USB device tree. The second time installs the Virtual COM Port layer in the Ports tree and assigns the COM port number.
- 8) When both portions of the device driver have been installed successfully, the following message will appear, indicating that the device is ready.



**Figure 2.7 - Hardware Ready**

### **COM Port Assignment**

Next, to determine which COM port has been assigned, open the Windows Device Manager from the System Control Panel.



**Figure 2.8 - Device Manager**

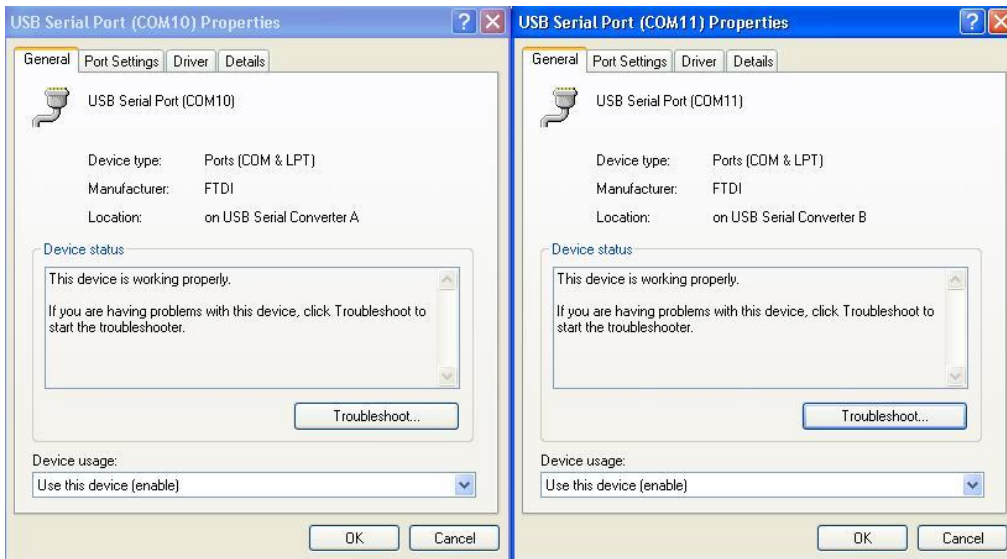
Click on the Plus “+” sign next to the Ports tree to list the available COM port. You will see “Connective Peripherals USB COM Port”, followed by a COMn assignment. And dual additional Connective Peripheral USB Serial Converters namely, “USB Serial Converter A”, “USB Serial Converter B”.



**Figure 2.9 - COM Port and USB Device name Assignment**

To determine which COM port has been assigned to Converter A, B, the cursor point to the USB Serial Port (COM10), (COM11) then right-click on it and select "Properties", it shows their relationship to the Converter A, B.

In the figure below, the Converter A is assigned to COM10; Converter B is assigned to COM11.



**Figure 2.10 - COM Port Assignment and Properties**

Use this COM port number with your application software in order to access the USB2-H-6002.

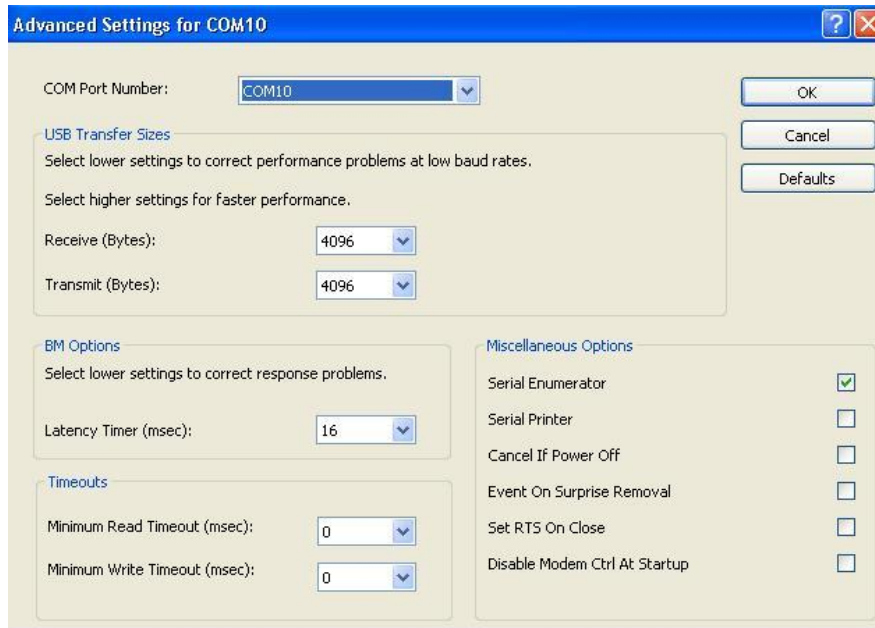
If an application requires use of a different COM port number, the assignment may be changed through the Advanced Driver Options settings.

From the above "Properties", click on the "Port Settings" tab.



**Figure 2.11 - Settings Tab**

Then click on the "Advanced..." button.



**Figure 2.12 - Advanced Options**

This will display the various advanced settings. Note the COM port assignment in the upper left. Clicking on the drop-down list will display the available port numbers. Select one that is not in use and click OK on each dialog box to activate the selection. Windows will remember this COM port number.

## 2.2.2 Mac OS X, Linux, Windows CE

Device drivers and FTDI installation guides for Mac OS X, Linux and Windows CE are available for download on the Connective Peripherals web site. Follow the respective FTDI installation guides for the chosen operating system.

### 3 Connections

#### 3.1 External Connectors

##### 3.1.1 USB

The USB-H-6002 is a downstream USB 2.0 Device. A standard USB Series "Mini B" receptacle is mounted inside the USB-H-6002 to facilitate connection to an upstream USB Host or Hub.

| Pin Number | Pin Type      | Description   |
|------------|---------------|---|
| 1          | Power         | VBUS – USB Power provided from upstream USB Host or Hub |
| 2          | Bidirectional | D- = USB data signal, negative polarity                 |
| 3          | Bidirectional | D+ = USB data signal, positive polarity                 |
| 4          | ID            | No connected  |
| 5          | Ground        | GND = USB signal ground                                 |
| Shield     | Case Ground   | Drain = typically connected to the host PC case         |

**Table 3.1 – USB "Mini B" Receptacle Pin-Out**

##### 3.1.2 RS422

The RS422 port is configured as Data Terminal Equipment (DTE), with a 9-contact D-Sub Pin connector. Pin assignments are according to TIA/EIA-422.

| Pin Number | Pin Type    | Description                                     |
|------------|-------------|---|
| 1          | Output      | TXD- = Transmit Data, negative polarity         |
| 2          | Output      | TXD+ = Transmit Data, positive polarity         |
| 3          | Input       | RXD+ = Receive Data, positive polarity          |
| 4          | Input       | RXD- = Receive Data, negative polarity          |
| 5          | Ground      | GND = signal ground                             |
| 6          | Output      | RTS- = Request To Send, negative polarity       |
| 7          | Output      | RTS+ = Request To Send, positive polarity       |
| 8          | Input       | CTS+ = Clear To Send, positive polarity         |
| 9          | Input       | CTS- = Clear To Send, negative polarity         |
| Shield     | Case Ground | Drain = typically connected to the host PC case |

**Table 3.2 – DE-9P RS422 Pin-Out**

## 4 Electrical Details

### 4.1 USB

| Parameter       | Description          | Minimum | Typical | Maximum | Units | Conditions   |
|-----------------|----------------------|---------|---------|---------|-------|--|
| USB_VCC         | Input Power Voltage* | 4.25    | 5.0*    | 5.25    | V     | *Present when USB cable is attached and USB Host or Hub powered. |
| I <sub>cc</sub> | USB current          |         | 30      | 50      | mA    |  |

**Table 4.1 - USB Electrical Details**

### 4.2 RS422

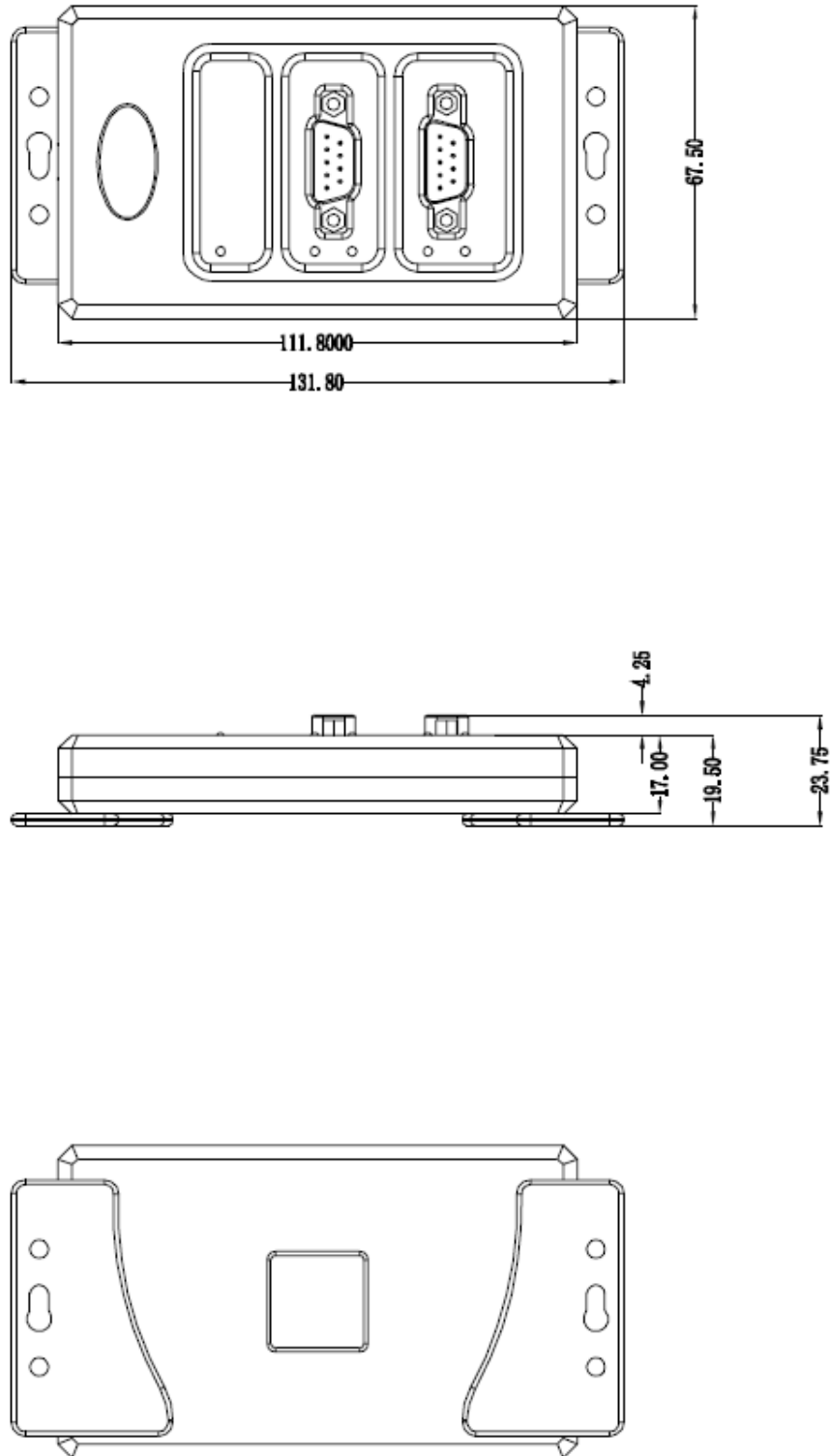
| Parameter                     | Description                       | Minimum | Typical | Maximum | Units | Conditions                                |
|-------------------------------|-----------------------------------|---------|---------|---------|-------|---|
| <b>Receiver Input</b>         |                                   |         |         |         |       |   |
| V <sub>CM</sub>               | Common-mode input voltage range   | -7      | +12     |         | V     |   |
| I <sub>N</sub>                | Input Current                     |         |         | 1.0     | mA    | V <sub>IN</sub> = +12V                    |
|                               |                                   |         |         | -0.8    |       | V <sub>IN</sub> = -7V                     |
| V <sub>TH</sub>               | Differential Threshold Voltage    | -0.2    |         | +0.2    | V     |   |
| V <sub>IHYST</sub>            | Input Hysteresis                  |         | 20      |         | mV    |   |
| R <sub>IN</sub>               | Input Resistance, R <sub>IN</sub> | 12      | 15      |         | kΩ    |   |
| <b>Transmitter Output</b>     |                                   |         |         |         |       |   |
| V <sub>OD</sub>               | Differential Output Voltage,      | 1.5     |         | 5       | V     | With R <sub>L</sub> = 54Ω.<br>CL = 50pF * |
| <b>ESD Tolerance</b>          |                                   |         |         |         |       |   |
| ESD HBM                       | RS422 Inputs and Outputs          |         | ±15     |         | kV    |   |
| EN61000-4-2 Contact Discharge | RS-422 Inputs and Outputs         |         | ±8      |         | kV    |   |
| EN61000-4-2 Air Gap Discharge | RS-422 Inputs and Outputs         |         | ±15     |         | kV    |   |

**Table 4.2 - RS422 Electrical Details**

\* - The 54 ohms is the equivalent of two 120 ohm termination resistors placed on each side of the transmission line and the input impedance of 32 receivers on the line.

## 5 Mechanical Details

### 5.1 Module Mechanical Dimensions

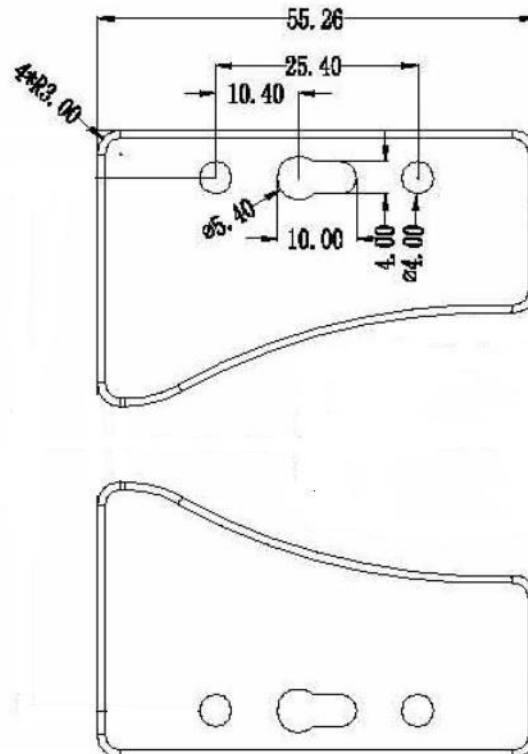
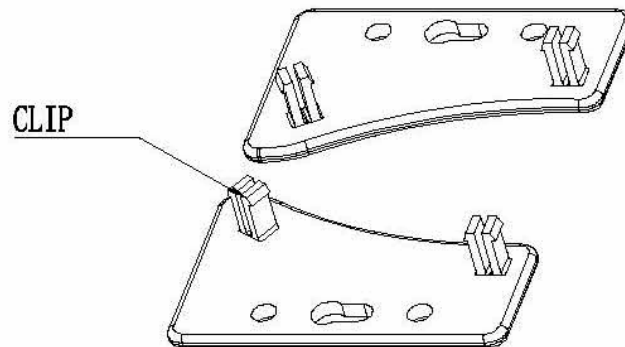


**Table 5.1 - USB2-H-6002 Case Dimensions**

Dimensions are shown in mm.



## 5.2 UniClip™ Mechanical Dimensions



**Table 5.2 - USB2-H-6002 UniClip Dimensions**

The UniClips are symmetrical. Dimensions (in mm) are shown for one UniClip only for clarity.

## 6 Physical Environment Details

### 6.1 Storage Temperature

| Parameter | Description               | Minimum | Typical | Maximum | Units | Conditions |
|-----------|---------------------------|---------|---------|---------|-------|------------|
| T         | Storage Temperature Range | -65     |         | +150    | °C    |            |

**Table 6.1 - Storage Temperature**

### 6.2 Operating Temperature

| Parameter | Description                 | Minimum | Typical | Maximum | Units | Conditions                   |
|-----------|-----------------------------|---------|---------|---------|-------|------------------------------|
| T         | Operating Temperature Range | -40     |         | +85     | °C    | 5% to 95% RH, non condensing |

**Table 6.2 - Operating Temperature**

## 7 Environmental Approvals & Declarations

### 7.1 EMI Compatibility

#### FCC and CE

The USB2-H-6002 has been tested to be compliant with both FCC Part 15 Subpart B and European EMC Directive.



**NOTE:** This is a Class B product. In a domestic environment, this product may cause radio interference, in which case the user may be required to take adequate measures.



**NOTE:** This equipment has been tested and found to comply with the limits for a Class B digital device, pursuant to Part 15 of the FCC Rules. These limits are designed to provide reasonable protection against harmful interference in a residential installation. This equipment generates uses and can radiate radio frequency energy and, if not installed and used in accordance with the instructions, may cause harmful interference to radio communications. However, there is no guarantee that interference will not occur in a particular installation. If this equipment does cause harmful interference to radio or television reception, which can be determined by turning the equipment off and on, the user is encouraged to try to correct the interference by one or more of the following measures:

- Reorient or relocate the receiving antenna.
- Increase the separation between the equipment and receiver.
- Connect the equipment into an outlet on a circuit different from that to which the receiver is connected.
- Consult the dealer or an experienced radio/TV technician for help.

### 7.2 Safety

The USB2-H-6002 is defined as Limited Power Supply (LPS) device, with operating voltages under 60VDC.

### 7.3 Environmental

The USB2-H-6002 is a lead-free device that complies with the following environmental directives: RoHS, WEEE, REACH, PFOS and DecaBDE.

### 7.4 Reliability

The USB2-H-6002 is designed as a robust USB-Serial adapter for use in many environments. There are no user-serviceable parts. Any failure will require a replacement of the unit.

#### 7.4.1 MTTF

The Mean Time To Failure is calculated at TBD hours.

## 7.5 Import / Export Information

| Import / Export Information |  |
|-----------------------------|--|
| Country of Origin           | China                                    |
| Harmonized Code             | TBD                                      |
| Product Description         | USB to RS422 Computer Adapter, Dual Port |
| USA ECCN                    | EAR99 – No License Required              |

**Table 7.1 - Import / Export Information**

## 8 Troubleshooting

### 8.1 Hardware

Cables are the most common sources of trouble with external devices.

Check the following:

- USB cable is properly inserted at both ends
- Computer power is ON
- Computer is not in Sleep or Standby
- If a USB Hub is used, be sure it is set for "Self-Powered" operation
- If a USB Hub is used, be sure all cables are properly inserted
- If all the above are OK, the Yellow LED should be lit, indicating the device has been recognized by the USB subsystem.

RS422 cables – check the following:

- Output signals (TXD+, TXD-, RTS+, RTS-) are connected to the respective inputs (RXD+, RXD-, CTS+, CTS-) in each direction.
- Check for specific handshake requirements of your RS422 peripheral.
- If handshake signals are not used, ensure the application is set to "No Hardware Handshake", or equivalent.
- Test the port with a loop-back connector. Connect TXD+ to RXD+, TXD- to RXD-, RTS+ to CTS+ and RTS- to CTS-. Use a simple terminal program to check that data is transmitted and received.

### 8.2 Device Driver

Ensure the latest device driver is in use. See <http://www.ftdichip.com/Drivers/VCP.htm>.

If other devices with FTDI chips are installed in the system, check with all manufacturers of these devices for the latest device drivers.

See the FTDI installation guides for additional details: <http://ftdichip.com/Documents/InstallGuides.htm>

Common Windows Device Driver Troubles:

- **DEVICE TIMES OUT:** The default settings of the device driver assume typical data transfers of hundreds to thousands or more bytes at a given time. Some applications, such as a GPS device, only send data in short packets, often only a few bytes. If this is the case, it may be necessary to adjust the driver's buffer size and/or latency timer to smaller values. These values can be adjusted through the advanced driver options as noted in Figure 2.13. The buffer size can be reduced to 64 bytes. The latency timer can be set as low as 2ms. A setting of 1ms will cause unnecessary USB traffic and could adversely affect data transmission.
- **ERRATIC MOUSE POINTER:** The device driver defaults to query an attached device to find out whether it is a mouse or modem, consistent with native COM port operation. Some RS422 peripherals constantly send short packets of data, causing the host system to "think" a mouse or modem has been attached. These short packets will interfere with normal mouse operation causing the pointer to jump around the screen. If this happens, disconnect the RS422 device and *uncheck the Serial Enumerator* option, also found on the advanced driver options screen in Figure 2.13.
- **COM PORT IN USE:** Windows keeps track of all COM port assignments. If multiple products have been connected to a single system, the COM port number will increase, even if the other devices are not attached. If the higher COM port assignments are not acceptable for the application, known unused COM port numbers should be uninstalled according to the FTDI installation guide: <http://ftdichip.com/Documents/InstallGuides.htm>.

### 8.3 Technical Support

Technical support may be obtained from your nearest Connective Peripherals office. See details below.

E-Mail (Support): [support@connectiveperipherals.com](mailto:support@connectiveperipherals.com)

Web: <http://www.connectiveperipherals.com/products>

## 9 Contact Information

### Global Headquarters – Singapore

Connective Peripherals Pte Ltd  
178 Paya Lebar Road  
#07-03  
Singapore 409030

Tel: +65 67430980  
Fax: +65 68416071

|                  |  |
|------------------|--|
| E-Mail (Sales)   | <a href="mailto:sales@connectiveperipherals.com">sales@connectiveperipherals.com</a>     |
| E-Mail (Support) | <a href="mailto:support@connectiveperipherals.com">support@connectiveperipherals.com</a> |
| Web Site URL     | <a href="http://www.connectiveperipherals.com">http://www.connectiveperipherals.com</a>  |
| Web Shop URL     | <a href="http://www.connectiveperipherals.com">http://www.connectiveperipherals.com</a>  |

## Appendix A - List of Figures and Tables

### List of Figures

|  |    |
|--|----|
| Figure 1.1 USB-COM-Plus USB2-H-6002 .....                  | 4  |
| Figure 1.2 USB2-H-6002 Block Diagram .....                 | 5  |
| Figure 2.1 - USB2-H-6002 with UniClip Brackets.....        | 8  |
| Figure 2.2 - USB2-H-6002 with Rubber Feet .....            | 8  |
| Figure 2.3 - Hardware Ready .....                          | 9  |
| Figure 2.4 – Found New Hardware Wizard.....                | 10 |
| Figure 2.5 – Automatic Install .....                       | 10 |
| Figure 2.6 - Complete Hardware Installation .....          | 10 |
| Figure 2.7 - Hardware Ready .....                          | 11 |
| Figure 2.8 - Device Manager .....                          | 11 |
| Figure 2.9 - COM Port and USB Device name Assignment ..... | 11 |
| Figure 2.10 - COM Port Assignment and Properties .....     | 12 |
| Figure 2.11 - Settings Tab .....                           | 12 |
| Figure 2.12 - Advanced Options.....                        | 13 |

### List of Tables

|  |    |
|--|----|
| Table 1.1 – LED Description .....  | 5  |
| Table 1.2 - Performance Figures .....                                    | 7  |
| Table 1.3 - Ordering Information .....                                   | 7  |
| Table 2.1 – RS422 DTE to DCE connection with straight-through cable..... | 9  |
| Table 3.1 – USB "Mini B" Receptacle Pin-Out.....                         | 14 |
| Table 3.2 – DE-9P RS422 Pin-Out .....                                    | 14 |
| Table 4.1 - USB Electrical Details .....                                 | 15 |
| Table 4.2 – RS422 Electrical Details .....                               | 15 |
| Table 5.1 - USB2-H-6002 Case Dimensions.....                             | 16 |
| Table 5.2 - USB2-H-6002 UniClip Dimensions.....                          | 17 |
| Table 6.1 - Storage Temperature .....                                    | 18 |
| Table 6.2 - Operating Temperature .....                                  | 18 |
| Table 7.1 - Import / Export Information .....                            | 20 |



## Appendix B - Revision History

| Revision | Changes  | Date       |
|----------|--|------------|
| 1.0      | Initial release  | 2010-08-12 |
| 1.01     | Modified enclosure colours to black/silver   | 2010-03-30 |
| 1.2      | Re-branding to reflect the migration of the product from EasySync to Connective Peripherals name – logo change, copyright changed, contact information Changed, all internal hyperlinks changed. | 2019-03-08 |