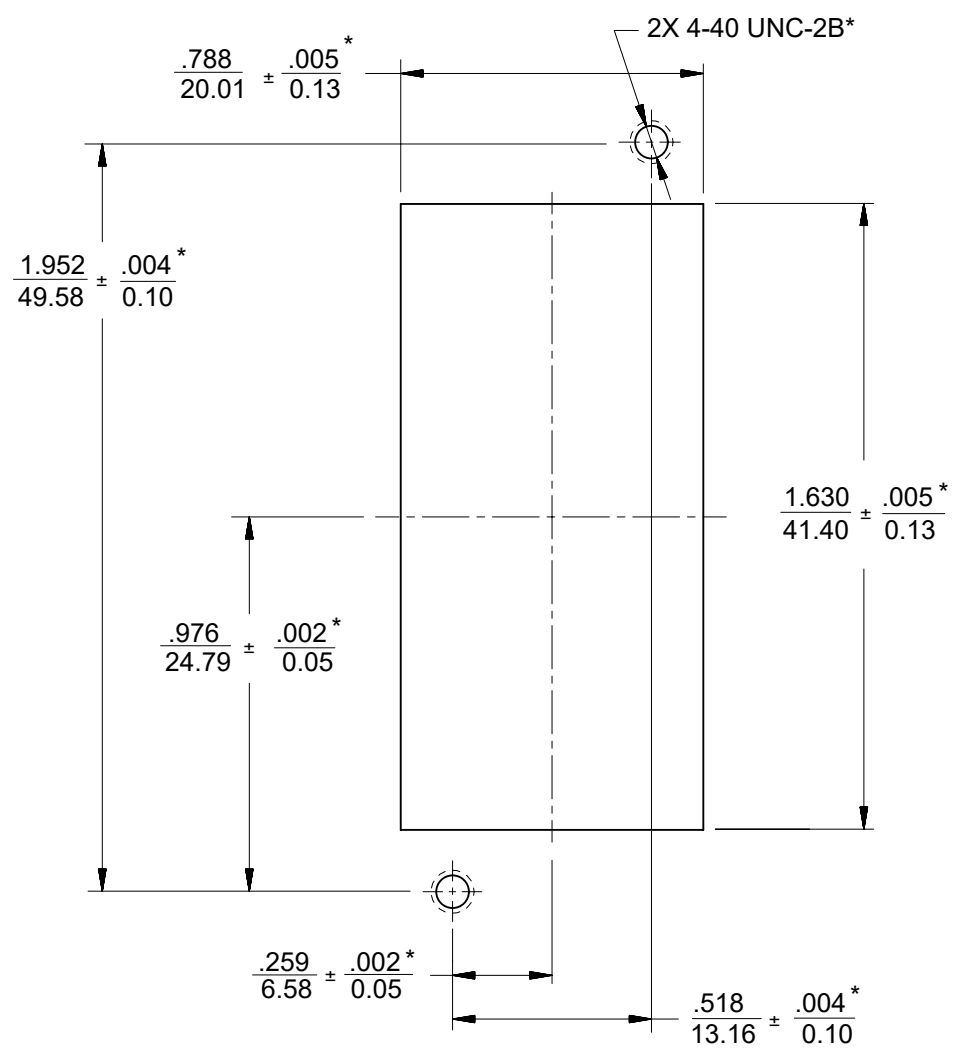
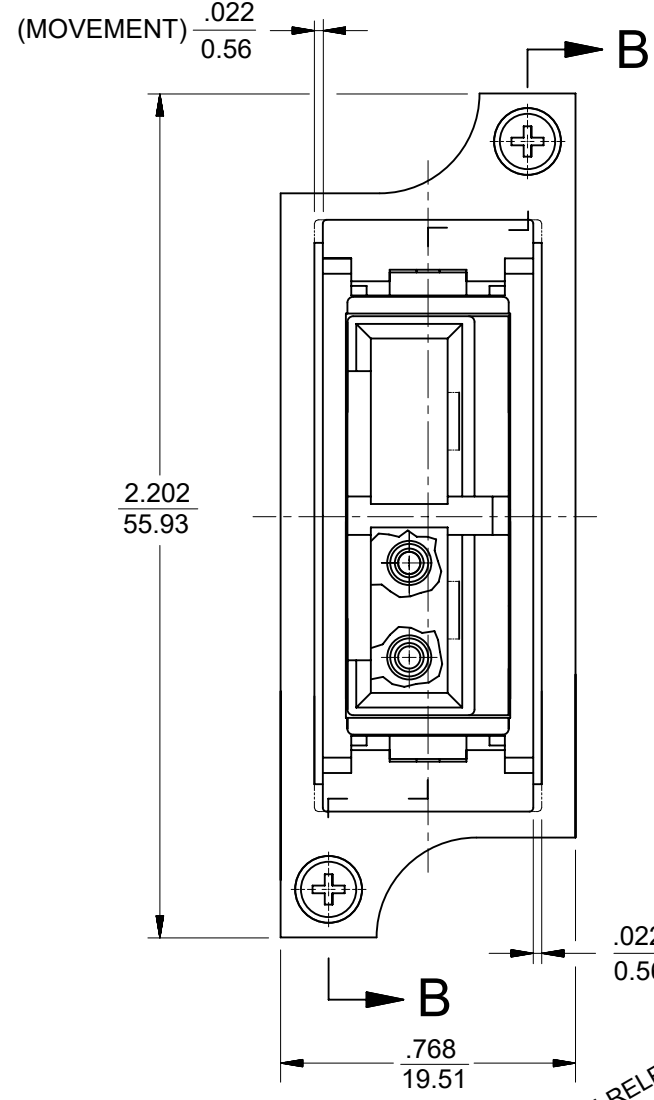
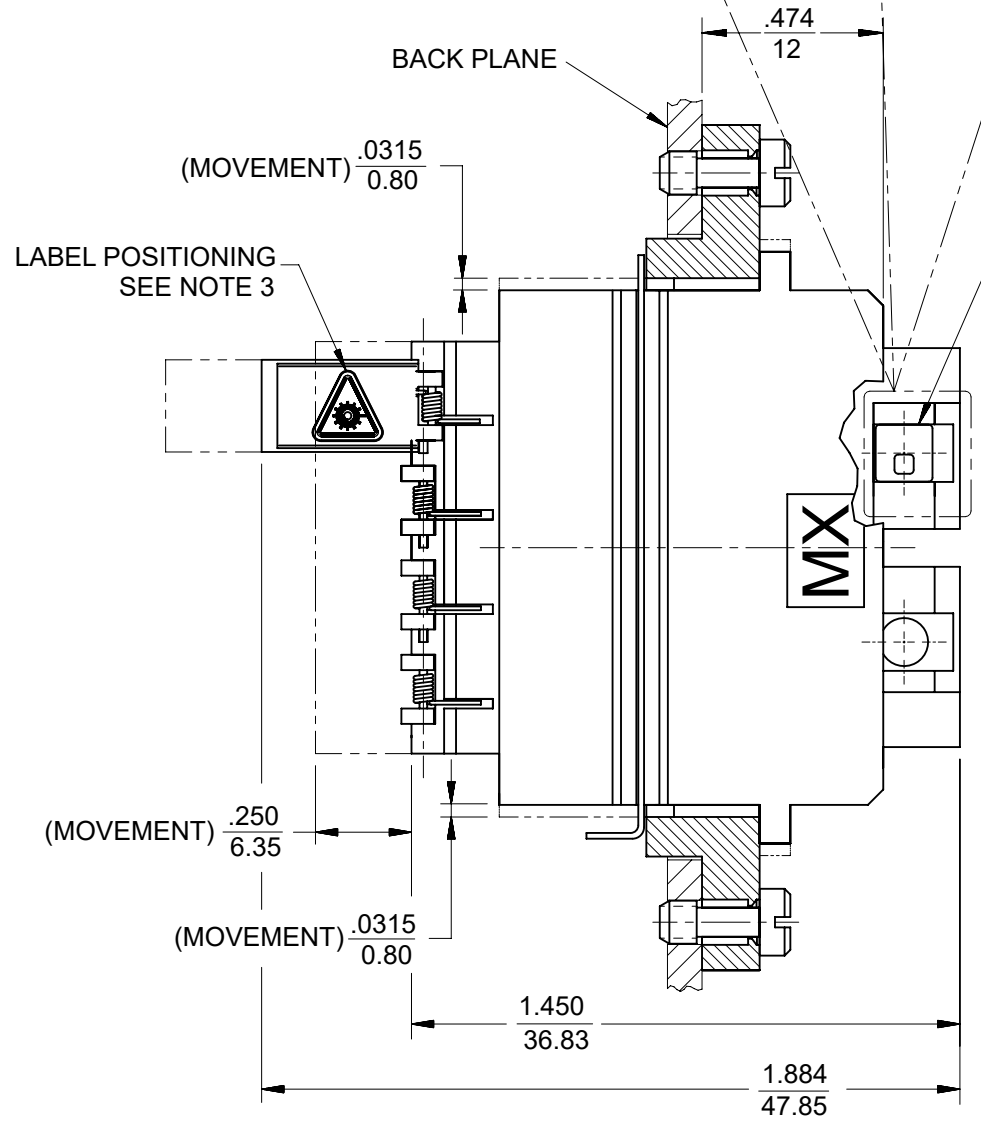
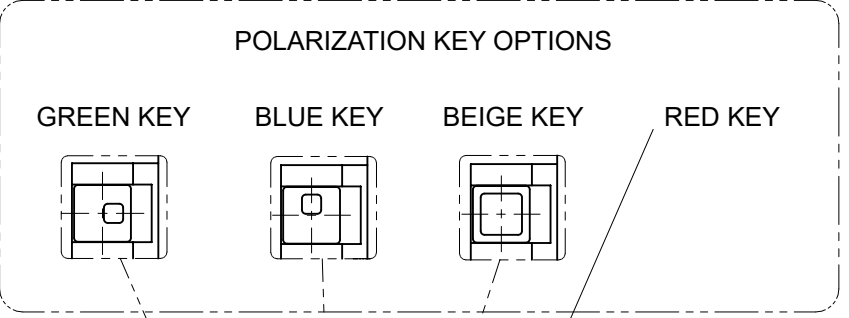


BLC ADAPTER P/N	SPLIT SLEEVE MATERIAL	COLOR
106144-0100	Ph. Bronze	BLACK
106144-1100	Zr	



VIEW A
RECOMMENDED MOUNTING HOLES

PRE-RELEASE
REFERENCE
USE ONLY

- NOTES:
1. ALL DIM. ARE FOR REFERENCE ONLY, EXCEPT WHEN MARKED WITH (*).
 2. POLARIZATION KEYS AND LABELS ARE PACKED UNASSEMBLED WITH ADAPTER ASSEMBLY IN POLY BAG.
 3. ADHESIVE LABELS TO BE POSITIONED ON LC DOORS BY USER. THE ORIENTATION OF THE LABELS SHOULD BE SUCH THAT THE LASER WARNING SYMBOL IS EASILY IDENTIFIED.

THIS DRAWING CONTAINS INFORMATION THAT IS PROPRIETARY TO MOLEX ELECTRONIC TECHNOLOGIES, LLC AND SHOULD NOT BE USED WITHOUT WRITTEN PERMISSION											
DIMENSION UNITS IN/MM		SCALE 2:1		CURRENT REV DESC: REMOVED OBSOLETE PART NUMBER AS PER PCN#510806.				molex		BLC ADAPTER ASSEMBLY (4 POSITION)	
GENERAL TOLERANCES (UNLESS SPECIFIED)				EC NO: 733771 DRWN: SANTHN 2023/01/24 CHK'D: GGA 2023/02/24 APPR: GGA 2023/02/24							
4 PLACES ±		MM		INCH		INITIAL REVISION: DRWN: PGIBLIN 2005/10/20				PRODUCT CUSTOMER DRAWING	
3 PLACES ±						APPR:				DOCUMENT NUMBER	
2 PLACES ±						2005/10/20				SD-106144-XX00	
1 PLACE ±						ANGULAR TOL ± 0.5°				DOC TYPE DOC PART REVISION	
0 PLACES ±						DRAFT WHERE APPLICABLE MUST REMAIN WITHIN DIMENSIONS				PSD 001 B2	
		THIRD ANGLE PROJECTION		DRAWING		SERIES		MATERIAL NUMBER		CUSTOMER	
		B-SIZE		106144		SEE TABLE		GENERAL MARKET		SHEET NUMBER	
										1 OF 1	