

REF. SD-75586-001 FOR RECEPTACLE AND PCB LAYOUT INFORMATION

REF. SHEET 3 FOR GROUND PAD ALLEY LAYOUT INFORMATION

81.25 (MIN CENTER TO CENTER RAIL SPACING USING M2X0.4 FLAT HEAD OR BUTTON HEAD SCREWS)

CONDUCTIVE ZONE, GUIDE RAIL SIDE

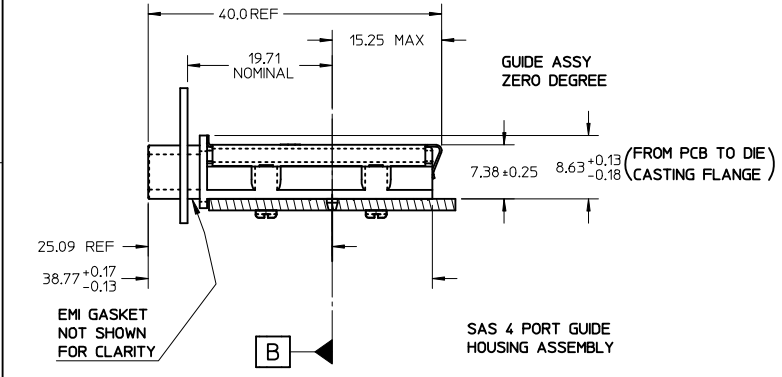
POSITION LOWER EDGE OF OPENING FLUSH TO 0.10MM BELOW PCB SURFACE, TYP.

NOTES:

1. PCB AND BRACKET SHOWN FOR REFERENCE ONLY.
2. REF. SD-74547-100 FOR KEY POSITIONS
3. GUIDE HOUSING MOUNTING THREAD= M2 X 0.40. SEE SHEET 3 FOR SCREW LENGTH + TORQUE SPEC.
4. PLATE GROUND PAD WITH EMERSION SILVER OR GOLD.
5. MATERIAL:
GUIDE HOUSING - ZINC DIECAST, NICKEL PLATED
COVER - STAINLESS STEEL
6. NO RoHS EXEMPTIONS.
7. GUIDE HOUSING PEGS FOR ALIGNMENT ONLY, DO NOT SOLDER.

PART NUMBER	PORT SIZE	SW	OAW	KEY(S) PORT1	KEY(S) PORT2	KEY(S) PORT3	KEY(S) PORT4	IDENTIFIERS
745480200	4	76.30	80.00	1	1	1	1	SATA - 'X' CABLES
745480203	4	76.30	80.00	2,4	2,4	2,4	2,4	SAS OUT PORT/END DEVICE
745480204	4	76.30	80.00	4,6	4,6	4,6	4,6	SAS IN PORT/END DEVICE
745480205	4	76.30	80.00	4	4	4	4	SAS UNIVERSAL PORT
745480212	4	76.30	80.00	7	7	7	7	SATA - 'M' CABLES
745480217	4	76.30	80.00	2	2	2	2	SAS - OUT PORT
745480220	4	76.30	80.00	6	6	6	6	SAS - IN PORT
745480304	4	76.30	80.00	2,7	2,7	2,7	2,7	CX4
745480401	4	76.29	79.99	2,6	4	4	4	CUSTOM

IPASS IS A TRADE MARK OF MOLEX.



SEE REVISION TABLE

EC NO: CPG2015-0132

DRWN:SYANG16 2013/09/27

CHK:EWANG07 2014/08/15

APPR:RCHEN08 2014/08/19

QUALITY SYMBOLS

▽ F=0

▽ F=0

▽ F=0

GENERAL TOLERANCES (UNLESS SPECIFIED)

	mm	INCH
4 PLACES	± ---	± ---
3 PLACES	± ---	± ---
2 PLACES	± 0.13	± ---
1 PLACE	± 0.25	± ---
0 PLACE	±	±

ANGULAR ±1/2°

DRAFT WHERE APPLICABLE MUST REMAIN WITHIN DIMENSIONS

DIMENSION STYLE: MM ONLY

SCALE: 1:1

DESIGN UNITS: METRIC

THIRD ANGLE PROJECTION

DRAWN BY: SNAVARRO

CHECKED BY: BREED

APPROVED BY: DDOYE

DATE: 2006/05/26

DATE: 2006/05/26

DATE: 2006/05/26

TITLE: I-PASS 26 CKT ZERO DEG. EMI GUIDE RAIL HOUSING ASSEMBLY, MULTI PORT

molex

MATERIAL NO. SEE TABLE

DOCUMENT NO. SD-74548-200

SHEET NO. 1 OF 4

THIS DRAWING CONTAINS INFORMATION THAT IS PROPRIETARY TO MOLEX INCORPORATED AND SHOULD NOT BE USED WITHOUT WRITTEN PERMISSION

10 9 8 7 6 5 4 3 2 1

F

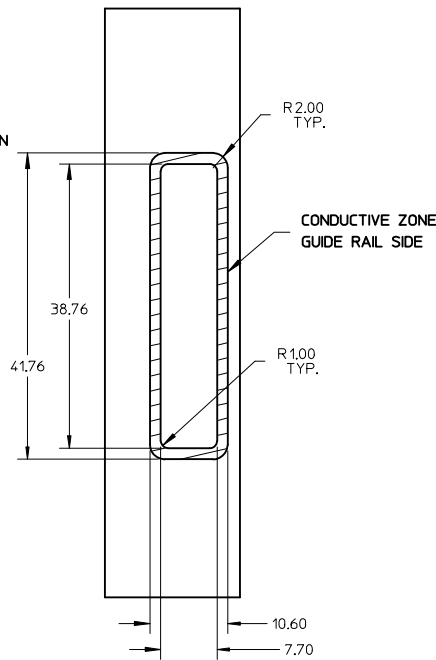
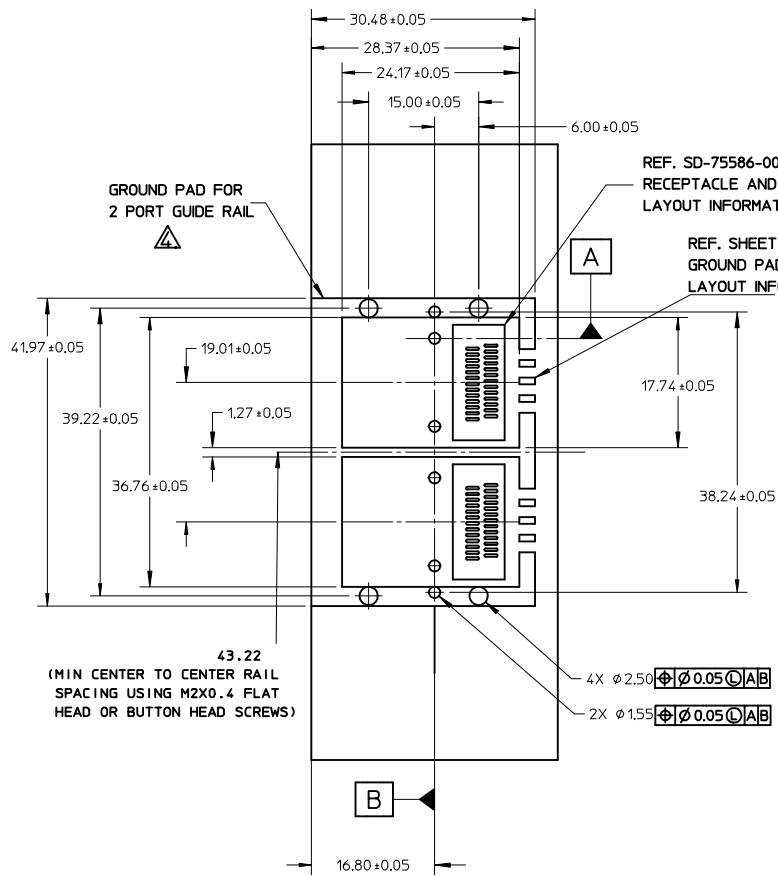
E

D

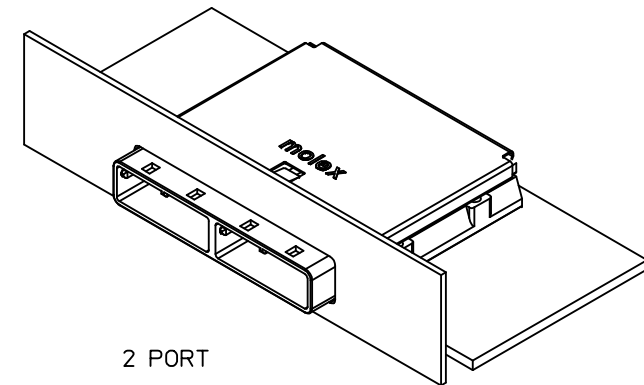
C

B

A



IO BRACKET WINDOW



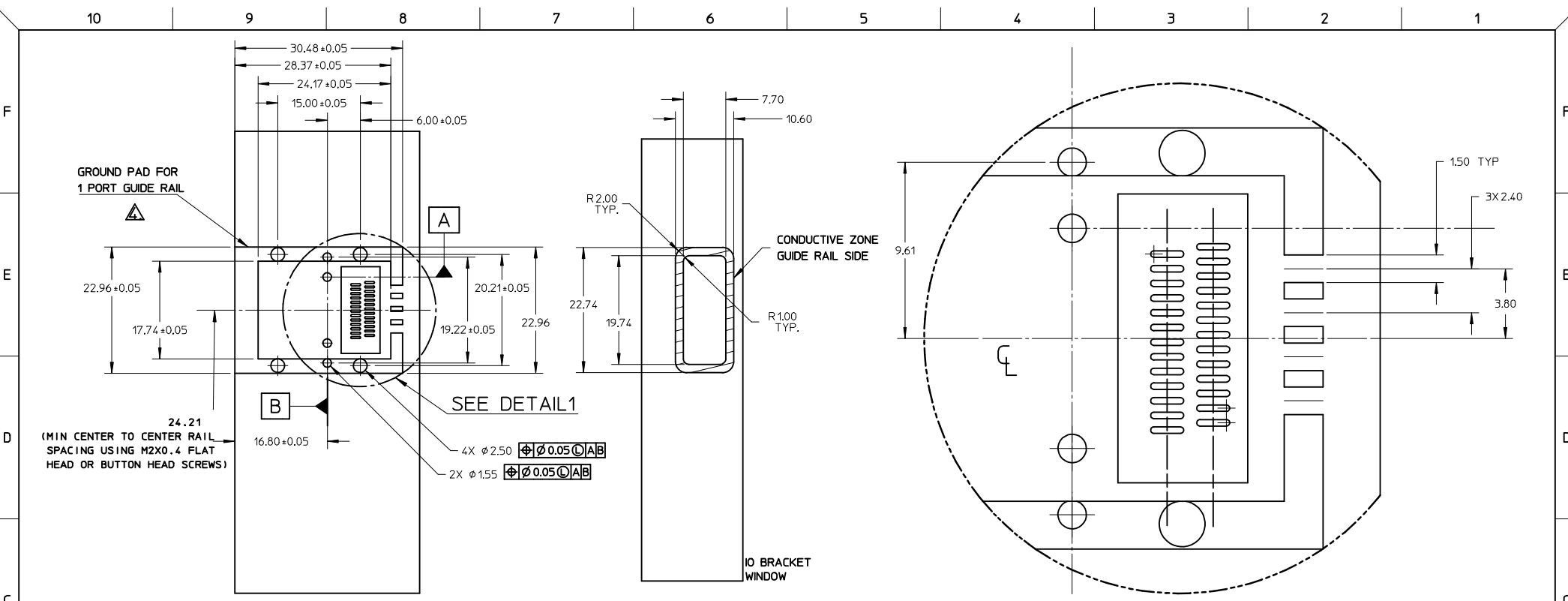
2 PORT

PART NUMBER	PORT SIZE	SW	OAW	KEY(S) PORT1	KEY(S) PORT2	IDENTIFIERS
745480202	2	38.26	41.96	1	1	SATA - 'X' CABLES
745480206	2	38.26	41.96	2,4	2,4	SAS OUT PORT/END DEVICE
745480207	2	38.26	41.96	4,6	4,6	SAS IN PORT/END DEVICE
745480208	2	38.26	41.96	4	4	SAS UNIVERSAL PORT
745480213	2	38.26	41.96	7	7	SATA - 'M' CABLES
745480215	2	38.26	41.96	4,6	2,4	SAS IN PORT - SAS OUT PORT
745480216	2	38.26	41.96	2,4	4,6	SAS OUT PORT - SAS IN PORT
745480218	2	38.26	41.96	2	2	SAS - IN PORT
745480221	2	38.26	41.96	6	6	SAS - OUT PORT
745480224	2	38.26	41.96	3	3	SRIO

I-PASS IS A TRADE MARK OF MOLEX.

SEE REVISION TABLE	QUALITY SYMBOLS	GENERAL TOLERANCES (UNLESS SPECIFIED)		DIMENSION STYLE		SCALE	DESIGN UNITS	THIRD ANGLE PROJECTION	
		mm	INCH	MM ONLY	MM ONLY	1:1	METRIC		
EC NO: CPG2015-0132 DRWN:SYANG16 2013/09/27 CHKD:WANG07 2014/08/15 APPR:RCHEN08 2014/08/19	$\nabla = 0$	4 PLACES	± ---	± ---	DRAWN BY	DATE	TITLE I-PASS 26 CKT ZERO DEG. EMI GUIDE RAIL HOUSING ASSEMBLY, MULTI PORT molex MATERIAL NO. SEE TABLE DOCUMENT NO. SD-74548-200 SHEET NO. 2 OF 4		
	$\nabla = 0$	3 PLACES	± ---	± ---	CHECKED BY	DATE			
	$\nabla = 0$	2 PLACES	± 0.13	± ---	BREED	2006/05/26			
	$\nabla = 0$	1 PLACE	± 0.25	± ---	APPROVED BY	DATE			
	$\nabla = 0$	0 PLACE	±	±	DDOYE	2006/05/26			
		ANGULAR ±1/2°							
DRAFT WHERE APPLICABLE MUST REMAIN WITHIN DIMENSIONS				SIZE B		THIS DRAWING CONTAINS INFORMATION THAT IS PROPRIETARY TO MOLEX INCORPORATED AND SHOULD NOT BE USED WITHOUT WRITTEN PERMISSION			

9 8 7 6 5 4 3 2 1



24.21
(MIN CENTER TO CENTER RAIL SPACING USING M2X0.4 FLAT HEAD OR BUTTON HEAD SCREWS)

SEE DETAIL 1

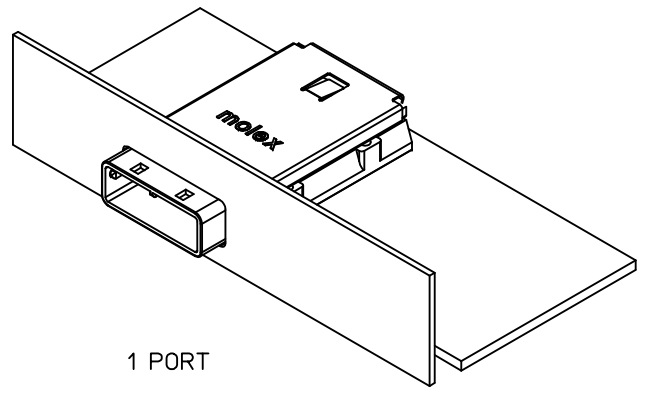
CONDUCTIVE ZONE GUIDE RAIL SIDE

IO BRACKET WINDOW

DETAIL 1
Scale 5:1

PART NUMBER	PORT SIZE	SW	OAW	KEY(S)	IDENTIFIERS
745480201	1	19.24	22.95	1	SATA - 'X' CABLES
745480209	1	19.24	22.95	2,4	SAS OUT PORT/END DEVICE
745480210	1	19.24	22.95	4,6	SAS IN PORT/END DEVICE
745480211	1	19.24	22.95	4	SAS UNIVERSAL PORT
745480214	1	19.24	22.95	7	SATA - 'M' CABLES
745480219	1	19.24	22.95	2	SAS OUT PORT
745480222	1	19.24	22.95	6	SAS IN PORT
745480225	1	19.24	22.95	3	SR10
745480229	1	19.24	22.95	2,7	CX4

PCB THICKNESS	SCREW LENGTH	TORQUE (IN LBS)
1.6 (.063')	5MM	2.3
2.38 (.093')	6MM	2.3
3.2 (.125')	6MM	2.3
X	+4MM MAX	2.3



1 PORT

SEE REVISION TABLE

EC NO: CPG2015-0132	2013/09/27
DRWN:SYANG16	2014/08/15
CHKD:EWANG07	2014/08/15
APPR:RICHEN08	2014/08/19

QUALITY SYMBOLS	DESCRIPTION
$F=0$	
$E=0$	
$F=0$	

GENERAL TOLERANCES (UNLESS SPECIFIED)	mm	INCH
4 PLACES	± ---	± ---
3 PLACES	± ---	± ---
2 PLACES	± 0.13	± ---
1 PLACE	± 0.25	± ---
0 PLACE	±	±
ANGULAR ± 1/2°		
DRAFT WHERE APPLICABLE MUST REMAIN WITHIN DIMENSIONS		

DIMENSION STYLE		SCALE		DESIGN UNITS		THIRD ANGLE PROJECTION	
MM ONLY		1:1		METRIC		THIRD ANGLE PROJECTION	
DRAWN BY	DATE	TITLE					
SNABARRO	2006/05/26	I-PASS 26 CKT ZERO DEG. EMI GUIDE RAIL HOUSING ASSEMBLY, MULTI PORT					
CHECKED BY	DATE						
BREED	2006/05/26						
APPROVED BY	DATE						
DDOYE	2006/05/26						
MATERIAL NO.	SEE TABLE	DOCUMENT NO.	SD-74548-200		SHEET NO.	3 OF 4	
SIZE	B	THIS DRAWING CONTAINS INFORMATION THAT IS PROPRIETARY TO MOLEX INCORPORATED AND SHOULD NOT BE USED WITHOUT WRITTEN PERMISSION					

DATE	REV	DESCRIPTION
2014/08/14	U	1.CHANGED 40.0 TO 40.0 REF $\text{\textcircled{0}}\text{B9}$ [SHEET 1] 2.CHANGED DIM 25.09 TO 25.09 REF $\text{\textcircled{0}}\text{A10}$ BASED ON SFF-8088 [SHEET 1] 3.ADDED NOTE FOR DIM 8.63 +0.13/-0.18 $\text{\textcircled{0}}\text{A7}$ [SHEET 1] 4.ADDED DIM 15.25MAX $\text{\textcircled{0}}\text{B9}$ BASED ON SFF-8088 [SHEET 1] 5.ADDED REVISION HISTORY [SHEET 4]. 6.CHANGED ALL LOCATIONS OF DIMENSION MULTIPLIERS. (EX: "YY(3)" TO "3X YY")

SEE REVISION TABLE EC NO: CPG2015-0132 U DRWN:SYANG16 2013/09/27 CHKD:EWANG07 2014/08/15 APPR:RCHEN08 2014/08/19	QUALITY SYMBOLS	GENERAL TOLERANCES (UNLESS SPECIFIED)	DIMENSION STYLE	SCALE	DESIGN UNITS	THIRD ANGLE PROJECTION	
	$\nabla = 0$	mm INCH	MM ONLY	1:1	METRIC		
	$\nabla = 0$	4 PLACES \pm --- \pm ---	DRAWN BY DATE	TITLE I-PASS 26 CKT ZERO DEG. EMI GUIDE RAIL HOUSING ASSEMBLY, MULTI PORT			
	$\nabla = 0$	3 PLACES \pm --- \pm ---	SNAVARRO 2006/05/26				
	$\nabla = 0$	2 PLACES \pm 0.13 \pm ---	CHECKED BY DATE	DOCUMENT NO. SD-74548-200 SHEET NO. 4 OF 4			
	1 PLACE \pm 0.25 \pm ---	BREED 2006/05/26					
	0 PLACE \pm \pm	APPROVED BY DATE	THIS DRAWING CONTAINS INFORMATION THAT IS PROPRIETARY TO MOLEX INCORPORATED AND SHOULD NOT BE USED WITHOUT WRITTEN PERMISSION				
	ANGULAR $\pm 1/2^\circ$	DDOYE 2006/05/26					
	DRAFT WHERE APPLICABLE MUST REMAIN WITHIN DIMENSIONS	MATERIAL NO.					
		SEE TABLE					