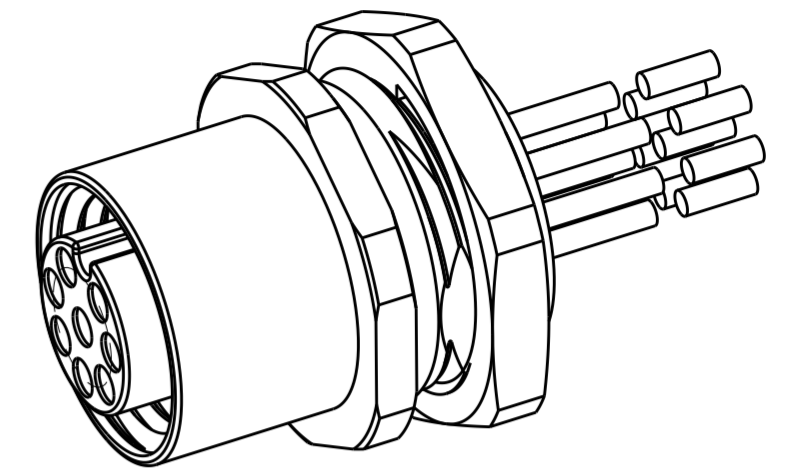
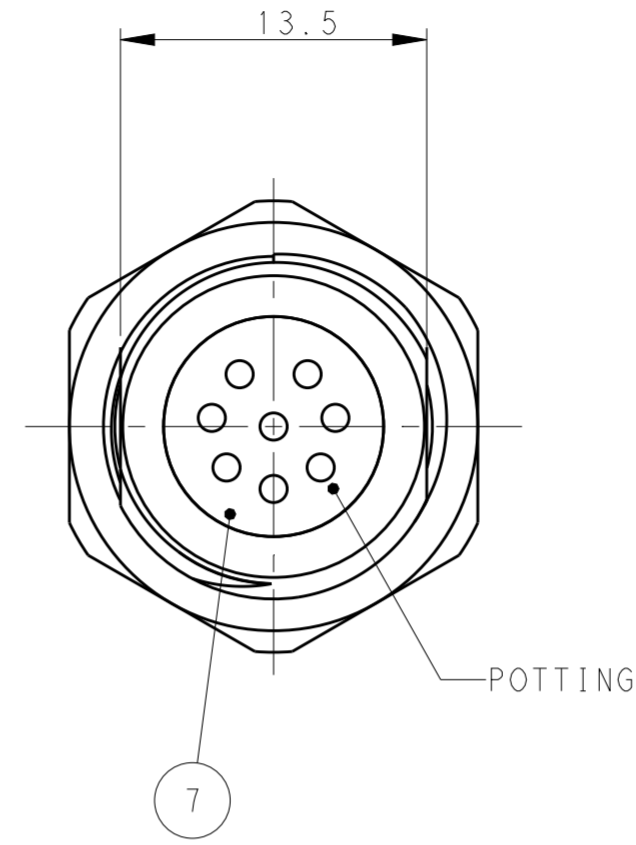
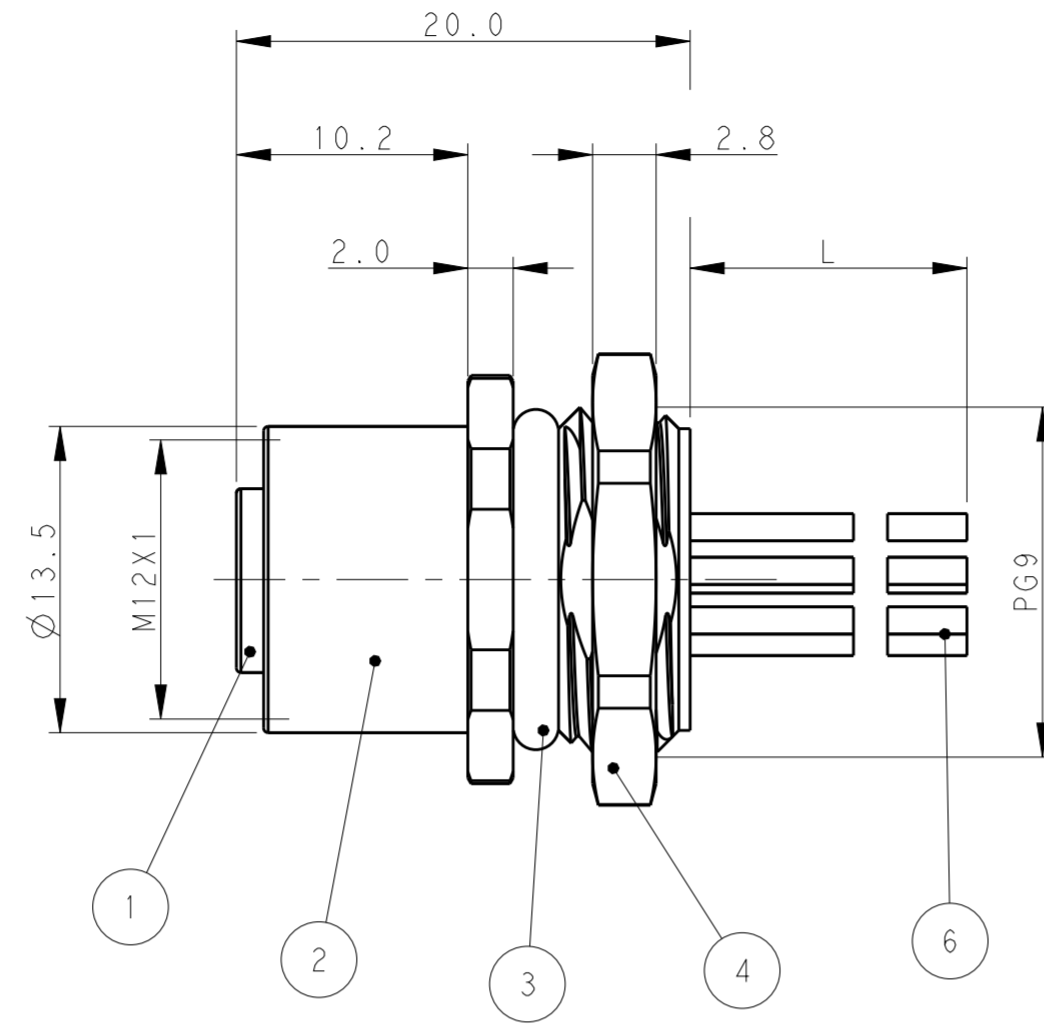
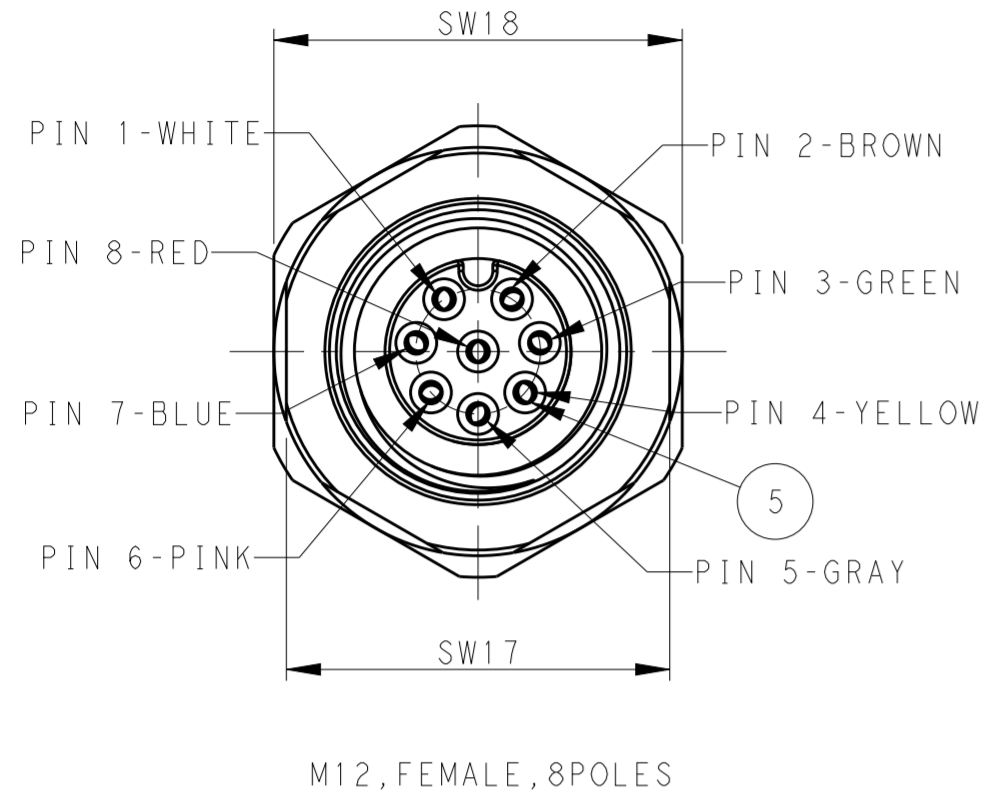


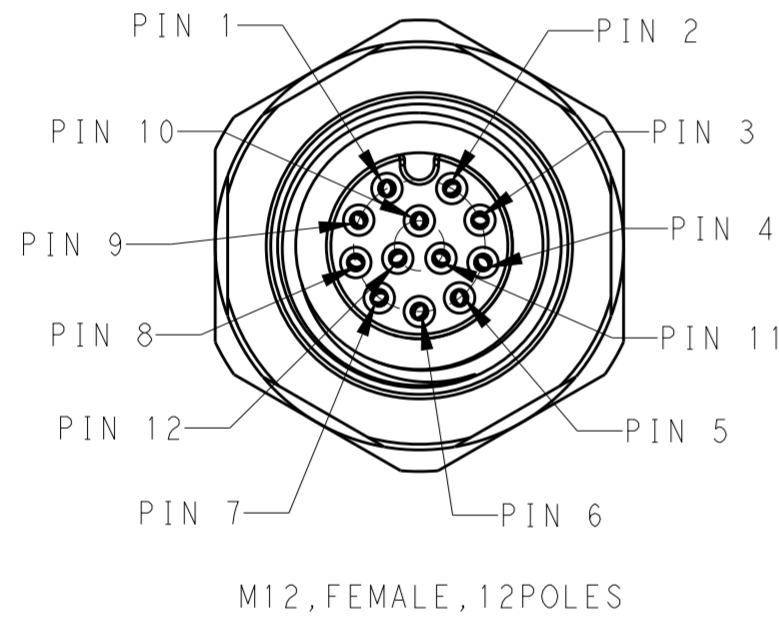
THIS DRAWING IS UNPUBLISHED. RELEASED FOR PUBLICATION 20
 © COPYRIGHT 20 BY - ALL RIGHTS RESERVED.

REVISIONS					
P	LTR	DESCRIPTION	DATE	DWN	APVD
A		INITIAL RELEASE	06JAN2018	G.W	C.W
B		ECR-19-009136	01AUG2019	C.D	C.W



- NOTE:
1. TECHNICAL DATA: SEE TABLE 1
 2. RECOMMENDED MOUNT PANEL SEE DETAIL
 3. PACKAGING: 1 PIECE IN A BAG
 4. ALL DIMENSIONS ARE FOR NOMINAL REFERENCE ONLY UNLESS OTHERWISE STATED

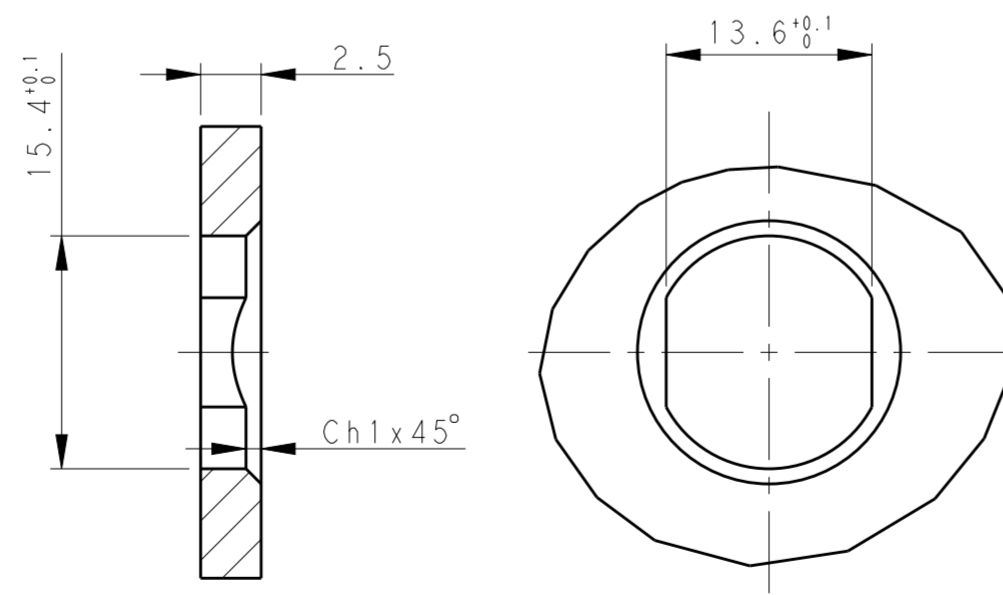
- 注释:
1. 技术参数, 见表1
 2. 推荐开孔尺寸详见如图所示
 3. 包装: 1PCS/袋
 4. 所有尺寸仅供参考, 除非另有说明



WIRES:	LENGTH	TYPE	POS.	PART NUMBER
0.25MM ² (24AWG) FOR 8P	-001: 0.2M	RPC-M12-FB-12CON-PG9-X.XLAU	12	T4171330012-00X
0.14MM ² (26AWG) FOR 12P	-002: 0.5M			
	-003: 1.0M			
	-004: 1.5M			
	-005: 3.0M			
	-006: 5.0M			
	-007: 7.0M			
	-008: 10.0M			
	CUSTOMIZATION:	-**0: 0.0M	RPC-M12-FB-8CON-PG9-X.XLAU	8
	-001: ** .5M			
	-99*: 0.*M			

TABLE 1

TECHNICAL DATA	T4171320008-00X	T4171330012-00X
RATED VOLTAGE	30V	30V
RATED CURRENT	2A	1.5A
POLLUTION DEGREE	3	3
OVERVOLTAGE CATEGORY	II	II
MATERIAL GROUP	II	II
DEGREE OF PROTECTION	IP67	IP67
OPERATION TEMPERATURE	-40~85°C	-40~85°C



CABLE CHARACTERISTIC	CABLE LENGTH "L"	TYPE	POS.	PART NUMBER
-	-	EPOXY RESIN	POTTING ADHESIVE	7
-	-	-	CABLE	6
GOLD PLATED	-	COPPER ALLOY	CONTACT	5
NICKEL PLATED	-	COPPER ALLOY	METAL NUT	4
BLACK	-	RUBBER	O-RING	3
NICKEL PLATED	-	COPPER ALLOY	M12, FEMALE, METAL BODY	2
-	-	PA66	M12, FEMALE HSG	1
OTHERS		MATERIAL	DESCRIPTION	ITEM

THIS DRAWING IS A CONTROLLED DOCUMENT.

DWN: GAVIN WANG 06JAN2018
 CHK: KEVIN HUANG 06JAN2018
 APVD: CHRIS WANG 06JAN2018

STE TE Connectivity

NAME: M12 PANEL MOUNT CONNECTOR A CODE, FEMALE, FRONT MOUNT WITH WIRE

PRODUCT SPEC: 108-106140
 APPLICATION SPEC: 114-137144

MATERIAL: -
 DIMENSIONS: mm
 TOLERANCES UNLESS OTHERWISE SPECIFIED:
 0 PLC ±
 1 PLC ±
 2 PLC ±
 3 PLC ±
 4 PLC ±
 ANGLES ±
 FINISH -

SIZE: A2
 CAGE CODE: -
 DRAWING NO: C-T417132000800X
 RESTRICTED TO: B

CUSTOMER DRAWING
 SCALE: 3:1
 SHEET: 1 OF 1
 REV: B