

SOLENOID PRODUCT SPECIFICATION

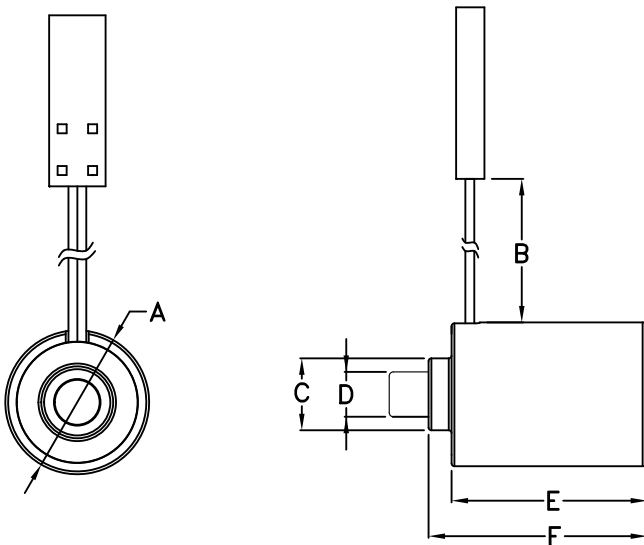
| PART No. | VOLTAGE | DUTY CYCLE | POWER (W) | CURRENT (A) | DCR (Ω) * |
|--------------|---------|------------|-----------|-------------|-----------|
| DSTL-0418-24 | 24 VDC | 100% | 1.4 | 0.06 | 407 |
| DSTL-0418-18 | 18 VDC | 100% | 1.4 | 0.08 | 233 |
| DSTL-0418-12 | 12 VDC | 100% | 1.3 | 0.11 | 110 |
| DSTL-0418-09 | 9 VDC | 100% | 1.2 | 0.13 | 70 |
| DSTL-0418-06 | 6 VDC | 100% | 1.35 | 0.22 | 27 |

* OPERATION: POWER TO PULL, BUILT-IN RETURN SPRING.

* DCR VALUES ARE ±10% AT 25°C

* WEIGHT ARE 13 GRAM ±10%

1. MECHANICAL DIMENSIONS :



UNIT : mm.

A = 12.80 MAX.

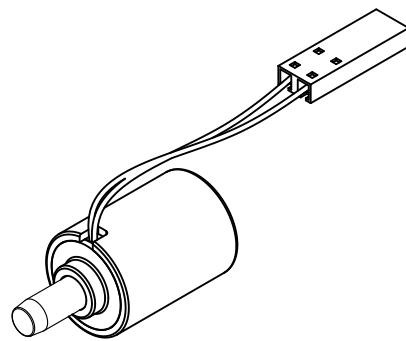
B = 61.00^{+5.0}₋₀

C = 6.35 MAX.

D = 3.97 MAX.

E = 17.50 MAX.

F = 19.50 MAX.

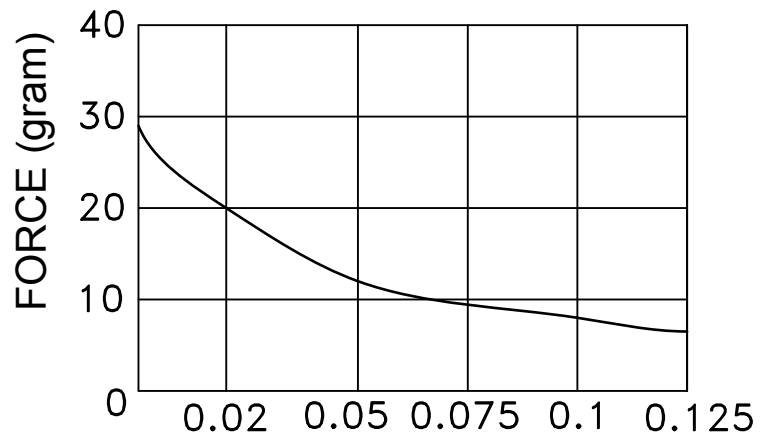


Connector : J.W.T

HOUSING : A2541H02-1*2P

CONTACT PIN : A2541T3B-2

CABLE : AWG 30 UL 1571



STROKE (inch)

INSULATION MATERIALS: UL CONSTRUCTION, CLASS B 130°C
 LIFE EXPECTANCY: 100K CYCLES OPERATIONS

| LAYER TEST | IR. @500 Vdc. | HI-POT |
|-------------------|---------------|---------------|
| (S-F) 500Vp. MIN. | COIL TO FRAME | @50/60Hz.,2mA |
| TEST ONLY COIL | 100 MOHM MIN. | COIL TO FRAME |
| | | 500Vac.,60s |