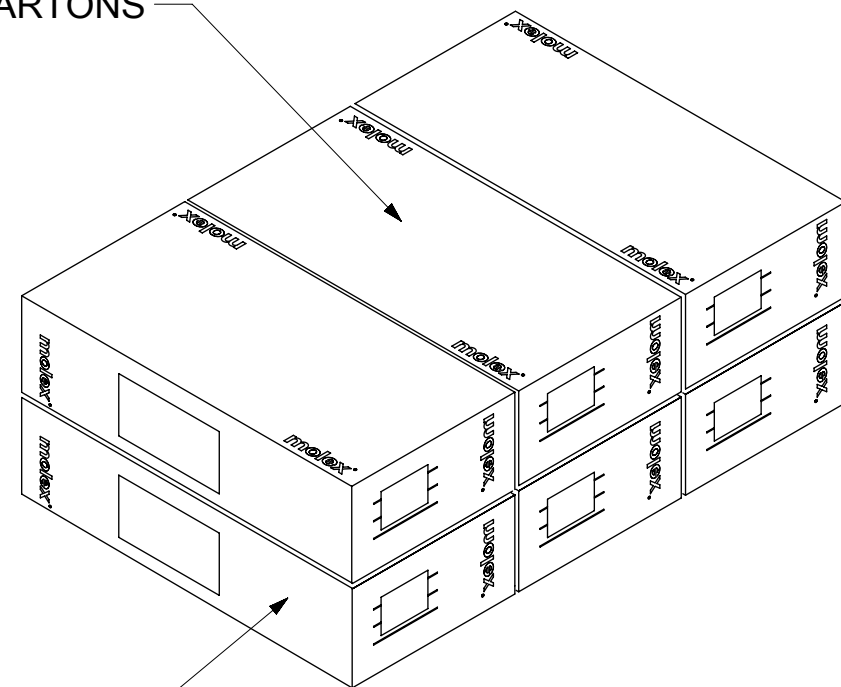


1 PC INCLUDES:					
KIT PART NO.	QUANTITY	LIGHT PIPE COVER ASSEMBLY	QUANTITY	SFP+ CAGE PART NO.	QUANTITY
747548713	1	747540045	1	747548420	1

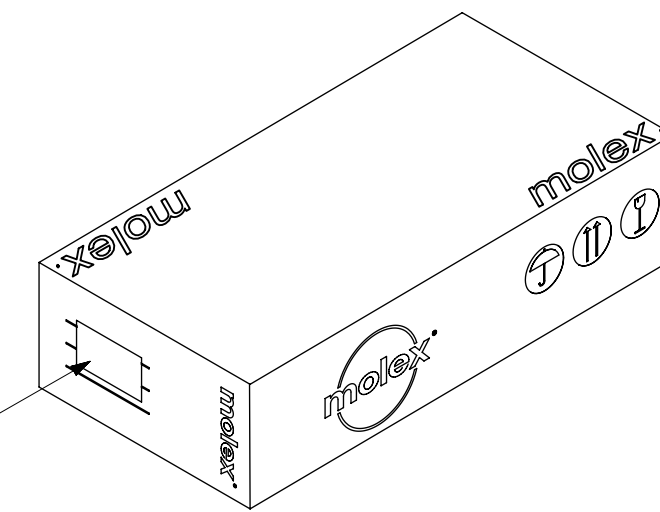
STANDARD PACK QTY (SPQ) DESCRIPTION:

PACKAGING KIT		LIGHT PIPE & COVER ASSEMBLY			SFP+ CAGE ASSEMBLY				
PART NO.	STANDARD PACK	PART NO.	PARTS PER INNER CARTON	INNER CARTONS PER MASTER CARTON	TOTAL PARTS PER MASTER CARTON	PART NO.	PARTS PER INNER CARTON	INNER CARTONS PER MASTER CARTON	TOTAL PARTS PER MASTER CARTON
747548713	240	747540045	80	3	240	747548420	80	3	240

LIGHT PIPE & COVER PACKAGING CARTONS
SEE TABLE FOR PART NO.
QTY 3



SFP+ CAGE PACKAGING CARTONS
SEE TABLE FOR PART NO.
QTY 3

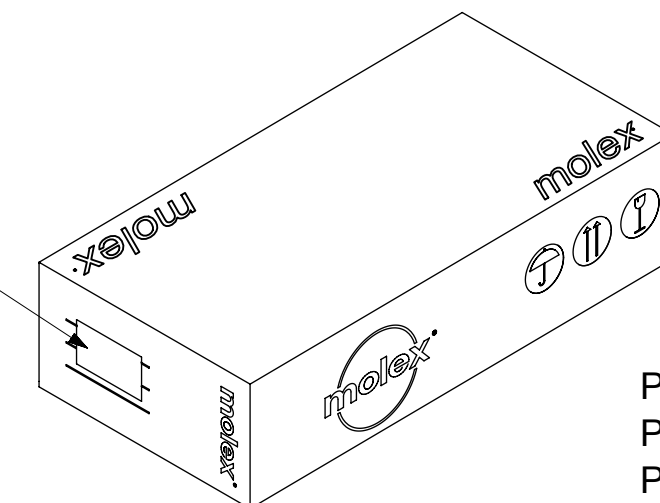


LABEL SHOWING
SFP+ CAGE PART NO.

PARTS/TRAY = 10
PARTS/INNER CARTON = 80
PARTS/MASTER CARTON = 240

SFP+ CAGE (SPQ)

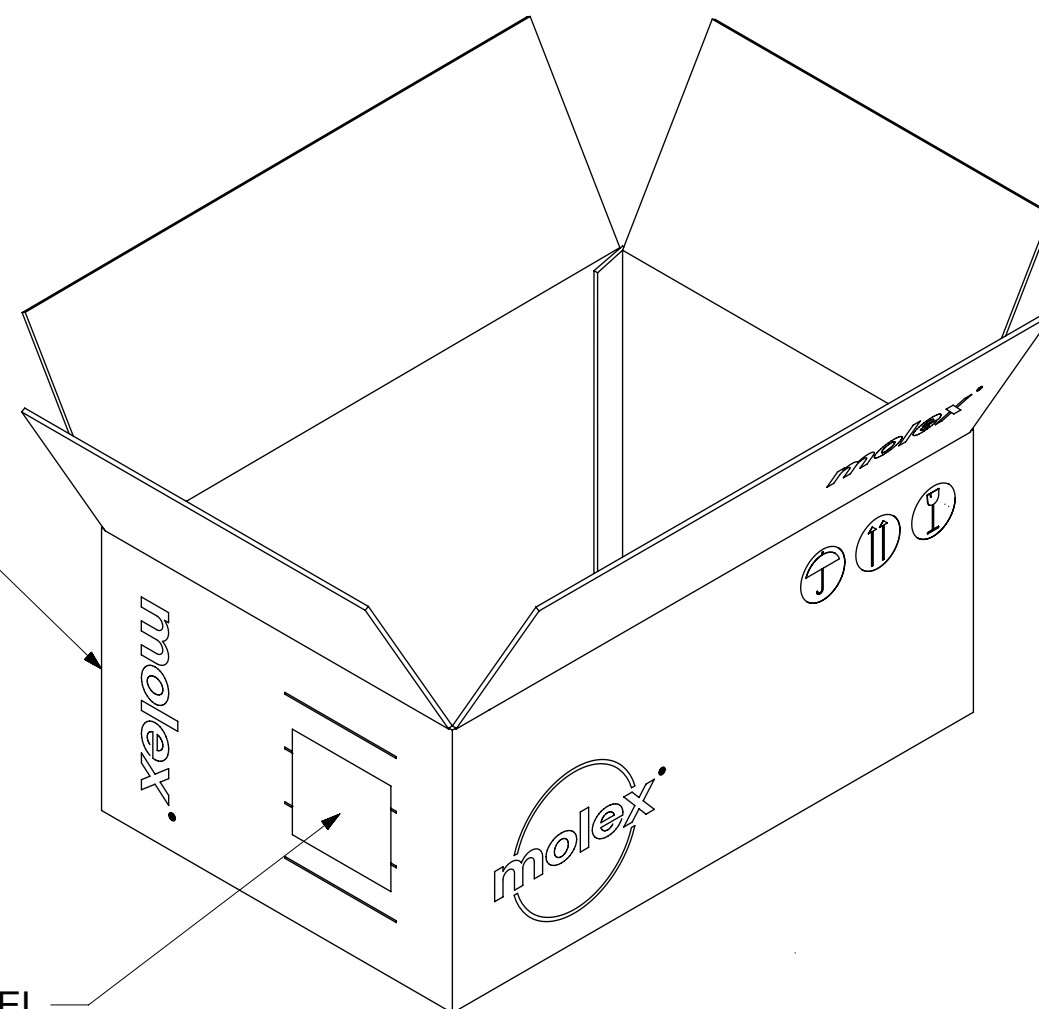
LABEL SHOWING
LIGHT PIPE & COVER PART NO.



PARTS/TRAY = 10
PARTS/INNER CARTON = 80
PARTS/MASTER CARTON = 240

LIGHT PIPE & COVER (SPQ)

MASTER CARTON
QTY 1



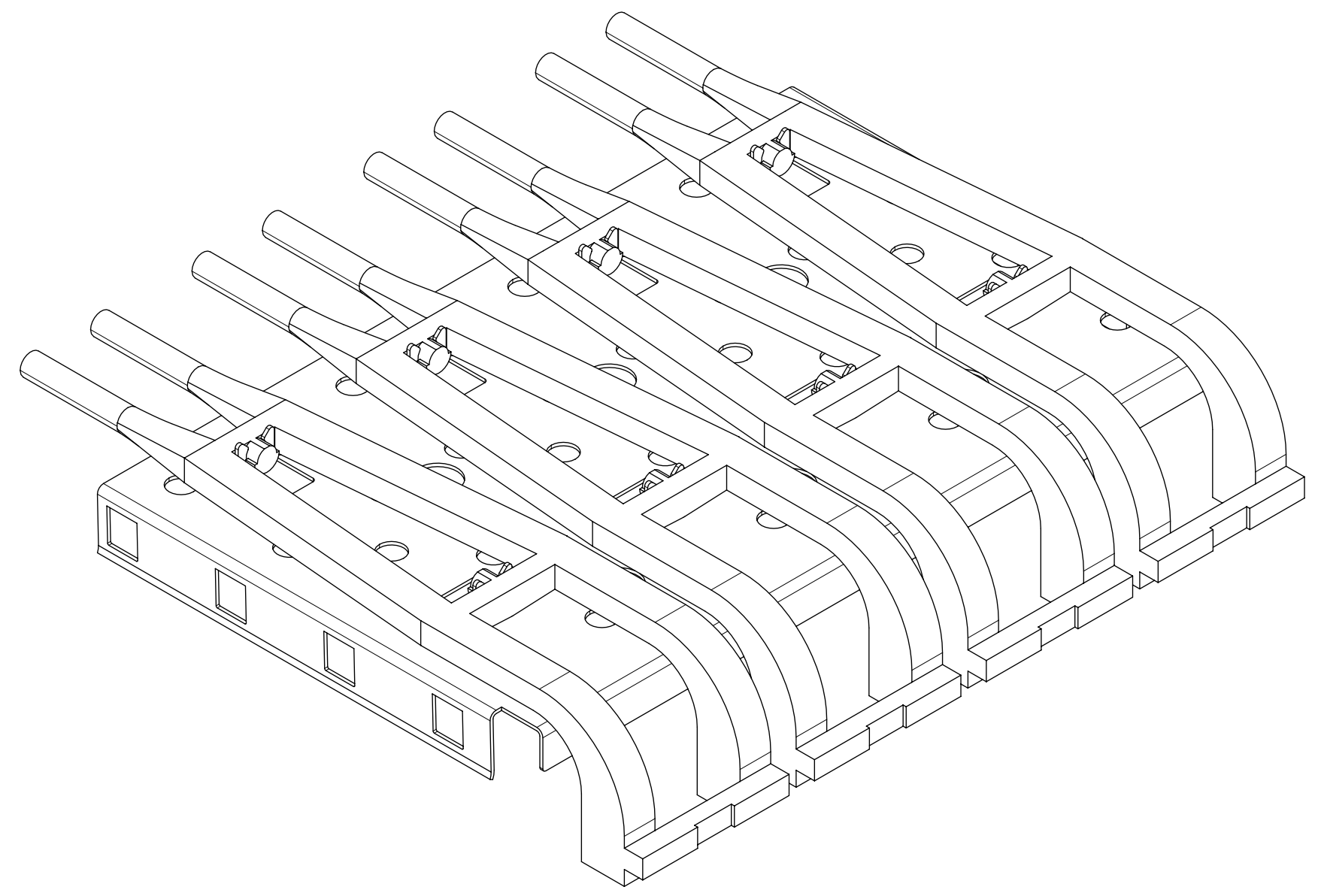
SHIPPING LABEL

NOTES:

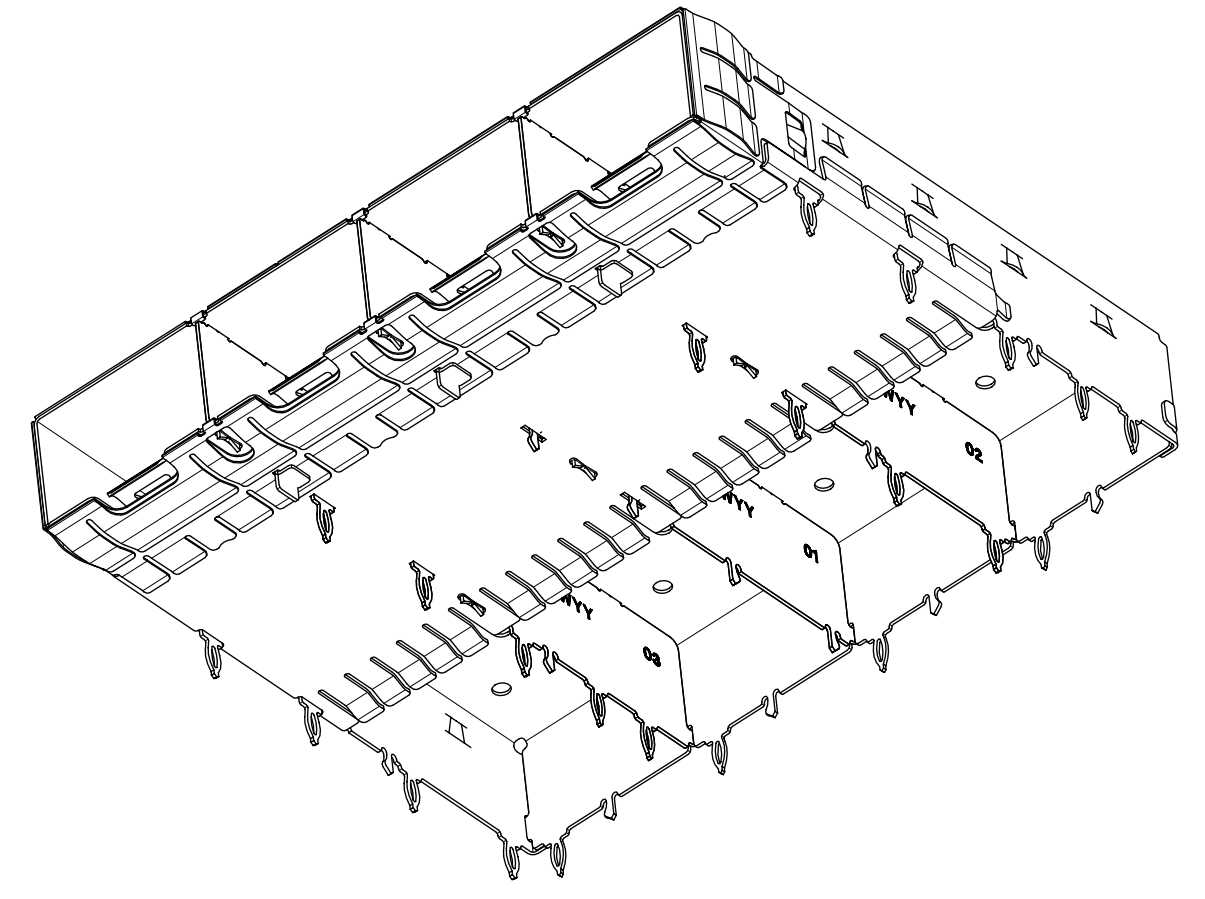
- MATERIAL:
CAGE: 0.25mm THICK COPPER ALLOY, NICKEL PLATED
FRONT EMI SPRING FINGERS: STAINLESS STEEL
COVER: COPPER ALLOY
LIGHT PIPE: POLYCARBONATE (94-V0 RATED)
- SFP+ LIGHT PIPE COVER ASSEMBLIES (3 CARTON) AND CAGE ASSEMBLIES (3 CARTONS) TO BE PLACED IN MASTER CARTON AS SHOWN.
- SHIPPING LABEL TO BE PLACED ON THE MASTER CARTON.
- NO RoHS EXEMPTIONS.

FUNCTIONAL SYMBOLS	THIS DRAWING CONTAINS INFORMATION THAT IS PROPRIETARY TO MOLEX ELECTRONIC TECHNOLOGIES, LLC AND SHOULD NOT BE USED WITHOUT WRITTEN PERMISSION			
DIMENSION UNITS	SCALE	CURRENT REV DESC: SEE REVISION TABLE		molex
$\frac{F}{A} = 0$	mm	EC NO: 707270		
$\frac{E}{C} = 0$	GENERAL TOLERANCES (UNLESS SPECIFIED)	DRWN: ABHILT2 2022/04/11		
$\frac{E}{P} = 0$	ANGULAR TOL ± °	CHK'D: TKUMARKC 2022/05/25		
DIVISIONAL SYMBOLS	4 PLACES ±	APPR: SCHIEN 2022/06/01		
	3 PLACES ±	INITIAL REVISION:		
	2 PLACES ±	DRWN: ABHILT2 2022/04/11		
1 PLACE ±	APPR: SCHIEN 2022/06/01		DOCUMENT NUMBER	
0 PLACES ±	DRAFT WHERE APPLICABLE MUST REMAIN WITHIN DIMENSIONS		747548713	
	THIRD ANGLE PROJECTION	DRAWING	SERIES	DOC TYPE DOC PART REVISION
		C-SIZE	74754	PSD ASY A
				MATERIAL NUMBER CUSTOMER SHEET NUMBER
				747548713 1 OF 3

747540045



747548420



FUNCTIONAL SYMBOLS	THIS DRAWING CONTAINS INFORMATION THAT IS PROPRIETARY TO MOLEX ELECTRONIC TECHNOLOGIES, LLC AND SHOULD NOT BE USED WITHOUT WRITTEN PERMISSION										
	DIMENSION UNITS	SCALE	CURRENT REV DESC: SEE REVISION TABLE							molex	
$\frac{F}{A} = 0$	mm	-----	EC NO: 707270 DRWN: ABHILT2 2022/04/11 CHK'D: TKUMARKC 2022/05/25 APPR: SCHIEN 2022/06/01								
$\frac{E}{C} = 0$	GENERAL TOLERANCES (UNLESS SPECIFIED)									INITIAL REVISION:	
$\frac{E}{P} = 0$	ANGULAR TOL ± °		DRWN: ABHILT2 2022/04/11							DOCUMENT NUMBER	
DIVISIONAL SYMBOLS	4 PLACES ±		2022/06/01							747548713	
	3 PLACES ±		APPR: SCHIEN							DOC TYPE	
	2 PLACES ±		THIRD ANGLE PROJECTION							PSD	
	1 PLACE ±		DRAWING							ASY	
0 PLACES ±		DRAFT WHERE APPLICABLE MUST REMAIN WITHIN DIMENSIONS		THIRD ANGLE PROJECTION		SERIES		CUSTOMER		SHEET NUMBER	
				C-SIZE		74754		747548713		2 OF 3	

REV	DATE	DESCRIPTION
A	2022/05/25	INITIAL RELEASE

FUNCTIONAL SYMBOLS = 0 = 0 = 0 DIVISIONAL SYMBOLS 3 PLACES ± 2 PLACES ± 1 PLACE ± 0 PLACES ±	THIS DRAWING CONTAINS INFORMATION THAT IS PROPRIETARY TO MOLEX ELECTRONIC TECHNOLOGIES, LLC AND SHOULD NOT BE USED WITHOUT WRITTEN PERMISSION			
	DIMENSION UNITS mm	SCALE -----	CURRENT REV DESC: SEE REVISION TABLE	
	GENERAL TOLERANCES (UNLESS SPECIFIED) ANGULAR TOL ± ° 4 PLACES ± 3 PLACES ± 2 PLACES ± 1 PLACE ± 0 PLACES ±			
	DRAFT WHERE APPLICABLE MUST REMAIN WITHIN DIMENSIONS			
THIRD ANGLE PROJECTION 	DRAWING C-SIZE	SERIES 74754	EC NO: 707270 DRWN: ABHILT2 2022/04/11 CHK'D: TKUMARKC 2022/05/25 APPR: SCHIEN 2022/06/01 INITIAL REVISION: DRWN: ABHILT2 2022/04/11 APPR: SCHIEN 2022/06/01	
DOCUMENT NUMBER 747548713		DOC TYPE PSD	DOC PART ASY	REVISION A
MATERIAL NUMBER 747548713		CUSTOMER	SHEET NUMBER 3 OF 3	



1X4 SFP+ CAGE ASSY PRESS FIT TYPE, W/ SUS SPRING FINGER & CUSTOM LIGHT PIPE

PRODUCT CUSTOMER DRAWING