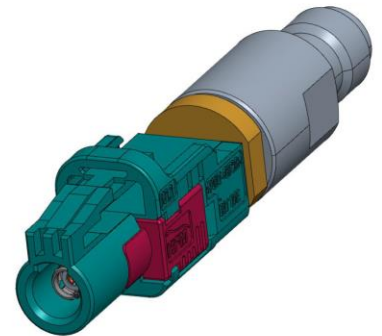
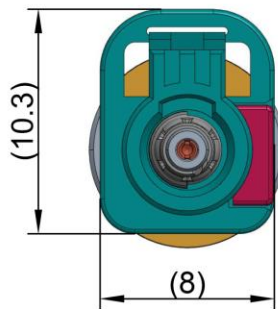


View: Z



All dimensions are in mm

**Interface**

According to  
Mechanically compatible with  
HFM according to

IEC 61169-35  
RPC-3.50 and SMA  
RN\_108-01

**Documents**

Electrical requirement

RN\_107-01

**Material and plating**

**Connector parts**

- Center contact
- Outer contact RPC-2.92
- Outer contact HFM
- Dielectric RPC-2.92
- Dielectric HFM
- Housing HFM
- Secondary lock HFM

**Material**

- CuBe
- Stainless steel
- Brass
- PS
- PA12
- PBT GF20
- PBT GF20

**Plating**

- Gold, min. 1.27 µm, over chemical nickel
- Passivated
- Gold, min. 1.27 µm, over chemical nickel

öffentlich | public

**Electrical data**

Frequency	DC to 20 GHz
Return loss	≥ 30 dB, DC to 3 GHz ≥ 25 dB, 3 GHz to 6 GHz ≥ 20 dB, 6 GHz to 12 GHz ≥ 18 dB, 12 GHz to 20 GHz
Insertion loss	≤ 0.01 x √f(GHz) dB

**Mechanical data**

	RPC-2.92	HFM
Mating cycles	≥ 500	≥ 500 <sup>3</sup>
Mating cycles housing		≥ 25
Maximum torque	1.70 N	
Recommend torque	0.80 Nm to 1.10 Nm	
Engagement force		≤ 15 N
Disengagement force		≥ 2 N
Gauge	0.00 mm to 0.08 mm	

<sup>3</sup> Limitations are possible due to the quality of the used mating connector

**Environmental data**

Operating temperature range <sup>1</sup>	+20 °C to +26 °C
Rated temperature range of use <sup>2</sup>	0 °C to + 50 °C
Storage temperature range	-40 °C to +85 °C

RoHS compliant

<sup>1</sup> Temperature range over which these specifications are valid.

<sup>2</sup> This range is underneath and above the operating temperature range, within the open circuit is fully functional and could be used without damage

**Weight**

9.3 g/pce

While the information has been carefully compiled to the best of our knowledge, nothing is intended as representation or warranty on our part and no statement herein shall be construed as recommendation to infringe existing patents. In the effort to improve our products, we reserve the right to make changes judged to be necessary.

Draft	Date	Approved	Date	Rev.	Engineering change number	Name	Date
S. Andorfer	30.10.19	H. Babinger	07.11.22	400	22-m544	S. Schmid	04.11.22
Rosenberger Hochfrequenztechnik GmbH & Co. KG P.O.Box 1260 D-84526 Tittmoning Germany <a href="http://www.rosenberger.de">www.rosenberger.de</a>						Tel. : +49 8684 18-0 Email : <a href="mailto:info@rosenberger.de">info@rosenberger.de</a>	
							Page 2 / 2