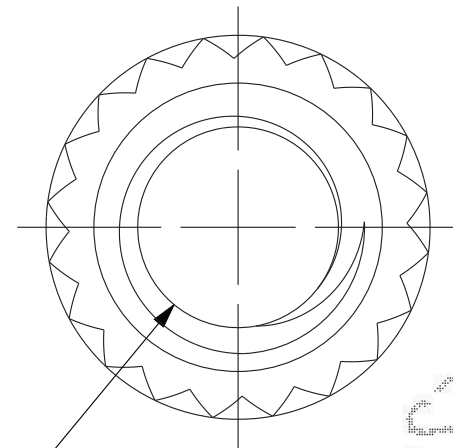
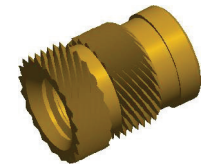
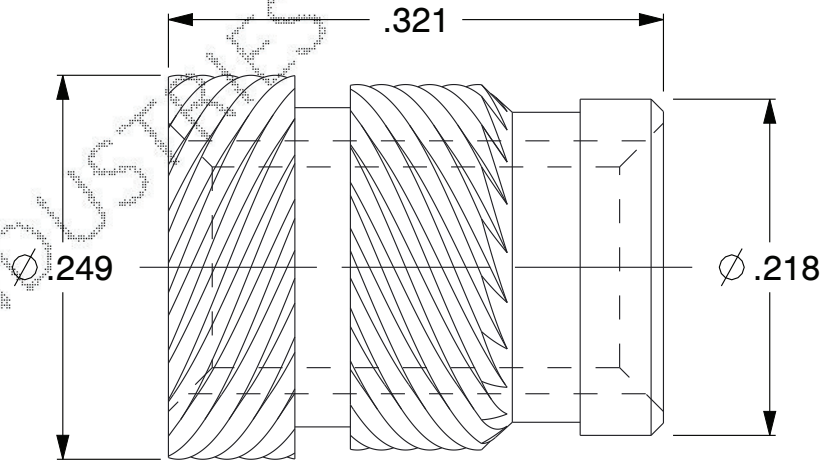


SPECIFICATION DRAWING  
REFERENCE ONLY

REVISIONS		
SYMBOL	DESCRIPTION	DATE/APPROVAL



THREAD THRU: 8-32 UNC-2B



**MATERIAL: BRASS, 360**  
**FINISH: NONE**  
**SCALE: 8:1**

**PROPRIETARY NOTICE**  
THIS DRAWING IS THE PROPERTY OF TRI-STAR IND., INC.  
AND SHALL NOT BE USED, DISCLOSED OR COPIED  
WITHOUT WRITTEN CONSENT FROM TRI-STAR IND., INC.

**DRAWN DATE:**

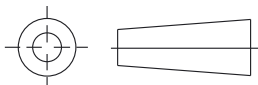
**APPROVED DATE:**



101 MASSIRIO DRIVE  
BERLIN, CT 06037  
PH: (800) 882-8980  
FX: (860) 828-7475

website: <http://www.tristar-inserts.com>

UNTOLERANCED DIMENSIONS  
.XX ±.01 FRACTIONS ±.01  
.XXX ±.004 ANGLE ±1°  
SURFACE FINISH: UNLESS SPECIFIED  $\sqrt{125}$  OR BETTER



UNLESS OTHERWISE SPECIFIED  
DIMENSIONS ARE IN INCHES, THIRD  
ANGLE PROJECTION  
INTERPRET PER ANSI Y14.5M

**TITLE: C-SERIES INSERT**

**CADD# 832X321C**

**PART# 832X321C**