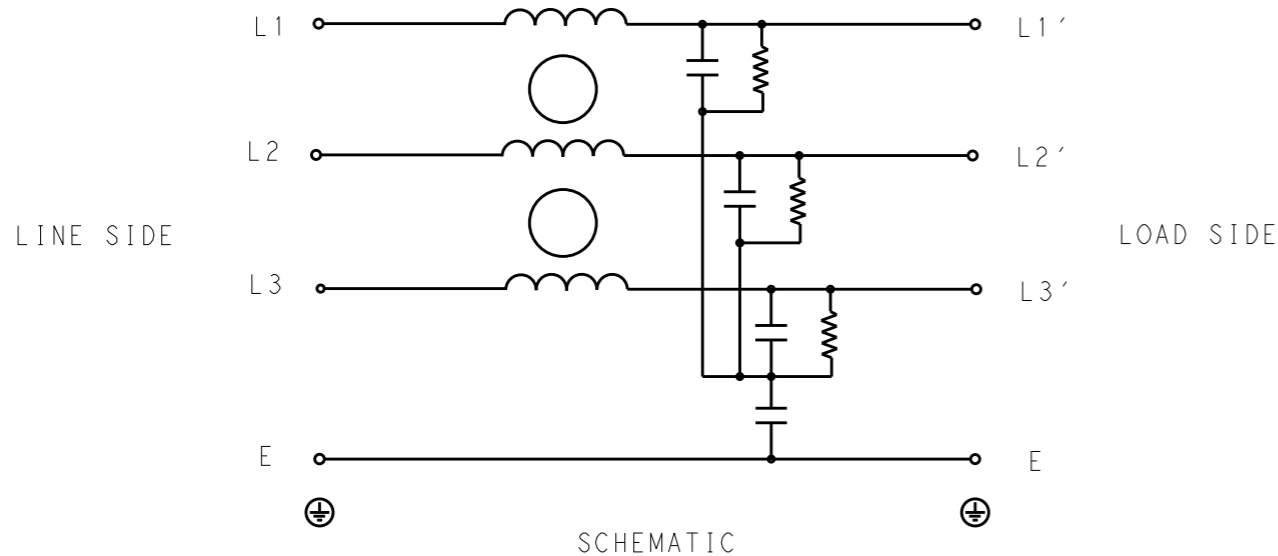
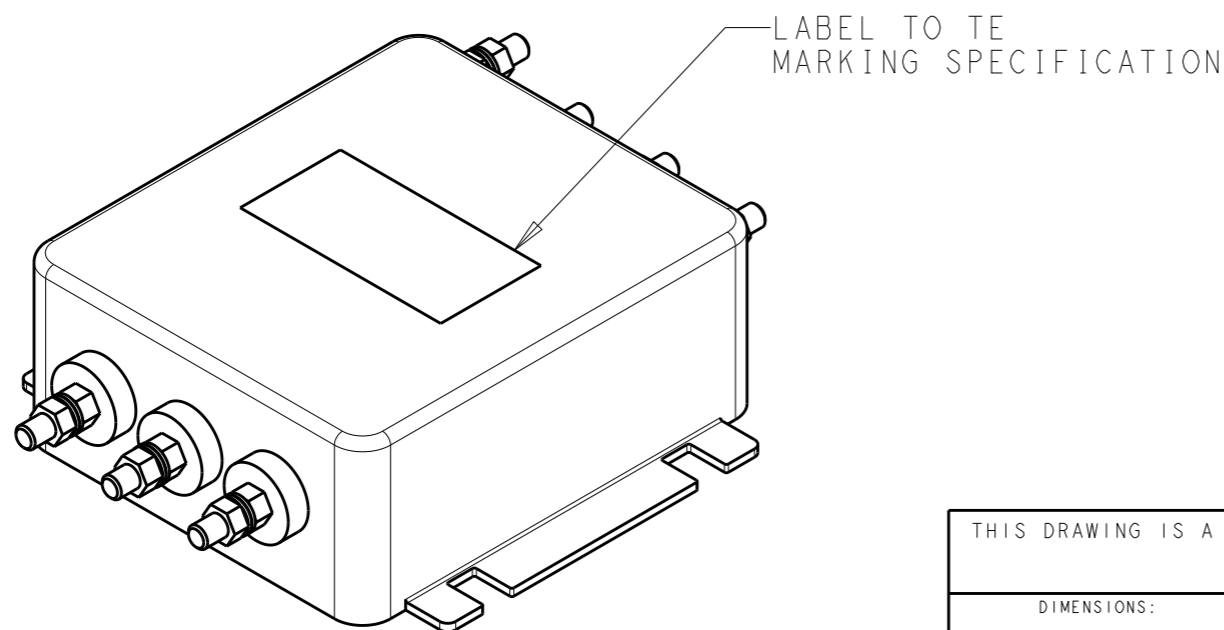


P	LTR	DESCRIPTION	DATE	DWN	APVD
	B	INITIAL RELEASE	12FEB2020	SR	LI



TYPICAL INSERTION LOSS
COMMON MODE 50/50Ω; DIFFERENTIAL MODE 50/50Ω

MHz	0.01	0.05	0.15	0.5	1	3	5	10	30
CM	2	4	6	18	24	32	35	39	27
DM	4	8	15	22	35	42	40	48	50



SAFETY ORGANIZATIONS

THIS FILTER WILL BE FORMALLY RECOGNIZED, CERTIFIED OR APPROVED BY THE LISTED AGENCY. THEREFORE, ALL TEST/REQUIREMENTS SPECIFIED IN THE LATEST REVISION OF THE FOLLOWING AGENCY STANDARDS WILL BE MET:

UL RECOGNIZED* 30A 440V 50Hz/60Hz 40°C
 CSA CERTIFIED** 30A 440V 50Hz/60Hz 40°C

* 31 JULY 2020 ; ** 31 AUGUST 2020

OPERATING SPECIFICATION

LINE CURRENT/VOLTAGE: 30A, 440VAC
 LINE FREQUENCY: 50/60Hz

MAXIMUM LEAKAGE CURRENT: 5mA @ 230VAC, 50Hz

OPERATING AMBIENT TEMPERATURE RANGE @ RATED CURRENT: -25°C TO +40°C

IN AN AMBIENT, T_a, HIGHER THAN 40°C, THE MAXIMUM OPERATING CURRENT, I_o, IS AS FOLLOWS:

$$I_o = I_r \sqrt{\frac{85 - T_a}{45}}$$

RELIABILITY SPECIFICATIONS

STORAGE TEMPERATURE: -40°C TO +85°C
 HUMIDITY: 21 DAYS @ 40°C AND 95% RH

TEST SPECIFICATIONS

INDUCTANCE, NOMINAL: 0.3mH

CAPACITANCE @ 1kHz
 LINE TO GROUND, NOMINAL: 21nF
 LINE TO LINE, NOMINAL: 235nF

DISCHARGE RESISTOR

L/G I.R. 680KΩ 1W
 L/L I.R. 2MΩ 1W
 L/N I.R. XXX
 N/G I.R. XXX
 IR (NO DISCHARGE RESISTOR) 20°C, 50% RH AND 100VDC, MIN: 6MΩ

RECOMMENDED RECEIVING INSPECITON HIPOT

LINE TO GROUND FOR 1 MINUTE: 2632VDC
 LINE TO LINE FOR 1 MINUTE: 1892VDC

FILTER APPROVAL

THE BEST WAY TO SELECT AND QUALIFY A FILTER IS FOR YOUR ENGINEERING TO TEST THE UNIT IN YOUR EQUIPMENT.

THIS DRAWING IS A CONTROLLED DOCUMENT.		DWN 06FEB2020 SUPREETH R	TE Connectivity	
DIMENSIONS: mm		CHK 06FEB2020 LEO IRUDHAYARAJ		
TOLERANCES UNLESS OTHERWISE SPECIFIED:		APVD 06FEB2020 LEO IRUDHAYARAJ	NAME POWER LINE FILTER 30KEBS6AFPD	
0 PLC ±-		PRODUCT SPEC	SIZE	
1 PLC ±0.5		APPLICATION SPEC	CAGE CODE	
2 PLC ±0.40		WEIGHT	DRAWING NO	
3 PLC ±0.130		CUSTOMER DRAWING	RESTRICTED TO	
4 PLC ±0.0500			A300779	
ANGLES ±-			C-1-1609965-7	
MATERIAL			SCALE 3:4	
FINISH			SHEET 1 OF 2	
			REV B	

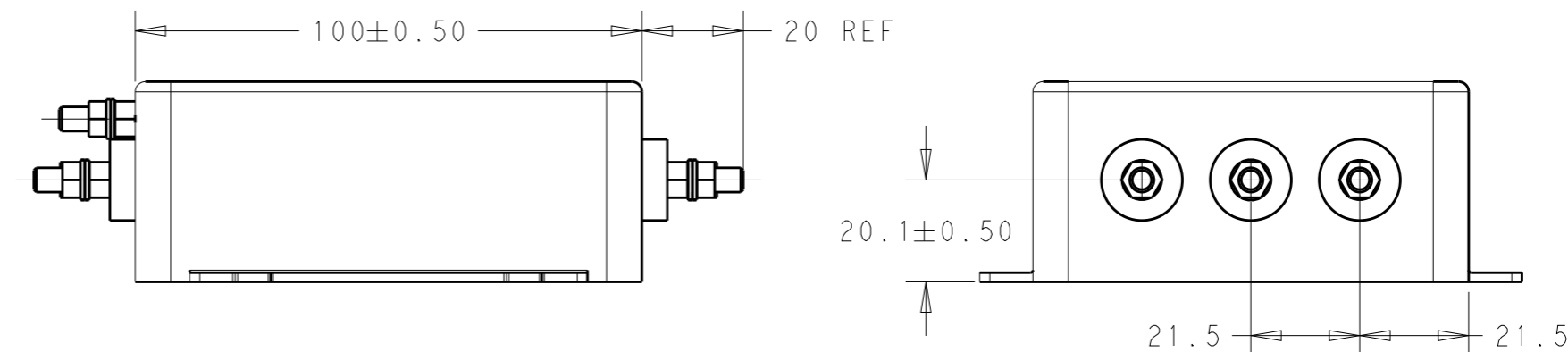
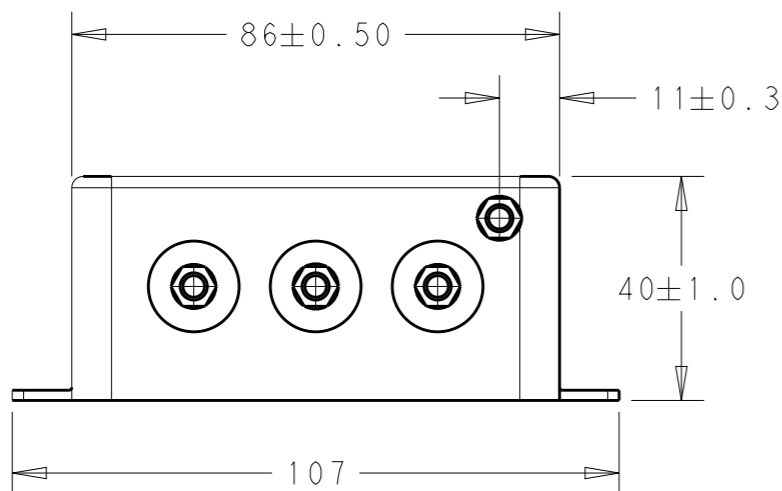
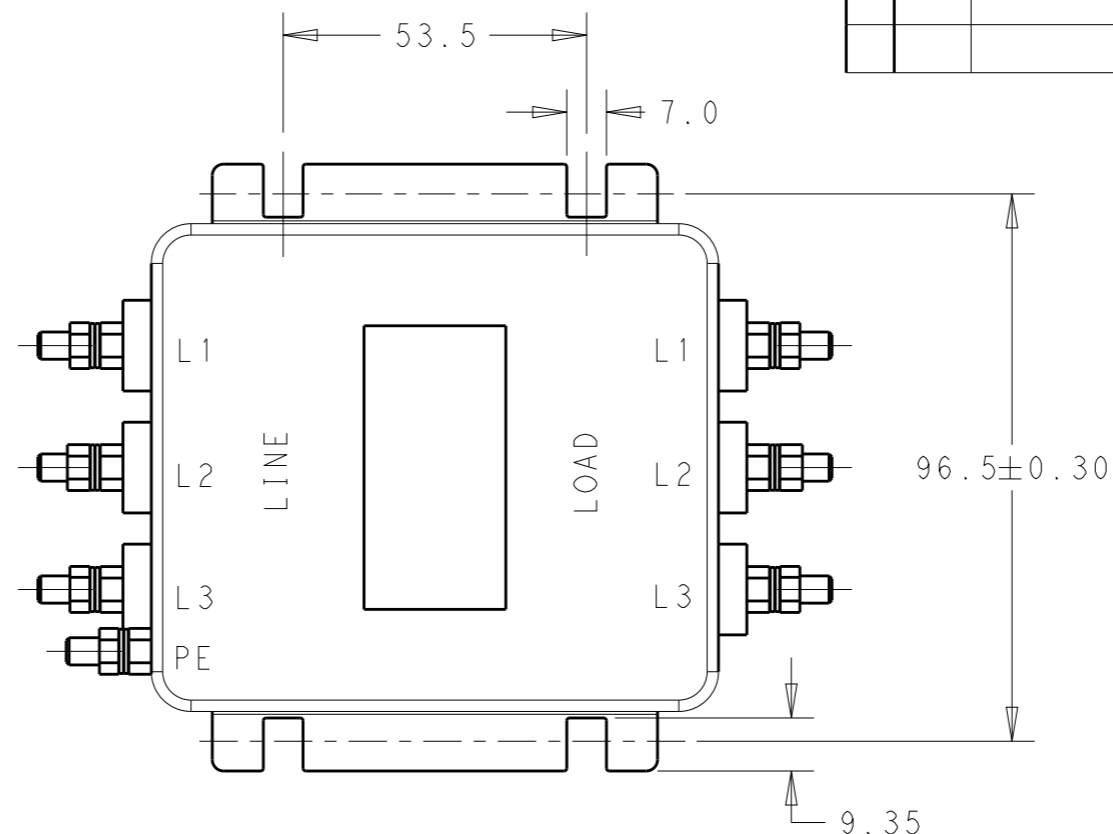
© 2020 TE Connectivity. All Rights Reserved.

NOTE 1 GROUND CONNECTION:
DO NOT LOOSEN INNER GROUND NUTS.
TORQUE OUTER TERMINAL /GROUND NUTS: 2Nm

NOTE 2 INPUT OUTPUT CONNECTION TERMINAL
AWG SIZE: XXX
THREADED BOLT SIZE FOR TERMINAL: M5
THREADED BOLT SIZE FOR GROUND: M5

REVISIONS

P	LTR	DESCRIPTION	DATE	DWN	APVD
		SEE SHEET 1			



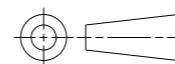
THIS DRAWING IS A CONTROLLED DOCUMENT.

DWN SUPREETH R 06FEB2020
 CHK LEO IRUDHAYARAJ 06FEB2020
 APVD LEO IRUDHAYARAJ 06FEB2020



DIMENSIONS:

mm



TOLERANCES UNLESS OTHERWISE SPECIFIED:

- 0 PLC ±-
- 1 PLC ±0.5
- 2 PLC ±0.40
- 3 PLC ±0.130
- 4 PLC ±0.0500
- ANGLES ±-

MATERIAL

-

FINISH

-

PRODUCT SPEC

-

APPLICATION SPEC

-

WEIGHT

-

NAME
POWER LINE FILTER
30KEBS6AFPD

SIZE	CAGE CODE	DRAWING NO	RESTRICTED TO
------	-----------	------------	---------------

A300779	C-1-1609965-7		
---------	---------------	--	--

CUSTOMER DRAWING

SCALE	SHEET	OF	REV
3:4	2	2	B