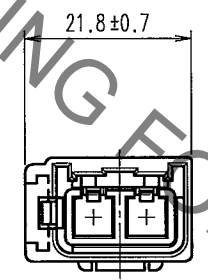
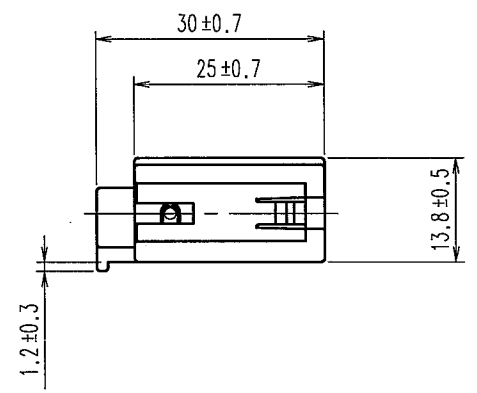
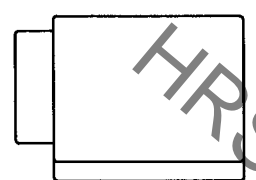
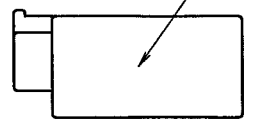


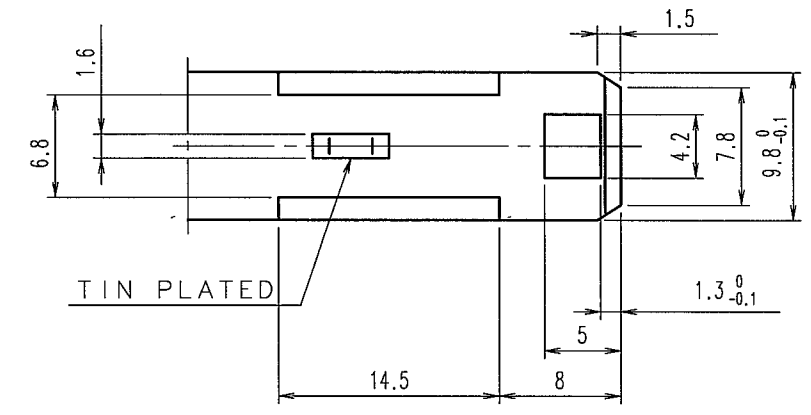
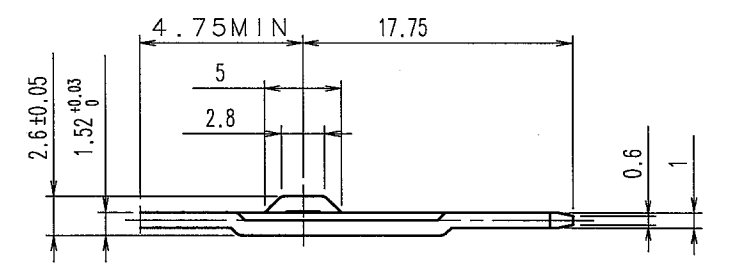
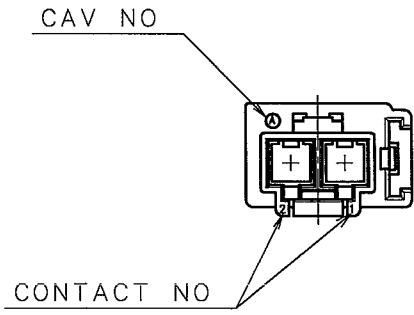
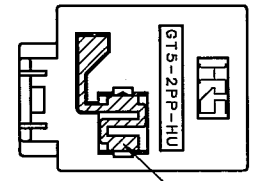
May.1.2023 Copyright 2023 HIROSE ELECTRIC CO., LTD. All Rights Reserved.
In case of consideration for using Automotive equipment / device which demand high reliability, kindly contact our sales window correspondents.

ELV. RoHS COMPLIANT

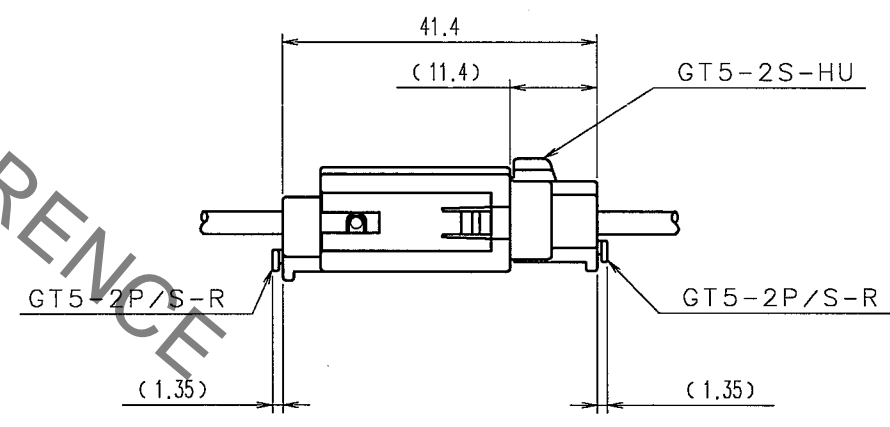
1



2



DETAIL OF FITTING PLATE(2 : 1)



MATED CONNECTORS

COUNT	DESCRIPTION OF REVISIONS	BY	CHKD	DATE	COUNT	DESCRIPTION OF REVISIONS	BY	CHKD	DATE
△				..	△				..
△				..	△				..
△				..	△				..

NOTE1. THIS CONNECTOR SHALL BE USED WITH A RETAINER (CL755-0046-7).

1	PBT	UL94HB, LIGHT GRAY	2	PHOSPHOR BRONZE	TIN PLATED, T=0.3
NO.	MATERIAL	FINISH, REMARKS	NO.	MATERIAL	FINISH, REMARKS
CODE NO. (OLD)			DRAWN	DESIGNED	CHECKED
			T. KUBOTA	T. SHISHIKURA	K. Aoto
			'07. 4. 26	'97. 1. 29	07. 4. 27
					K. Aoto
					07. 4. 27
					..
DRAWING NO.			PART NO.		
EDC3-165328-01			GT5-2PP-HU(70)		
SCALE			CODE NO.		
1 : 1			CL755-0045-4-70		
UNITS			1/1		
mm			HRS HIROSE ELECTRIC CO., LTD		

TO
AMC

AMC