

Customer Information Sheet

DRAWING No.: M20-877XXXX

SHEET 2 OF 2

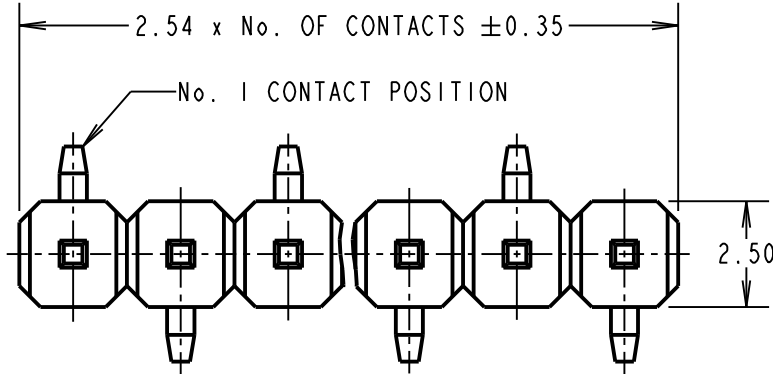
IF IN DOUBT - ASK

©

NOT TO SCALE

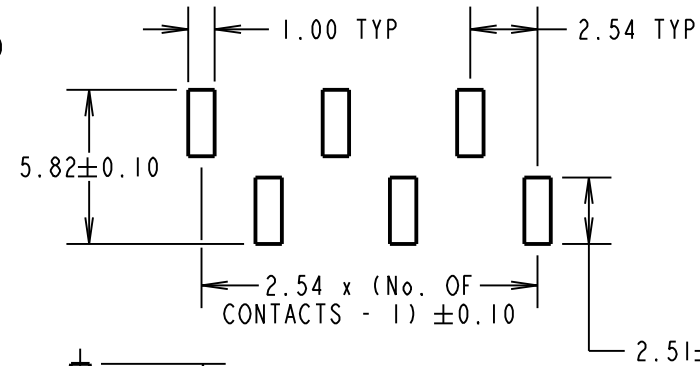
THIRD ANGLE PROJECTION

ALL DIMENSIONS IN mm

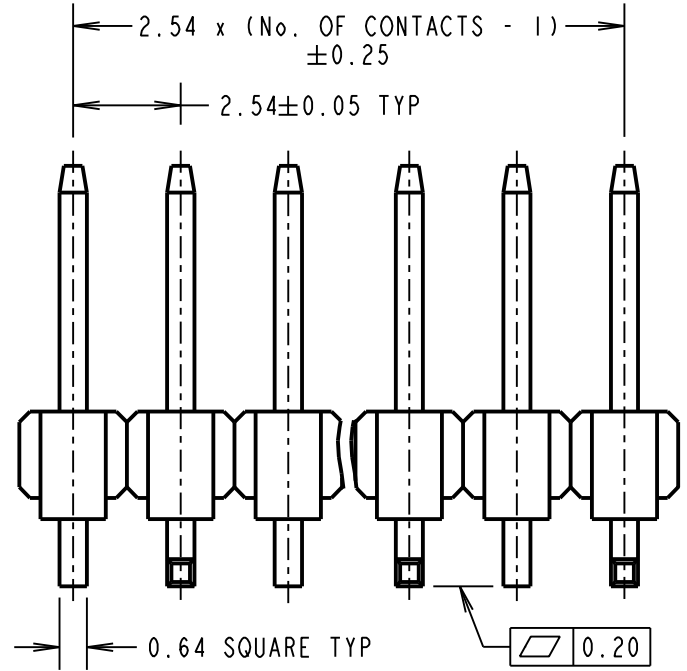


OBSOLETE
All other size/finish combinations not listed below

RECOMMENDED PAD LAYOUT
(TOLERANCE = ± 0.05)

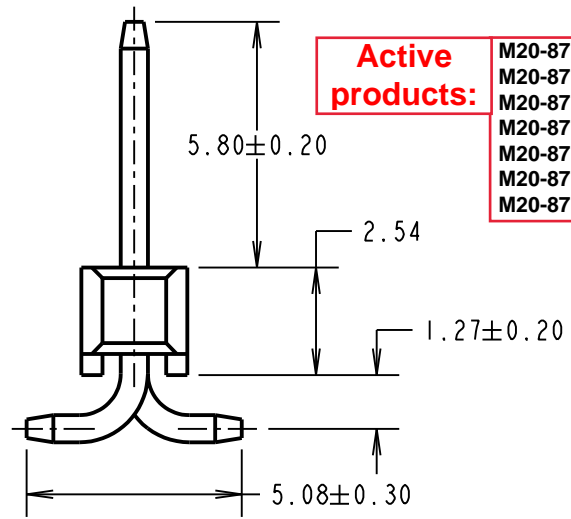


SPECIFICATION:
MATERIAL:
 MOULDING = PA6T UL94V-0, BLACK
 CONTACT = BRASS
 FINISH (OVER NICKEL):
 42 = SELECTIVE GOLD ON CONTACT AREA,
 100% TIN ON TAILS
 46 = 100% TIN
ELECTRICAL:
 CURRENT RATING = 3A MAX
 CONTACT RESISTANCE = 20m Ω MAX
 INSULATION RESISTANCE = 1,000M Ω MIN
 VOLTAGE RATING = 250V AC/DC
 WITHSTANDING VOLTAGE = 500V AC FOR ONE MIN
MECHANICAL:
 DURABILITY = 50 OPERATIONS (TIN),
 300 OPERATIONS (GOLD)
ENVIRONMENTAL:
 TEMPERATURE RANGE = -40°C TO +105°C
PACKING:
 BAG
 FOR COMPLETE SPECIFICATION, SEE COMPONENT SPECIFICATION COOIXX (LATEST ISSUE)



Active products:

M20-87702XX	M20-8770942
M20-87703XX	M20-87710XX
M20-87704XX	M20-8771146
M20-87705XX	M20-87712XX
M20-87706XX	M20-8771346
M20-87707XX	M20-8771546
M20-87708XX	



NOTES:
 1. ALL TOLERANCES ARE ± 0.15 mm UNLESS OTHERWISE STATED.

ORDER CODE:
M20-877XXXX

No. OF CONTACTS: 02 TO 20, 25, 36

FINISH:
 42 = SELECTIVE GOLD + 100% TIN
 46 = 100% TIN

WJP	19	01.08.17	20398
NAME	ISS.	DATE	C/NOTE
APPROVED: W. J. PRESTON			
CHECKED: M. PLESTED			
DRAWN: P. D. COLLINS			
CUSTOMER REF.:			
ASSEMBLY DRG:			

HARWIN

www.harwin.com
 technical@harwin.com

THIS DRAWING AND ANY INFORMATION OR DESCRIPTIVE MATTER SET OUT HEREON ARE CONFIDENTIAL AND COPYRIGHT PROPERTY OF THE HARWIN GROUP AND MUST NOT BE DISCLOSED, LOANED, COPIED OR USED FOR MANUFACTURING, TENDERING OR FOR ANY OTHER PURPOSE WITHOUT THEIR WRITTEN PERMISSION.

TOLERANCES
~~X = ± 1 mm~~
~~X.X = ± 0.50 mm~~
~~X.XX = ± 0.10 mm~~
~~X.XXX = ± 0.01 mm~~
 ANGLES = $\pm 5^\circ$
 UNLESS STATED

MATERIAL:
 SEE ABOVE

FINISH: SEE ABOVE

S/AREA: mm²

TITLE: 2.54mm PITCH SIL SMT PIN HEADER ASSEMBLY (LEFT-HANDED LEAD)

DRAWING NUMBER: M20-877XXXX

SHT 2 OF 2