

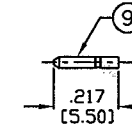
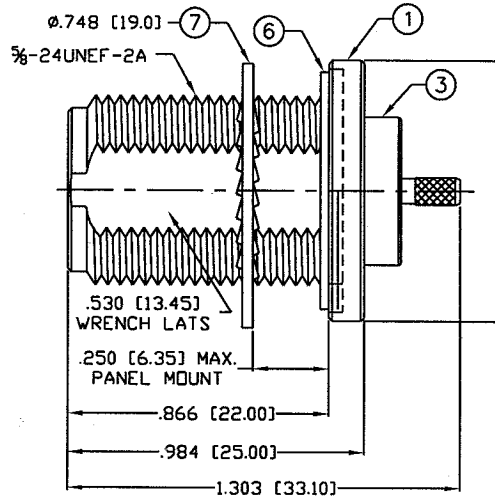
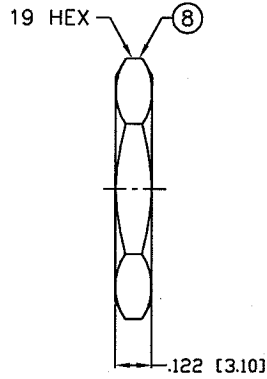
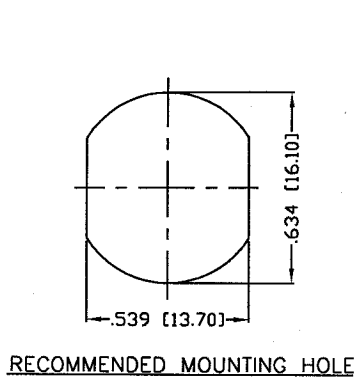
THIS DRAWING CONTAINS INFORMATION PROPRIETARY TO RF INDUSTRIES.
 ANY UNAUTHORIZED USE OF THIS DRAWING IS EXPRESSLY PROHIBITED
 WITHOUT WRITTEN PERMISSION FROM RF INDUSTRIES.
 ANY VIOLATION IS PUNISHABLE UNDER U.S. COPYRIGHT LAWS.

ALL DIMENSIONS ARE REFERENCE ONLY

PART NO.

RFN-1022-8-B1

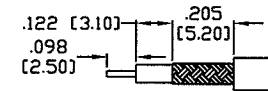
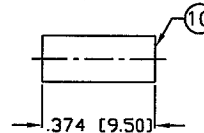
REV	DESCRIPTION	DWN	DATE	APPROVED
A	ENGINEERING RELEASE	CZS	1/20/98	R. RICE
B	CHANGE FERRULE DIMS / REMOVE P/N	CZS	6/3/99	R. RICE
C	CHANGE FERRULE ID & LENGHT DIMS	CZS	4/14/00	R. RICE
D	CHANGE FERRULE LENGHT, DWG. # & DWG FORMAT	CZS	6/21/01	JDMc



SOLDER PIN RECOMMENDED
 IF CRIMPING USE RFA-4089 CRIMP TOOL

SPECIFICATIONS:

IMPEDANCE: 50 OHMS
 FREQUENCY RANGE: 0-11 GHZ
 VSWR: 1.3 Max.
 INSERTION LOSS: .06 dB Max. $X\sqrt{f}$ GHZ
 WORKING VOLTAGE: 1k V rms @ sea level
 TEMPERATURE RANGE: -65°C TO 165°C
 INSULATION RESISTANCE: 5k M Ohms min.
 FOR RG-316/U DOUBLE SHIELD CABLE



1	BODY	1	BRASS	NICKEL, 100μ"
2	INSULATOR	1	PTFE	---
3	FERRULE STUD	1	BRASS	NICKEL, 100μ"
4	CONTACT	1	PHOS. BRONZE	GOLD, 3μ"
5	INSULATOR	1	PTFE	---
6	GASKET	1	SILICONE	---
7	LOCK WASHER	1	BRASS	NICKEL, 100μ"
8	HEX NUT	1	BRASS	NICKEL, 100μ"
9	PIN	1	BRASS	GOLD, 3μ"
10	FERRULE	1	COPPER	NICKEL, 100μ"
11				
12				
13				
14				
#	DESCRIPTION	QTY	MATERIAL	FINISH

008974	
DRAWN	C. ZUNIGA
CHECKED	<i>[Signature]</i>
ORJ DRAWN	C. ZUNIGA
DATE	6/21/01
DATE	1/20/98

UNLESS OTHERWISE SPECIFIED:

- REMOVE ALL BURRS
- BREAK ALL CORNERS & EDGES .005 R. MAX.
- CHAMFER 1ST & LAST THREADS 45°
- SURFACE ROUGHNESS 63 FINISH MIL-STD-10
- DIAMETERS ON COMMON CENTERS TO BE CONCENTRIC WITHIN .002 T.I.R.
- ALL DIMENSIONS ARE AFTER PLATING.

DIMENSIONS ARE IN INCHES AND [MILLIMETERS]
 UNLESS OTHERWISE NOTED TOLERANCES ARE:

DECIMALS	DIAMETER
.xxx±.003 [.08]	.xxx±.001 [.03]
.xx±.005 [.13]	.xx±.003 [.08]

RF connectors
 DIVISION OF RF INDUSTRIES, LTD.

7610 MIRAMAR RD
 SAN DIEGO, CA 92126
 (858) 549-6340
 (858) 549-6345 FAX

N JACK, CRIMP

BULKHEAD

SIZE	CABLE GROUP	DWG NO.	REV
A	B1	RFN-1022-8-B1	D

SCALE: NTS CAD FILE OUTLINE SHEET 1 OF 1