



Features:

- Motor: Brushless EC
- Motor Protection: Electronically Protected
- Bearing Type: Two Ball
- Connection: UL 1007 AWG 22, 400mm Wire Leads
- Frame Material: Aluminum Alloy
- Impeller Material: Plastic UL94V-0
- IP54 Rated (Optional: IP55, IP56)
- Operating Temp:
 - Two Ball: -20°C~70°C
- Life Expectancy:
 - Two Ball: 70,000 Hours (40°C)



Fan-S Division

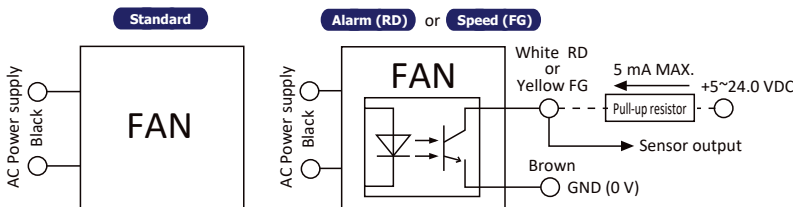
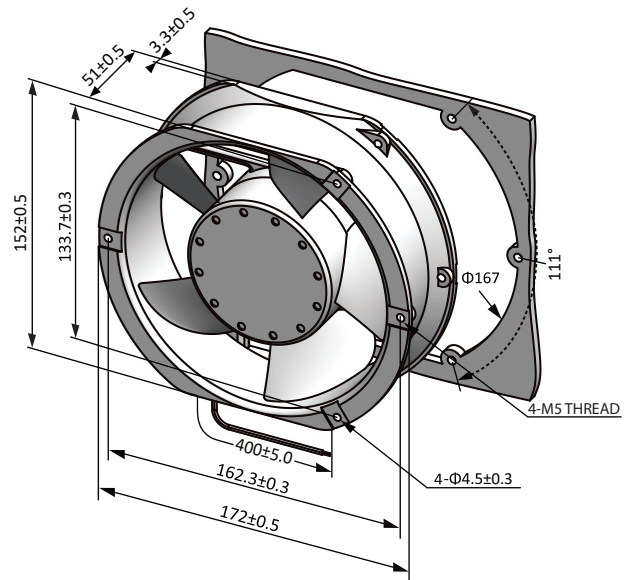
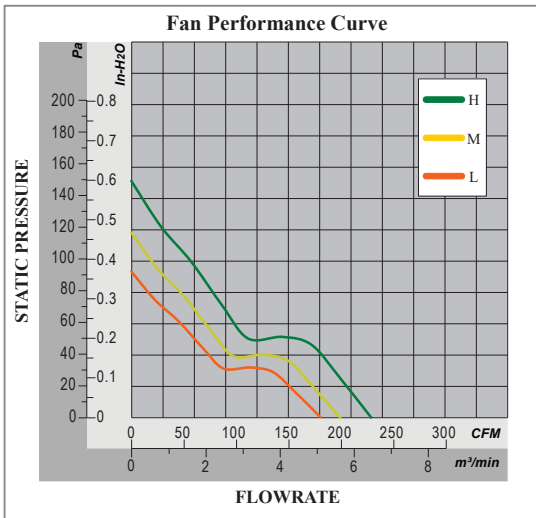


Model No.	Volt.	Current	Power	Rated Speed	Maximum AirFlow		Maximum Static Pressure		Noise Level	Weight
	(VAC)	(A)	(W)	(rpm)	(CMM)	(CFM)	(InAq)	(Pa)	(dB/A)	(g)
FMA1-17251WBHW3** #	100-240	0.20	22.50	3200	6.47	228.35	0.60	149.55	55.4	720
FMA1-17251WBMW3** #	100-240	0.17	19.00	2800	5.65	199.34	0.46	115.03	51.5	720
FMA1-17251WBLW3** #	100-240	0.10	11.00	2500	5.12	180.83	0.38	93.46	48.0	720

** Indicates "2" (No Special Function), "3" (Alarm), "4" (Speed Sensor)

Noise is measured at the distance of one (1) meter from the axis of intake.

Indicates "-55" (IP55 Rated), "-56" (IP56 Rated), or Leave Blank (IP54 Rated)



Note: Standard Qualtek EC fans have either 2 lead wires, or terminals
 Alarm (RD) or Speed Sensor (FG) fans have 4 lead wires. RD - White color, FG - Yellow color, GND - Brown