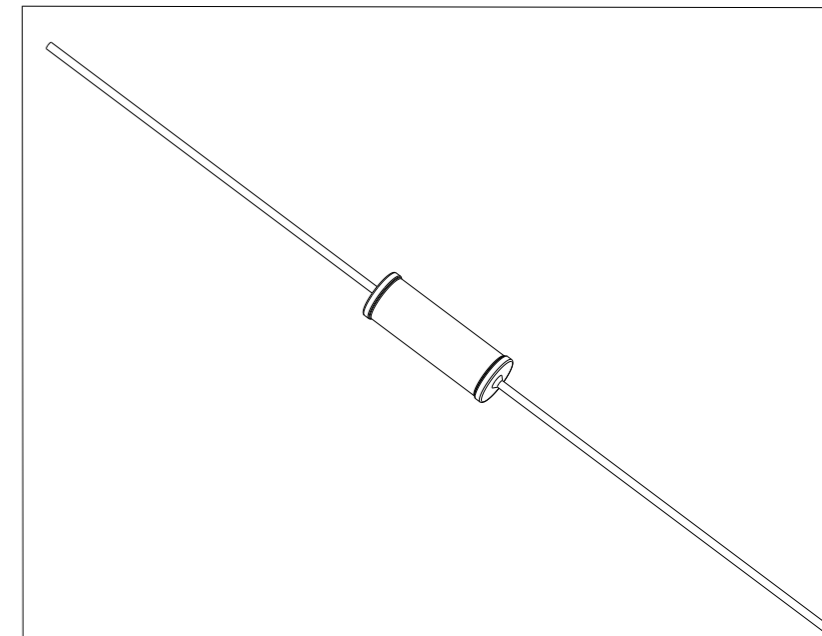
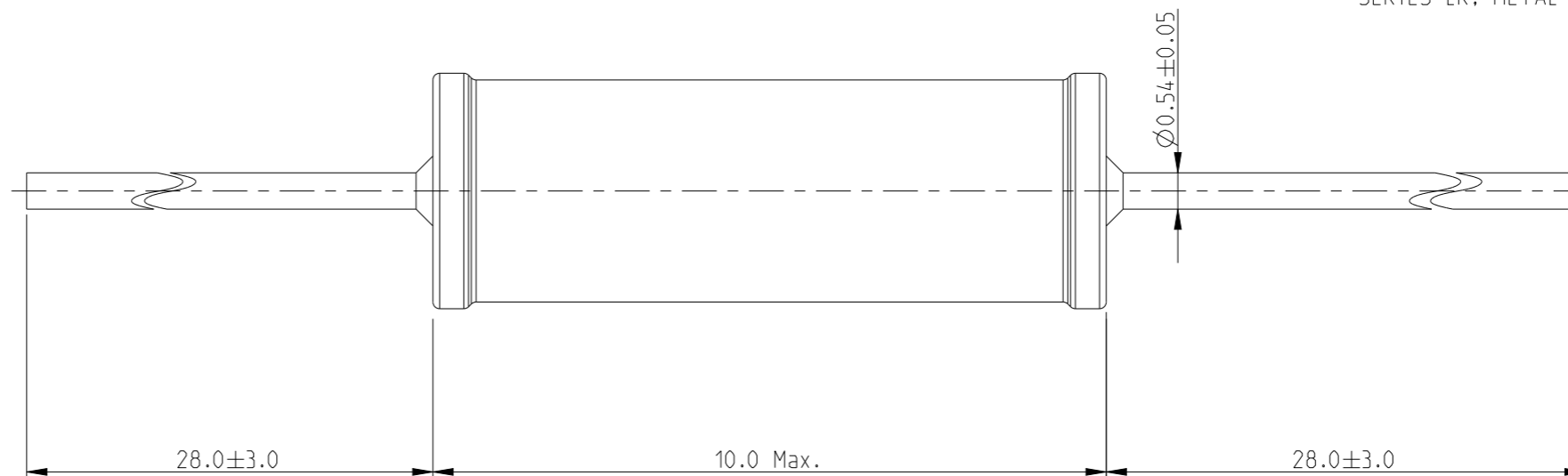
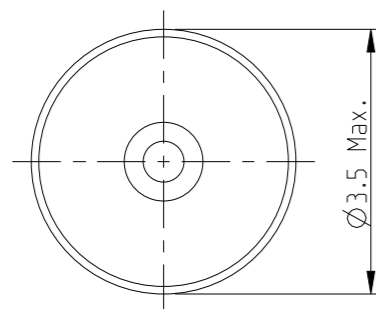


REVISIONS

P	LTR	DESCRIPTION	DATE	DWN	APVD
	BA	NEW RELEASE	07 JULY 2010	PT	St.P
	BB	CLARIFICATION OF DIMENSIONS	18 JAN 2023	DM	AP

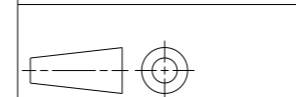
FOR FURTHER INFORMATION SEE DATA SHEET FOR SERIES LR. METAL FILM FIXED RESISTORS



RoHS Compliant

THIS DRAWING IS A CONTROLLED DOCUMENT.

DIMENSIONS:  
mm



MATERIAL  
-

TOLERANCES UNLESS OTHERWISE SPECIFIED:

0 PLC	$\pm 0.2$
1 PLC	$\pm 0.1$
2 PLC	$\pm$
3 PLC	$\pm$
4 PLC	$\pm$
ANGLES	$\pm 5^\circ$
FINISH	-

DWN 07 JULY 2010  
PARUSURAM.T

CHK 07 JULY 2010  
ALLAN.P

APVD 07 JULY 2010  
STEPHEN.P

PRODUCT SPEC  
-

APPLICATION SPEC  
-

WEIGHT  
-

CUSTOMER DRAWING

NAME  
METAL FILM FIXED RESISTORS  
SERIES LR2



SIZE	CAGE CODE	DRAWING NO	RESTRICTED TO
------	-----------	------------	---------------

A3	00779	C=1622781	-
----	-------	-----------	---

SCALE	SHEET	OF	REV
10:1	1	1	BB