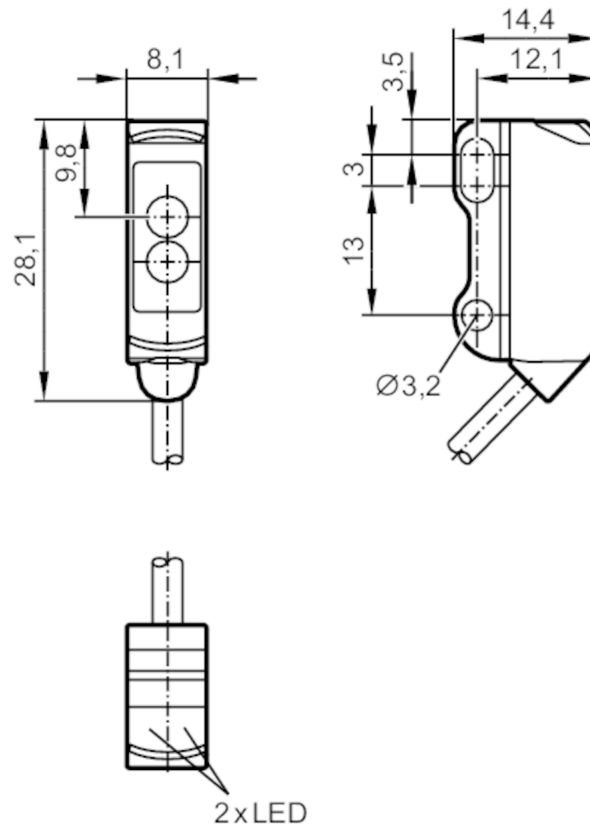


O8E200



Through-beam sensor receiver

O8E-FPKG/IO-Link/2,0M



receiver in upper lens



Product characteristics

Type of light	red light
Housing	rectangular

Application

Function principle	Through-beam sensor
--------------------	---------------------

Electrical data

Operating voltage	[V]	10...30 DC
Current consumption	[mA]	15; ((24 V))
Protection class		III
Reverse polarity protection		yes
Type of light		red light
Wave length	[nm]	633



Through-beam sensor receiver

O8E-FPKG/IO-Link/2,0M

Outputs		
Electrical design	PNP	
Output function	dark-on mode	
Max. voltage drop switching output DC [V]	2.5	
Permanent current rating of switching output DC [mA]	100	
Switching frequency DC [Hz]	1000	
Short-circuit protection	yes	
Type of short-circuit protection	pulsed	
Detection zone		
Transmitter / receiver	receiver	
Range [m]	< 3	
Interfaces		
Communication interface	IO-Link	
Transmission type	COM2 (38,4 kBaud)	
IO-Link revision	1.1	
SDCI standard	IEC 61131-9	
Profiles	Smart Sensor: Device Identification; Device Diagnosis; Teach Channel; Switching Channel	
SIO mode	yes	
Required master port type	A	
Min. process cycle time [ms]	2.5	
IO-Link process data (cyclical)	function	bit length
	process value	8
	device status	4
	binary switching information	1
IO-Link functions (acyclical)	application specific tag; operating hours counter; switching cycles counter	
Supported DeviceIDs	Type of operation	DeviceID
	Default	787
Operating conditions		
Ambient temperature [°C]	-25...60	
Protection	IP 65; IP 67	
Tests / approvals		
EMC	EN 60947-5-2	
MTTF [years]	1139	
Mechanical data		
Weight [g]	38.4	
Housing	rectangular	
Dimensions [mm]	28.1 x 8.1 x 14.4	
Materials	housing: ABS; stainless steel (1.4404 / 316L)	
Lens material	PMMA	
Lens alignment	side lens	

O8E200



Through-beam sensor receiver

O8E-FPKG/IO-Link/2,0M

Displays / operating elements

Display	switching status	1 x LED, yellow
	operation	1 x LED, green

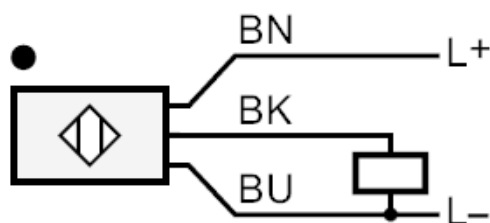
Remarks

Pack quantity	1 pcs.
---------------	--------

Electrical connection

Cable: 2 m, PVC, black, Ø 2.9 mm; 3 x 0.08 mm²

Connection

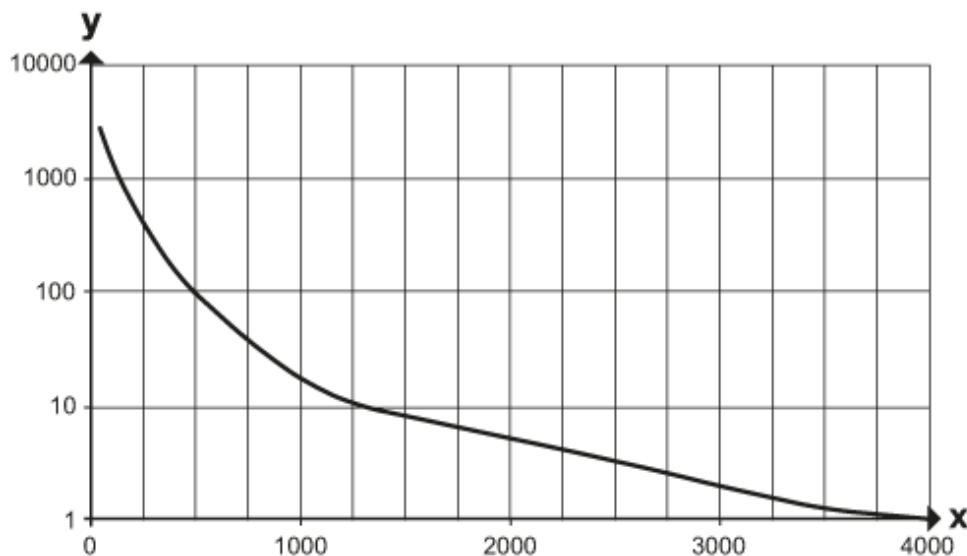


Core colours :

- BN = brown
- BK = black
- BU = blue

Diagrams and graphs

excess gain graph



x: distance [mm]
y: excess gain factor