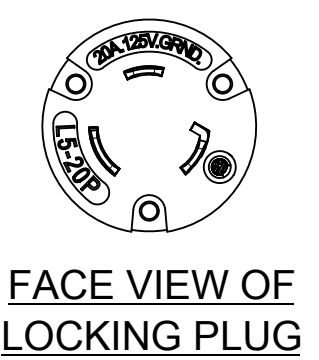
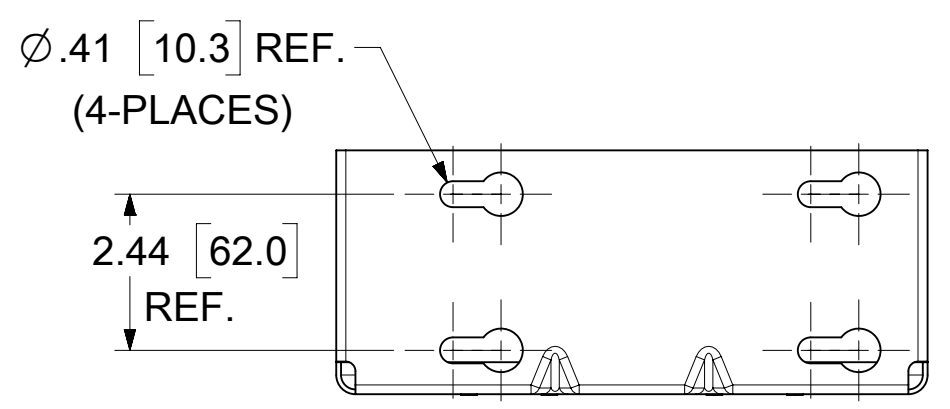


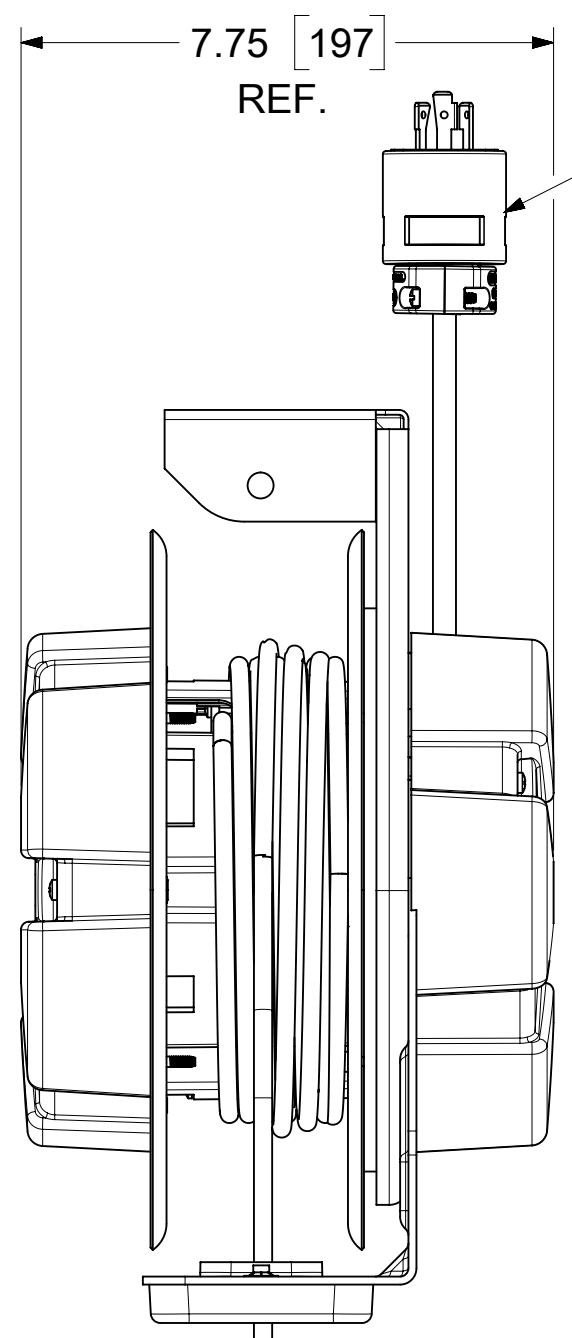
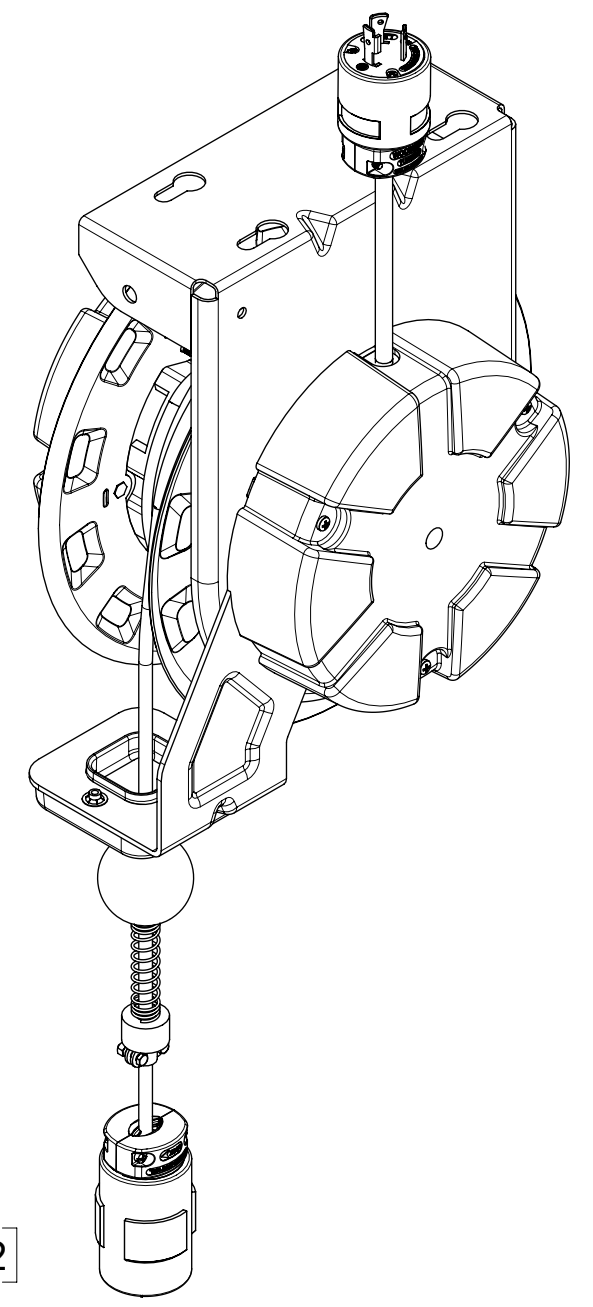
ORDER NO	130091-0206
WOODHEAD ENG. NO	998L-2747
WIRE GAUGE	12
CONDUCTORS	3
AMPERAGE	20A
WORKING CORD	35 FT. BLACK
CORD TYPE	SJTOW
CONSTRUCTION	STEEL
PAINT	YELLOW POWDER COAT
REEL ENCLOSURE RATING	INDOOR
RETRACTION WEIGHT	3.0 LB [1.4 KG]



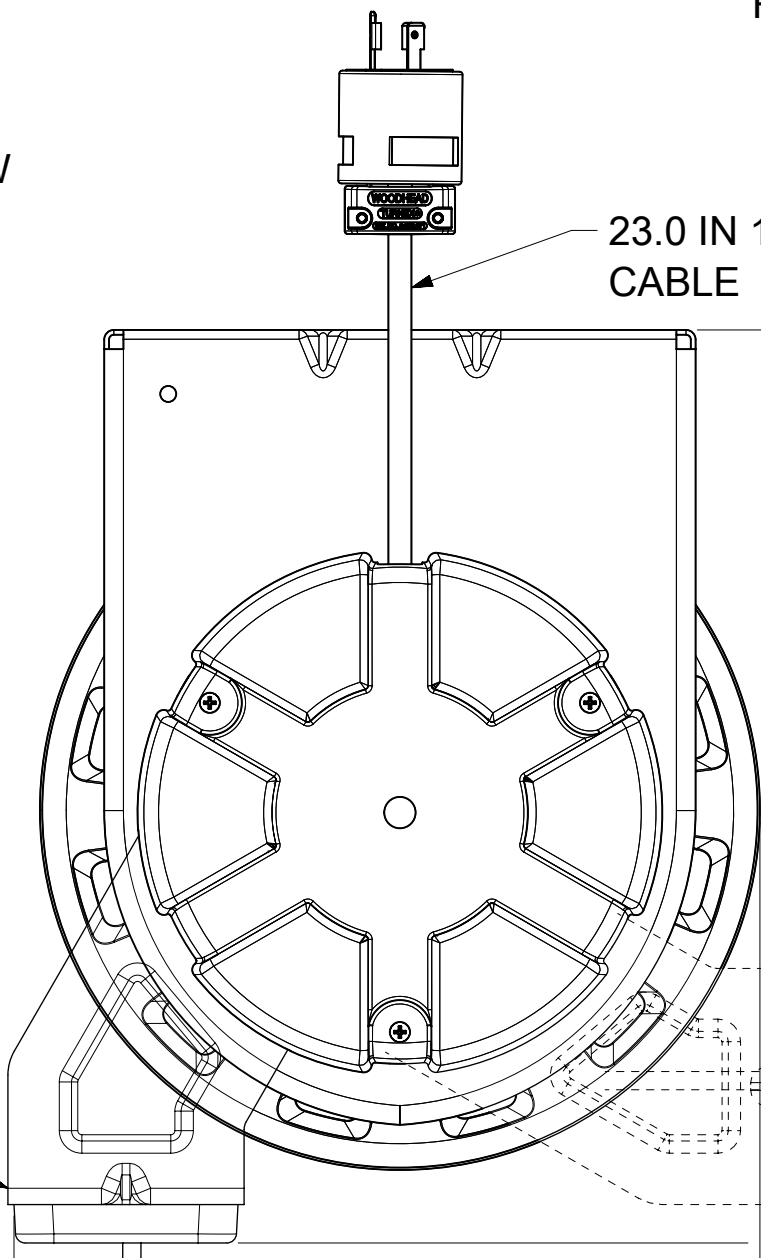
FACE VIEW OF LOCKING PLUG



MOUNTING BASE

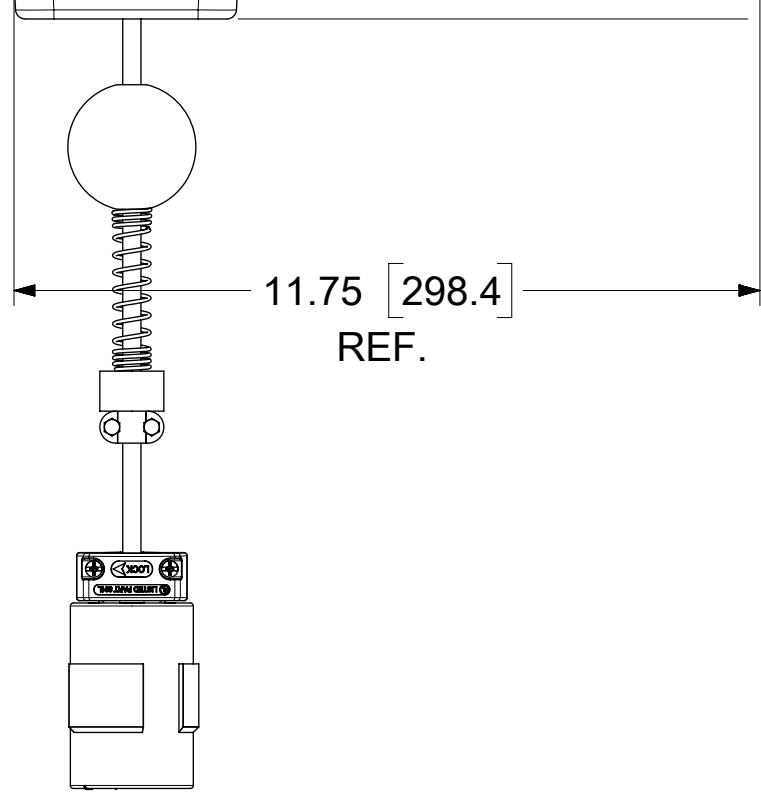
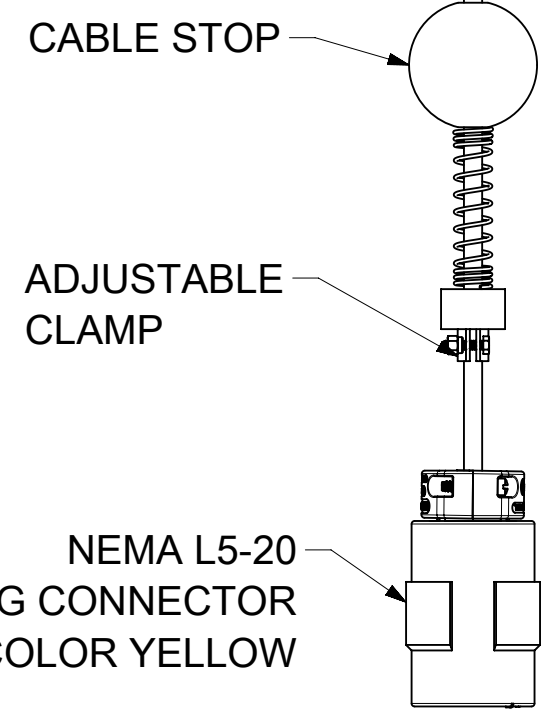


NEMA L5-20 LOCKING PLUG
COLOR: YELLOW



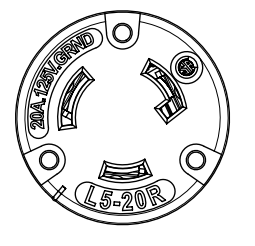
23.0 IN 12-3 SJTOW CABLE

GUIDE ARM CAN ROTATE 90°



11.75 [298.4] REF.

- NOTES:**
1. CABLE GUIDE IS ADJUSTABLE - DUAL POSITION
 2. RATCHET LOCK IS EASY TO DISENGAGE FOR CONSTANT TENSION.
 3. REEL CANNOT BE "LOCKED OUT" AT FULL TENSION.
 4. CABLE STOP INCLUDED



FACE VIEW OF CONNECTOR

FUNCTIONAL SYMBOLS	THIS DRAWING CONTAINS INFORMATION THAT IS PROPRIETARY TO MOLEX ELECTRONIC TECHNOLOGIES, LLC AND SHOULD NOT BE USED WITHOUT WRITTEN PERMISSION			
	DIMENSION UNITS	SCALE	CURRENT REV DESC: RELEASE CUSTOMER DRAWING	
$F_A = 0$	INCH/MM	NTS	<p>molex</p> <p>20A CORD REEL 35' #12-3 SJTOW L5-20 PLUG/CONNECTOR</p> <p>PRODUCT CUSTOMER DRAWING</p>	
$F_E = 0$	GENERAL TOLERANCES (UNLESS SPECIFIED)			
$F_P = 0$	MM	INCH		
DIVISIONAL SYMBOLS	4 PLACES	±		
	3 PLACES	±	± 0.005	
	2 PLACES	± 0.13	± 0.01	
	1 PLACE	± 0.25	± 0.02	
	0 PLACES	±	±	
	ANGULAR TOL	± 0.5°		
DRAFT WHERE APPLICABLE MUST REMAIN WITHIN DIMENSIONS		THIRD ANGLE PROJECTION	DRAWING C-SIZE	SERIES 130091
		EC NO: 670807	DRWN: DSOPPIN	2020/06/23
		CHK'D: DSOPPIN	APPR: HKNEELAND	2022/06/08
		INITIAL REVISION:	DRWN: KCOX01	2015/07/30
		APPR: JFMURPHY		2015/09/17
DOCUMENT NUMBER	DOC TYPE	DOC PART	REVISION	
SD-130091-016	PSD	001	A1	
MATERIAL NUMBER	CUSTOMER	SHEET NUMBER		
SEE TABLE	GENERAL MARKET	1 OF 1		