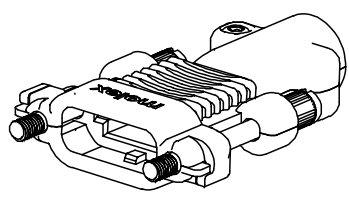
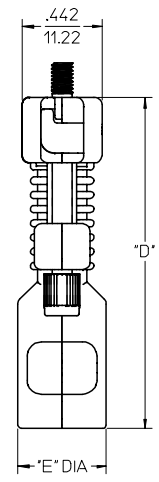
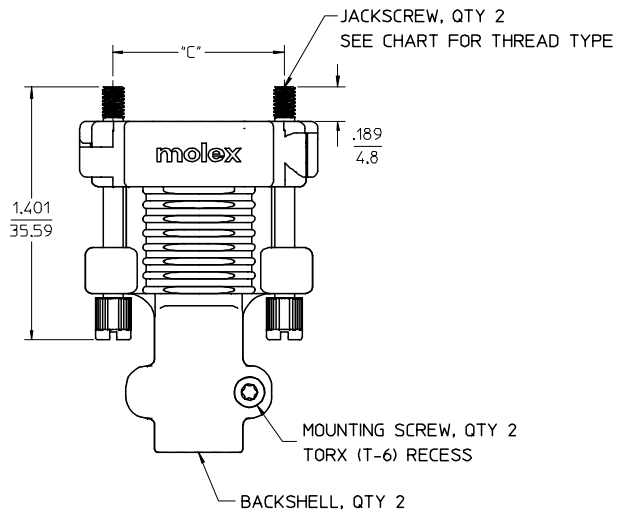
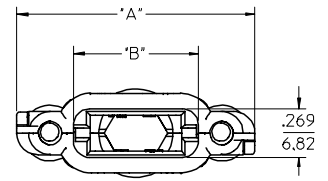


CKT SIZE	*A* DIM	*B* DIM	*C* DIM	*D* DIM	*E* DIM	CABLE OD
18	1.320/33.55	.691/17.56	.950/24.13	1.835/46.62	.490/12.45	.310/7.87
28	1.570/39.90	.941/23.91	1.200/30.48	1.835/46.62	.490/12.45	.335/8.51
38	1.820/46.25	1.191/30.26	1.450/36.83	2.270/57.65	.490/12.45	.355/9.02
48	2.070/52.60	1.441/36.61	1.700/43.18	2.478/62.93	.569/14.45	.440/11.18
72	2.670/67.84	2.041/51.85	2.300/58.42	2.741/69.62	.726/18.45	.635/16.13

- NOTES:
- MATERIALS:
 BACKSHELL - ZINC ALLOY DIE CAST, FINISH BLACK POLYURETHANE ENAMEL.
 JACKSCREW - STAINLESS STEEL, FINISH PASSIVATE.
 MOUNTING SCREW - STEEL ALLOY, FINISH BLACK ZINC PLATING.
 - PLUG CABLE KIT COMPONENTS TO BE BULK PACKAGED PER PK-75115-993.
 - MOUNTING SCREW APPLICATION TORQUE TO BE MIN. 3 lbf-in AND NOT TO EXCEED 4 lbf-in.
 - STRAIN RELIEF IS DESIGNED FOR THE CABLE DIAMETER SPECIFIED IN TABLE ON THIS PAGE.
 WHEN USING SMALLER CABLE DIAMETER, USE HEAT SHRINK TUBING TO BUILD UP THE CABLE TO SPECIFIED DIAMETER.



18 CKT PLUG CABLE KIT



MOD JACKSCREW MATERIAL EC NO: UCP2007-1309 DRWN:MSIBARRA 2007/02/27 CHKD:DMORGAN 2007/03/05 APPR:SMILLER 2007/03/06	DESCRIPTION	QUALITY SYMBOLS	GENERAL TOLERANCES (UNLESS SPECIFIED)	SCALE 2:1	DESIGN UNITS METRIC	THIRD ANGLE PROJECTION	REVISE ON CAD ONLY															
		▽ = 0 ∇ = 0	<table border="1"> <thead> <tr> <th></th> <th>mm</th> <th>INCH</th> </tr> </thead> <tbody> <tr> <td>4 PLACES</td> <td>± .010</td> <td>± .004</td> </tr> <tr> <td>3 PLACES</td> <td>± .015</td> <td>± .006</td> </tr> <tr> <td>2 PLACES</td> <td>± 0.25</td> <td>± .010</td> </tr> <tr> <td>1 PLACE</td> <td>± .025</td> <td>± .010</td> </tr> </tbody> </table>		mm	INCH	4 PLACES	± .010	± .004	3 PLACES	± .015	± .006	2 PLACES	± 0.25	± .010	1 PLACE	± .025	± .010	DIMENSION STYLE IN/MM	TITLE	SALES DRAWING TDP PLUG CABLE KIT BLACK AND NICKEL FINISH	
				mm	INCH																	
			4 PLACES	± .010	± .004																	
3 PLACES	± .015	± .006																				
2 PLACES	± 0.25	± .010																				
1 PLACE	± .025	± .010																				
DRAFT WHERE APPLICABLE	APPROVED BY DATE SMILLER 2006/08/06	CHECKED BY DATE DMORGAN 2006/08/06	DRAWN BY DATE DMORGAN 2006/08/06		MATERIAL NO. SEE CHART																	
MUST REMAIN WITHIN DIMENSIONS	THIS DRAWING CONTAINS INFORMATION THAT IS PROPRIETARY TO MOLEX INCORPORATED AND SHOULD NOT BE USED WITHOUT WRITTEN PERMISSION		DOCUMENT NO. SD-75115-003		SHEET NO. 1 OF 1																	