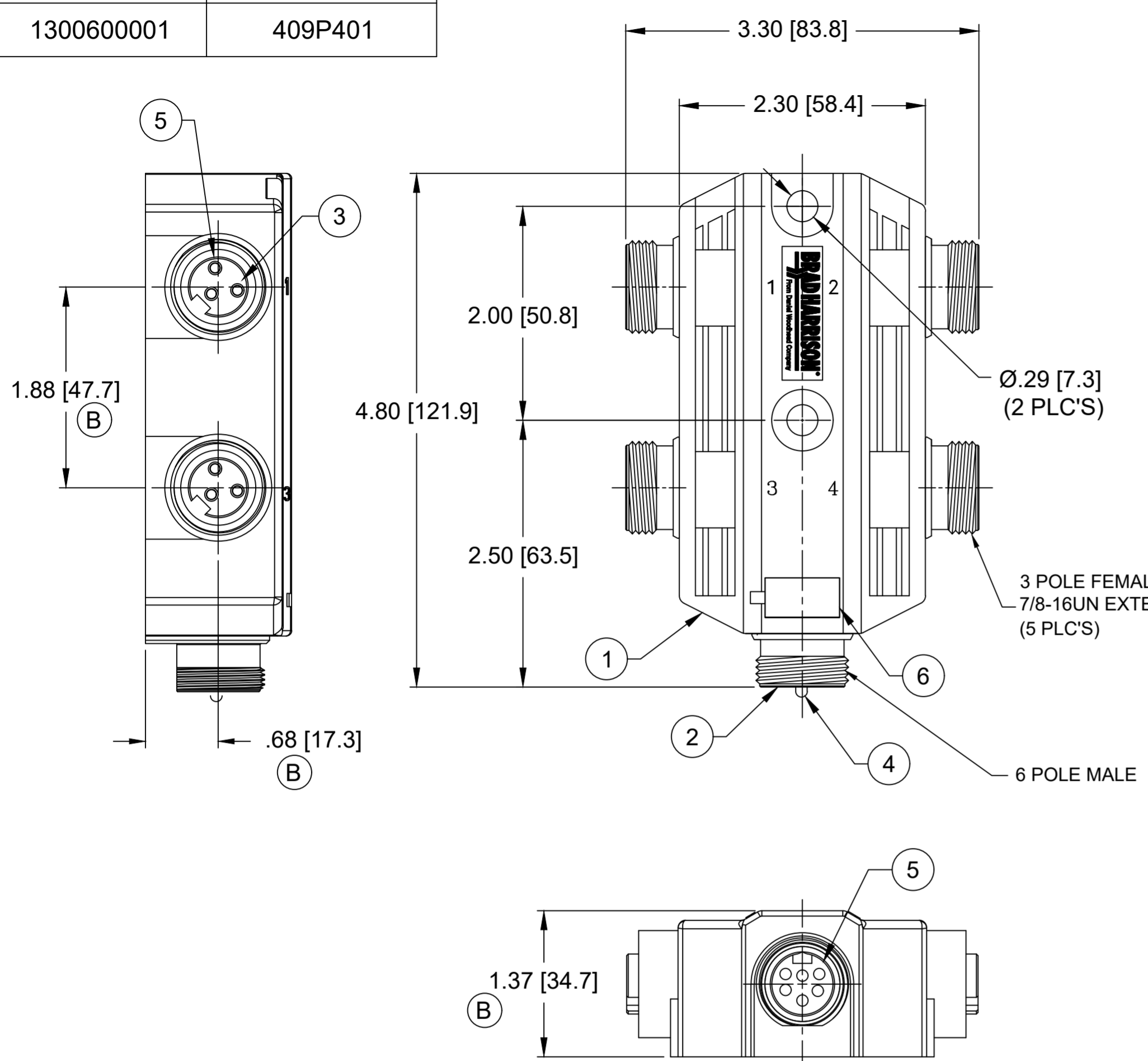
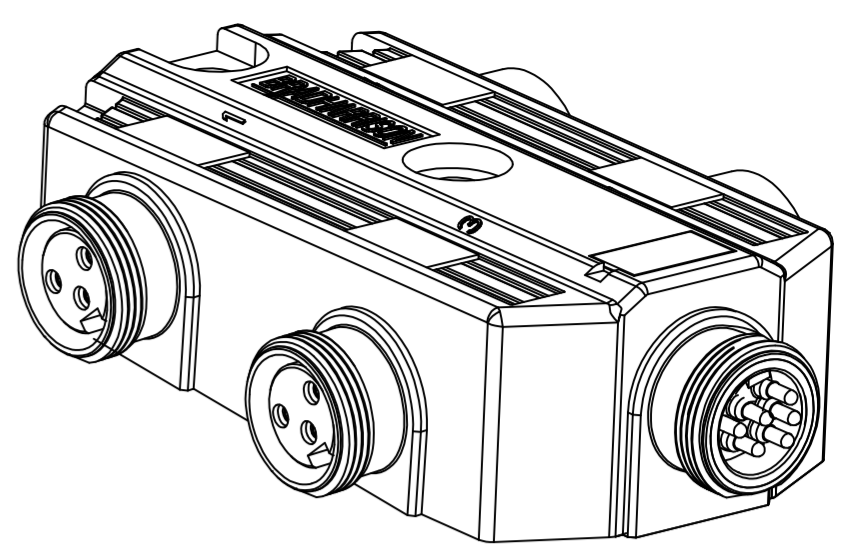
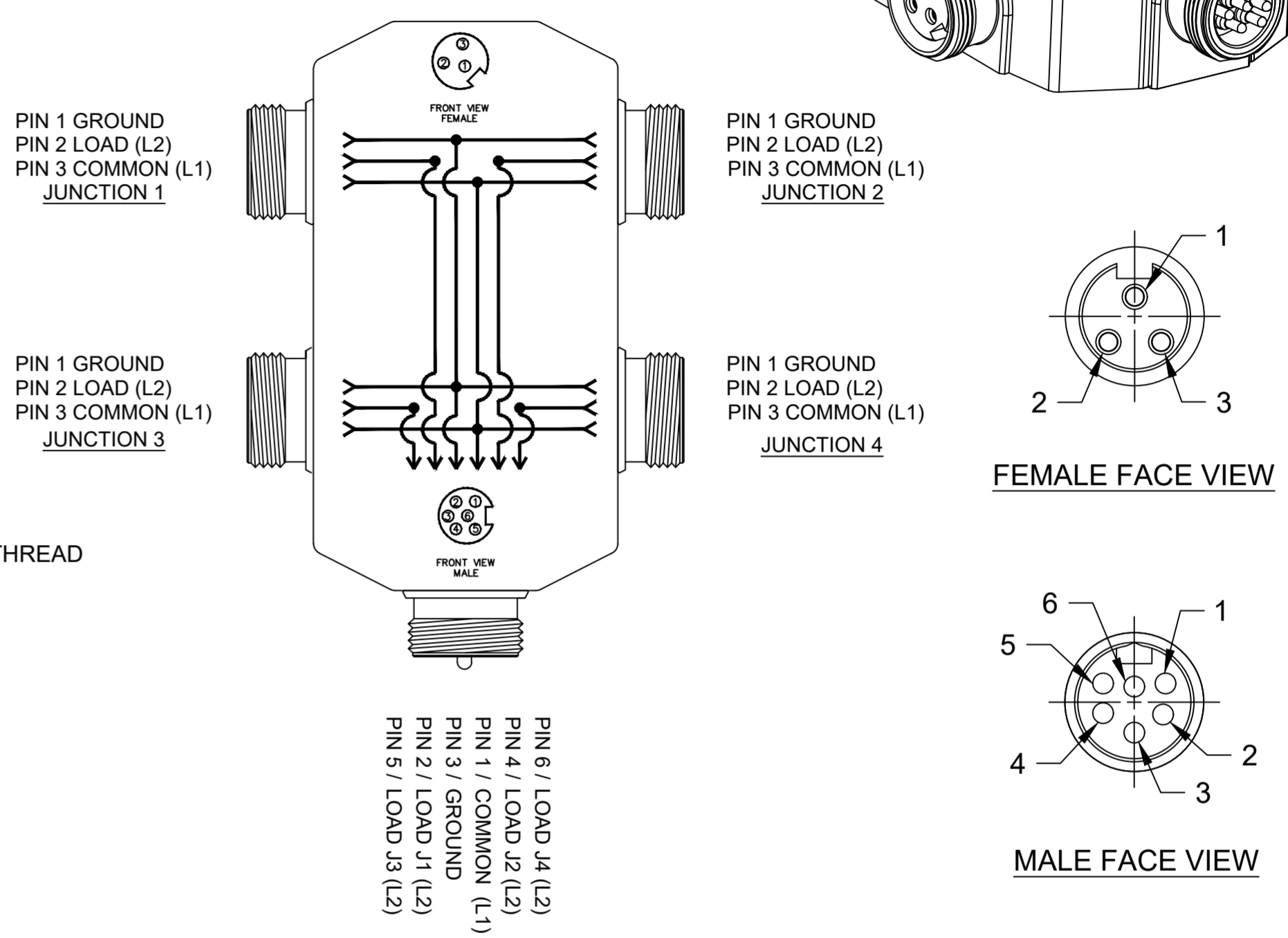


MATERIAL NUMBER	ENGINEERING NUMBER
1300600001	409P401

DIMENSIONAL



SCHEMATIC



NOTES:

- MATERIAL: AS NOTED
- FINISH: AS NOTED
- ELECTRICAL:
VOLTAGE RATING: 600 VAC/VDC
CURRENT: 7A
- TEMP RATING: -20° TO +90°C
- PROTECTION: IP67 (WHEN MATED)
- COUPLING THREAD- AS NOTED
- CSA CERTIFIED FILE: LR6837 (B)
- ALL DIMENSIONS ARE FOR REFERENCE UNLESS TOLERANCED OR NOTED OTHERWISE

6	LABEL	ABS	WHITE
5	INSERT	TPE	YELLOW
4	CONTACT PIN	COPPER ALLOY	GOLD OVER NICKEL
3	CONTACT SOCKET	COPPER ALLOY	GOLD OVER NICKEL
2	RECEPTACLE SHELL	ZINC DIE CAST	BLACK E-COAT
1	HOUSING	PBT	YELLOW
ITEM	COMPONENT	MATERIAL	FINISH

FUNCTIONAL SYMBOLS FA=0 FC=0 FD=0	THIS DRAWING CONTAINS INFORMATION THAT IS PROPRIETARY TO MOLEX ELECTRONIC TECHNOLOGIES, LLC AND SHOULD NOT BE USED WITHOUT WRITTEN PERMISSION		CURRENT REV DESC: ITEM #5 WAS PVC. UPDATED CSA CERTIFICATION. ADDED DIMENSIONS AS INDICATED.	
	DIMENSION UNITS	SCALE	EC NO: 698297	
	INCH/MM	NTS	DRWN: ABENJAMINLW	2021/06/08
	GENERAL TOLERANCES (UNLESS SPECIFIED)		CHK'D: RSTONE	2022/03/16
DIVISIONAL SYMBOLS	4 PLACES	±----	APPR: BWOODMAN	2022/03/26
	3 PLACES	±----	INITIAL REVISION:	
	2 PLACES	±----	DRWN: TWOLDEGE	2010/01/22
	1 PLACE	±----	APPR: JFMURPHY	2010/01/29
0 PLACES	±----	ANGULAR TOL ± ---- °		
DRAFT WHERE APPLICABLE MUST REMAIN WITHIN DIMENSIONS		THIRD ANGLE PROJECTION	DRAWING	SERIES
			C-SIZE	130060
DOCUMENT NUMBER		DOC TYPE/DOC PART		REVISION
SD-130060-003		PSD		001 B
MATERIAL NUMBER		CUSTOMER		SHEET NUMBER
SEE CHART		GENERAL MARKET		1 OF 1