



SPECIFICATION FOR AUTOMOTIVE SPEAKER

TOTAL PAGE

09

www.be-star.com

RoHS

Customer		Model Name	BMS3650L-P2-HT LF
Customer P/N		Product No.	132401
Date	13 Nov. 2012	Issue No.	BS/TES01.006C
Page	Page: 01 of 09	Issue Date	2012.11.13

Approval:

- 1.Characteristics
- 2.Speaker curve
- 3.Dimension
- 4.Bill of Material
- 5.Reliability Test
- 6.Packing
- 7.History change record

Drawn by	Checked by	Approved by	Customer approved

BESTAR ACOUSTICS CO.,LTD

No.199 HuangHe West Road,New district,ChangZhou,JiangSu Province,P.R.China

Tel: +86 519 88222567

Fax: +86 519 88222551

E-mail:wu@be-star.com

<http://www.be-star.com>

BMS3650L-P2-HT LF



1. Characteristic

1.1 Electrical and Mechanical Characteristics

1	Rated input	1W
2	Maximum input	1.5W
3	Resonance Frequency	540± 150Hz
4	Frequency Response	350...6000Hz
5	Impedance(at 1500Hz)	50ohm± 15%
6	Output SPL	min80dB (Square wave 50%duty,1 0Vp-p, 1KHz,0.5m)
7	Buzzes & Rattles	must be normal at sine wave 7.07V
8	Magnet	Nd-Fe-B
9	Diaphragm	PEI Film
10	Operation temperature	-40° C...+85° C
11	Storage temperature	-40° C...+85° C

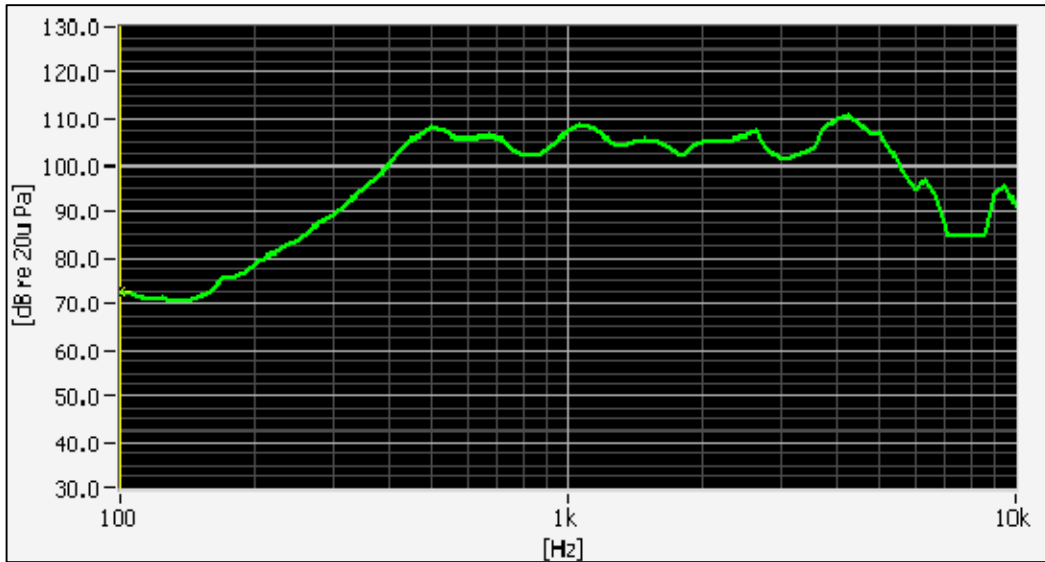
This print and information there in are propriety to Bestar Electronics Industry Co., Ltd. and shall not be used in whole or in part without its written content

				Date:	2012.11.13	BMS3650L-P2-HT LF	
C	2012.11.13	莫丽丽		Drawn by:	莫丽丽		
A	02/04/27	王善梅		Checked by:	王平	Speaker	
Rev.	Date	Drawn	Note	Approved by:	张秀琴		
BESTAR ACOUSTICS CO.,LTD						DRG NO: BS/TES01.006C	Page:02 of 09
www.be-star.com wu@be-star.com							

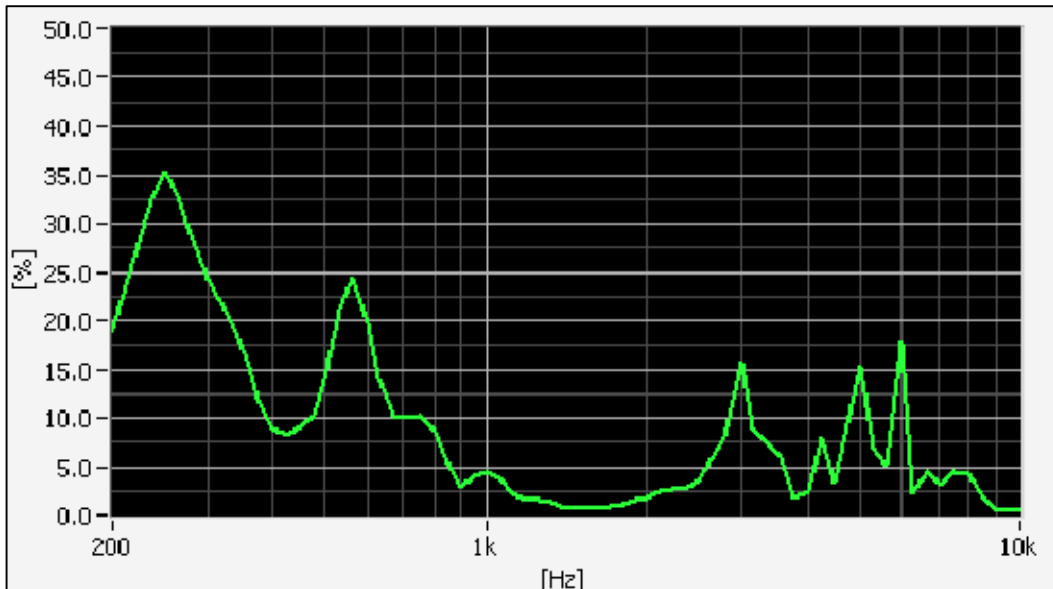
BMS3650L-P2-HT LF

2. Speaker curve: using sine wave 0.5w, 0.1m test

2.1 Fundamental (only for reference)



2.2 THD (only for reference)

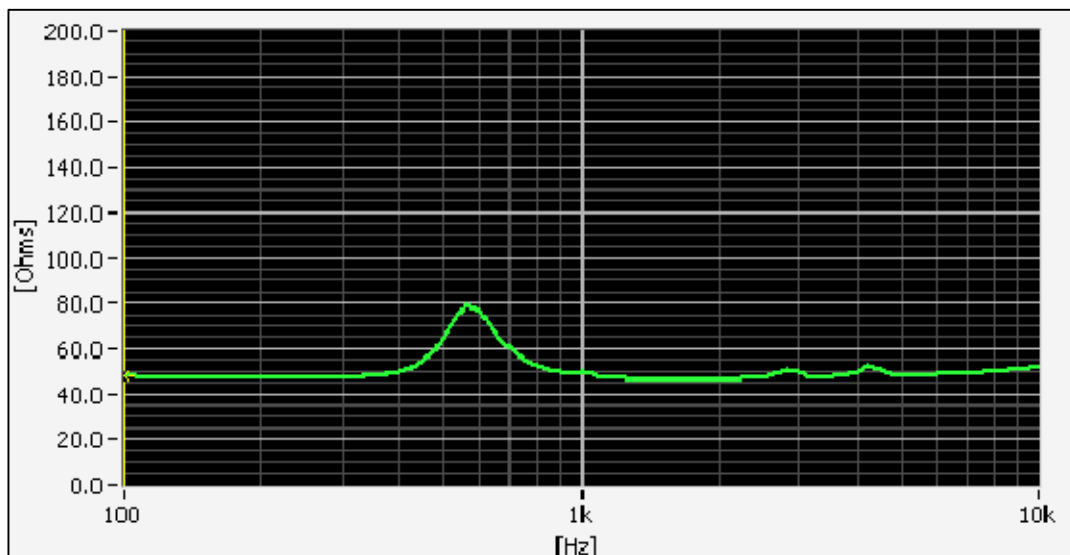


This print and information there in are proprietary to Bestar Electronics Industry Co., Ltd. and shall not be used in whole or in part without its written content

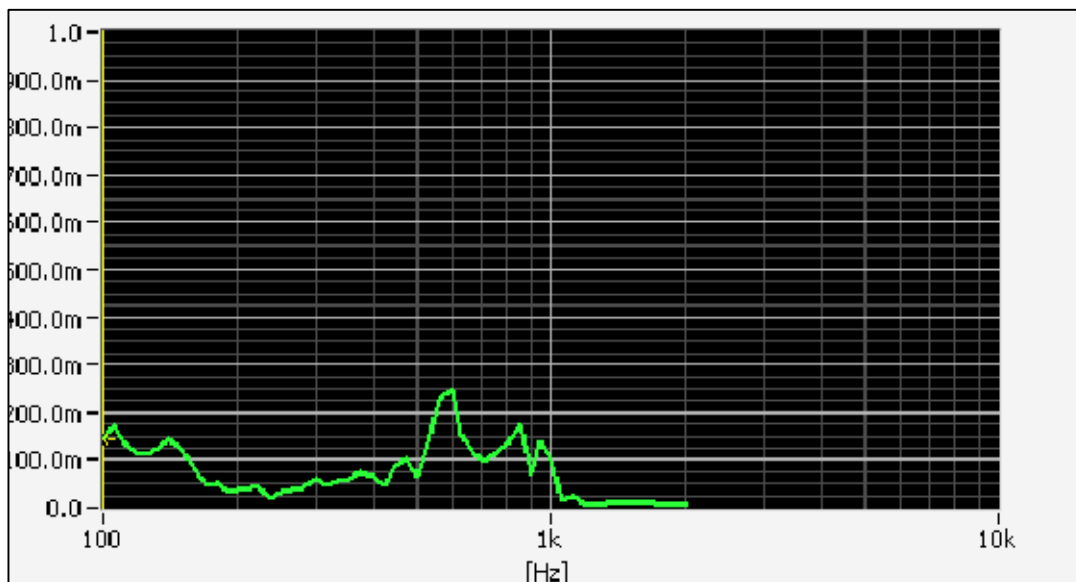
				Date:	2012.11.13	BMS3650L-P2-HT LF	
C	2012.11.13	莫丽丽		Drawn by:	莫丽丽		
A	02/04/27	王善梅		Checked by:	王平	Speaker	
REV.	Date	Drawn	Note	Approved by:	张秀琴		
BESTAR ACOUSTICS CO.,LTD						DRG NO: BS/TES01.006C	Page:03 of 09
www.be-star.com wu@be-star.com							

BMS3650L-P2-HT LF

2.3 Impedance(only for reference)



2.4 Rub&buzz(only for reference)

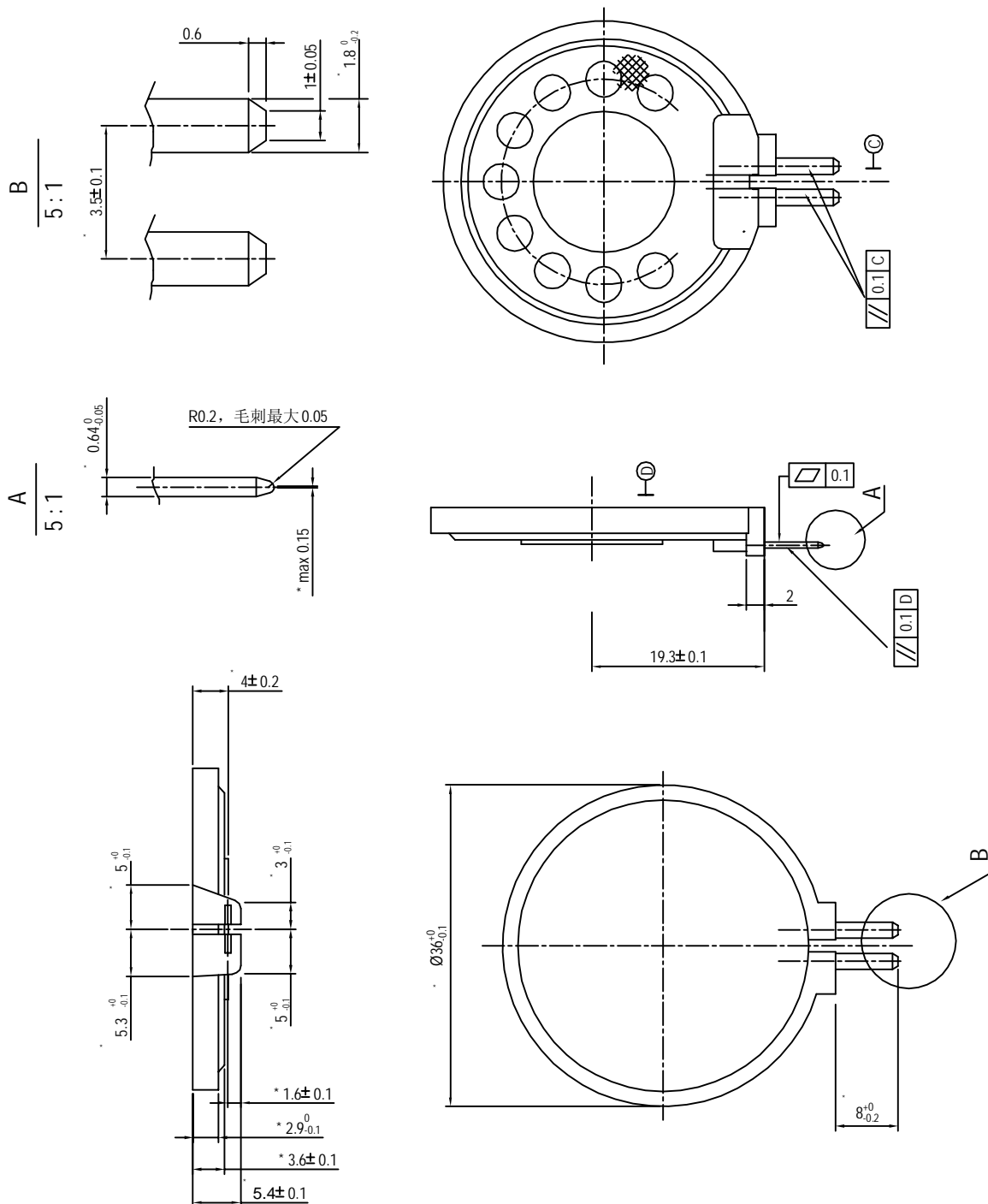


This print and information there in are proprietary to Bestar Electronics Industry Co., Ltd. and shall not be used in whole or in part without its written content

				Date:	2012.11.13	BMS3650L-P2-HT LF	
C	2012.11.13	莫丽丽		Drawn by:	莫丽丽		
A	02/04/27	王善梅		Checked by:	王平	Speaker	
REV.	Date	Drawn	Note	Approved by:	张秀琴		
BESTAR ACOUSTICS CO.,LTD						DRG NO: BS/TES01.006C	Page:04 of 09
www.be-star.com wu@be-star.com							

BMS3650L-P2-HT LF

3.Dimension

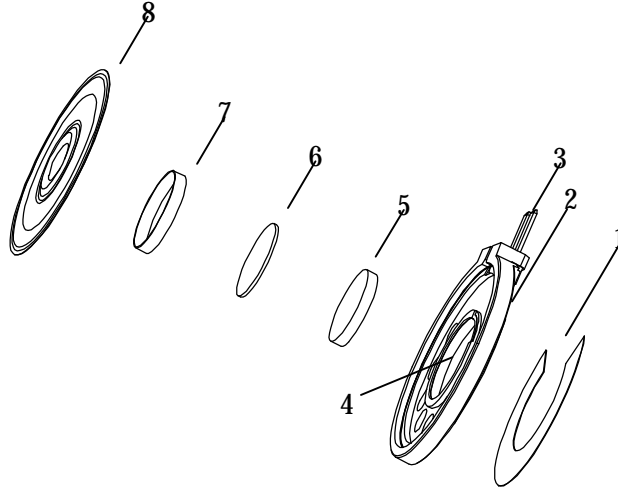


This print and information there in are proprietary to Bestar Electronics Industry Co., Ltd. and shall not be used in whole or in part without its written content

				Date:	2012.11.13	BMS3650L-P2-HT LF
C	2012.11.13	莫丽丽		Drawn by:	莫丽丽	
A	02/04/27	王善梅		Checked by:	王平	Speaker
Rev.	Date	Drawn	Note	Approved by:	张秀琴	
BESTAR ACOUSTICS CO.,LTD						DRG NO: BS/TES01.006C
www.be-star.com wu@be-star.com						Page:05 of 09

BMS3650L-P2-HT LF

4. Bill of Material



8	Diaphragm	PEI
7	Voice Coil	φ0.05 wire, Annealed Copper Alloy
6	Piece	SPCC
5	Magnet	NdFeB
4	Magnet bowl	SPCC
3	Pin	BrassY68
2	Frame	PBT
1	Mesh	SILK
No	Parts Name	Material

				Date:	2012.11.13	BMS3650L-P2-HT LF
C	2012.11.13	莫丽丽		Drawn by:	莫丽丽	
A	02/04/27	王善梅		Checked by:	王平	Speaker
Rev.	Date	Drawn	Note	Approved by:	张秀琴	
BESTAR ACOUSTICS CO.,LTD						DRG NO: BS/TES01.006C
www.be-star.com wu@be-star.com						Page:06 of 09

This print and information there in are proprietary to Bestar Electronics Industry Co., Ltd. and shall not be used in whole or in part without its written content

BMS3650L-P2-HT LF

5. Reliability test

5.1 Load test 1W, sine wave 540Hz, 96hrs

5.2 Heat Test
 Temperature +85° C ± 2
 Duration 96hrs

5.3 Cold Test
 Temperature -40° C ± 2
 Duration 96hrs

5.4 Moisture Test
 Temperature +85° C ± 2
 Humidity 85%RH
 Duration 56days
 Recovery conditions: Climatic condition standard atmospheric
 Ventilation time 1 h

5.5 Temperature shock
 Low temperature -40° C
 Upper temperature +85° C
 Dwell time each temperature 30min.
 Transfer time from lower to upper temperature < 10s
 Number of cycles 100

5.6 Vibration Test
 Range of frequency 1 10 to 55Hz
 Amplitude +/-0.75mm
 Range of frequency 2 55 to 2000Hz
 Amplitude 10g
 Frequency sweep 1 oct/min
 Duration 2h each of 3 axis

5.7 Drop test
 Drop the speaker contained in normal box on to the board 20mm thick 10 times from the height of 1.2m

After each test of 5.2 to 5.3, speakers should be measured after 6hrs exposed in normal temperature.

After each test, performance should be satisfied with spec.

This print and information there in are proprietary to Bester Electronics Industry Co., Ltd. and shall not be used in whole or in part without its written content

				Date:	2012.11.13	BMS3650L-P2-HT LF	
C	2012.11.13	莫丽丽		Drawn by:	莫丽丽		
A	02/04/27	王善梅		Checked by:	王平	Speaker	
Rev.	Date	Drawn	Note	Approved by:	张秀琴		
BESTAR ACOUSTICS CO.,LTD						DRG NO: BS/TES01.006C	Page:07 of 09
www.be-star.com wu@be-star.com							

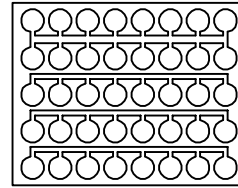
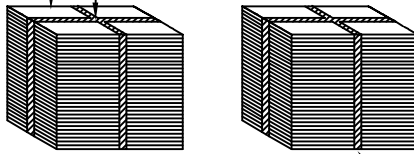
BMS3650L-P2-HT LF

6. Packing

6.1 Packing Drawing

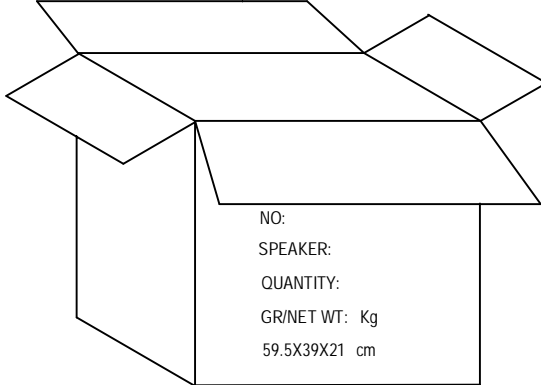
Cardboard
(370 × 287.5)

adhesive tape



40pcs

15 trays per bundle
40 pcs per tray
40 × 15 = 600pcs per bundle



NO:
SPEAKER:
QUANTITY:
GR/NET WT: Kg
59.5X39X21 cm

Remark:

40 pcs per tray

15 pcs trays per bundle

2 bundles per carton

1200 pcs per carton

Size: 59.5X39X21 (cm)

This print and information there in are proprietary to Bestar Electronics Industry Co., Ltd. and shall not be used in whole or in part without its written content

				Date:	2012.11.13	BMS3650L-P2-HT LF	
C	2012.11.13	莫丽丽		Drawn by:	莫丽丽		
A	02/04/27	王善梅		Checked by:	王平	Speaker	
Rev.	Date	Drawn	Note	Approved by:	张秀琴		
BESTAR ACOUSTICS CO.,LTD						DRG NO: BS/TES01.006C	Page:08 of 09
www.be-star.com wu@be-star.com							

BMS3650L-P2-HT LF

7. History change record

version No.	Change Items		Date	Drawn	Approved
	Before	After			
A			02/04/27	王善梅	郭敏
B		updated the frame dimension	2012.08.29	莫丽丽	张秀琴
C	2.9±0.1	2.9 ⁰ _{-0.1}	2012.11.13	莫丽丽	张秀琴

This print and information there in are proprietary to Bestar Electronics Industry Co., Ltd and shall not be used in whole or in part without its written content

				Date:	2012.11.13	BMS3650L-P2-HT LF
C	2012.11.13	莫丽丽		Drawn by:	莫丽丽	
A	02/04/27	王善梅		Checked by:	王平	Speaker
Rev.	Date	Drawn	Note	Approved by:	张秀琴	
BESTAR ACOUSTICS CO.,LTD						DRG NO: BS/TES01.006C
www.be-star.com wu@be-star.com						Page:09 of 09