

11938MB (4715MS)

119[□]X38^L

AC Axial Fan

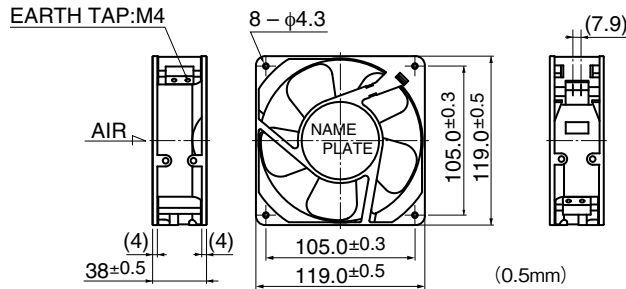


General Specifications

Motor Structure	Shaded Pole Induction Motor
Motor Protection	Impedance Protection
Insulation Resistance	Min 100M Ω by DC 500V Megger
Dielectric Withstand Voltage	AC1800V 3s
Allowable Ambient Temperature Range	- 10°C ~ + 70°C (Operating) - 40°C ~ + 70°C (Storage) non-condensing environment

Expected Life ※ **Failure Rate: 10% (L10 Life)**
25°C 100,000 (Hours)

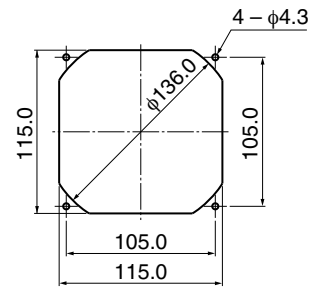
Outline



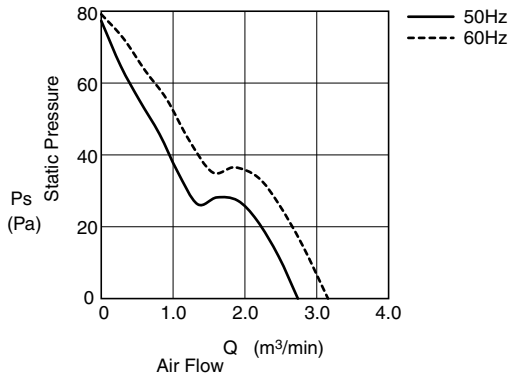
* Only flange type casing is available.

Panel Out-cuts

(Inlet Side) / (Outlet Side)



Characteristic Curves



Material

Casing	: Aluminum (Black
Impeller	Painting) : Plastic (Black)
Bearing	UL94V-0 : Ball Bearing
Terminal	: Faston #110 or Equiv

Lead Wire type is also available.
Lead Wire : UL3266, AWG22

Specifications

Model	Product No.	Rating Voltage	Frequency	Starting Voltage	Current	Input Power	Speed	Max. Air Flow		Max. Static Pressure		Noise	Mass
		(V)	(Hz)	(V)	(A) ^{*2}	(W) ^{+10% -20%}	(min ⁻¹) ^{*3}	(m ³ /min) ^{*3}	(CFM) ^{*3}	(Pa) ^{*3}	(In H ₂ O) ^{*3}	(dB) ^{*1}	(g)
11938MB-A0N-EA-	00	100	50	65	0.270	15.0	2600	2.50	89.3	64.7	0.26	37.0	550
			60		0.230	14.0	2900	2.90	103.6	76.4	0.31	41.0	
11938MB-A1N-EA-	00	115	50	65	0.250	15.5	2600	2.50	89.3	64.7	0.26	37.0	
			60		0.210	14.5	2900	2.90	103.6	76.4	0.31	41.0	
11938MB-B0N-EA-	00	200	50	130	0.140	15.0	2600	2.50	89.3	64.7	0.26	37.0	
			60		0.120	13.0	2900	2.90	103.6	76.5	0.31	41.0	
11938MB-B2N-EA-	00	220	50	145	0.120	14.0	2600	2.50	89.3	63.8	0.26	37.0	
			60		0.100	13.0	2900	2.90	103.6	75.6	0.30	41.0	
11938MB-B3N-EA-	00	230	50	175	0.120	15.0	2600	2.50	89.3	63.8	0.26	37.0	
			60		0.100	14.0	2900	2.90	103.6	70.7	0.28	41.0	
11938MB-B4N-EA-	00	240	50	140	0.110	14.0	2600	2.50	89.3	63.8	0.26	37.0	
			60		0.100	13.0	2900	2.90	103.6	65.7	0.26	41.0	

Rotation: Counterclockwise as seen from the label side
Airflow Outlet: Label side

*1: Average Values in Free Air
*2: Maximum Values in Free Air
*3: Minimum Values in Free Air

11938MB (Special Edition)

119[□]X38^L

AC Axial Fan



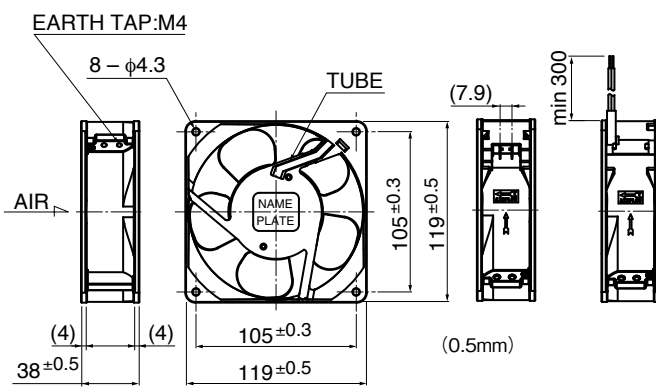
General Specifications

- Motor Structure : Shaded Pole Induction Motor
- Motor Protection : Impedance Protection
- Insulation Resistance : Min 100MΩ by DC 500V Megger
- Dielectric Withstand Voltage : AC1800V 3s
- Allowable Ambient : - 10°C ~ + 70°C (Operating)
- Temperature Range : - 40°C ~ + 70°C (Storage)
non-condensing environment

Expected Life ※ Failure Rate: 10% (L10 Life)
25°C 100,000 (Hours)

Outline

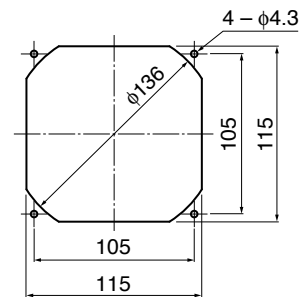
Reference Spec



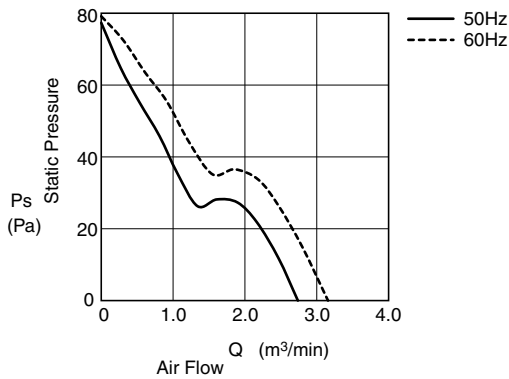
- * Only flange type casing is available.
- * The structure tubing can be seen from name plate side.

Panel Out-cuts

(Inlet Side) / (Outlet Side)



Characteristic Curves



Material

- Casing : Aluminum (No Paint)
- Impeller : Plastic (Black) UL94V-0
- Bearing : Ball Bearing
- Terminal : Faston#110 or Equiv

Lead Wire type is also available.
Lead Wire : UL3266, AWG22

Specifications

Model	Product No.	Rating Voltage	Frequency	Starting Voltage	Current	Input Power	Speed	Max. Air Flow		Max. Static Pressure		Noise	Mass
		(V)	(Hz)	(V)	(A)*2	(W) ^{+10% -20%}	(min ⁻¹)*3	(m ³ /min)*3	(CFM)*3	(Pa)*3	(In H ₂ O)*3	(dB)*1	(g)
11938MB-A0N-EA-	L0	100	50	65	0.270	15.0	2600	2.50	89.3	64.7	0.26	37.0	550
			60		0.230	14.0	2900	2.90	103.6	76.4	0.31	41.0	
11938MB-A1N-EA-	L0	115	50	65	0.250	15.5	2600	2.50	89.3	64.7	0.26	37.0	
			60		0.210	14.5	2900	2.90	103.6	76.4	0.31	41.0	
11938MB-B0N-EA-	L0	200	50	130	0.140	15.0	2600	2.50	89.3	64.7	0.26	37.0	
			60		0.120	13.0	2900	2.90	103.6	76.5	0.31	41.0	
11938MB-B2N-EA-	L0	220	50	145	0.120	14.0	2600	2.50	89.3	63.8	0.26	37.0	
			60		0.100	13.0	2900	2.90	103.6	75.6	0.30	41.0	
11938MB-B3N-EA-	L0	230	50	175	0.120	15.0	2600	2.50	89.3	63.8	0.26	37.0	
			60		0.100	14.0	2900	2.90	103.6	70.7	0.28	41.0	
11938MB-B4N-EA-	L0	240	50	140	0.110	14.0	2600	2.50	89.3	63.8	0.26	37.0	
			60		0.100	13.0	2900	2.90	103.6	65.7	0.26	41.0	

Rotation: Counterclockwise as seen from the label side
Airflow Outlet: Label side

*1: Average Values in Free Air
*2: Maximum Values in Free Air
*3: Minimum Values in Free Air

This information is reference spec, so final spec may change.