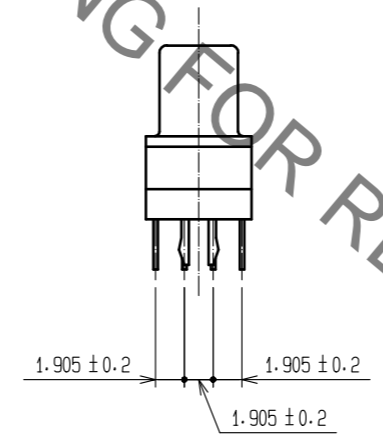
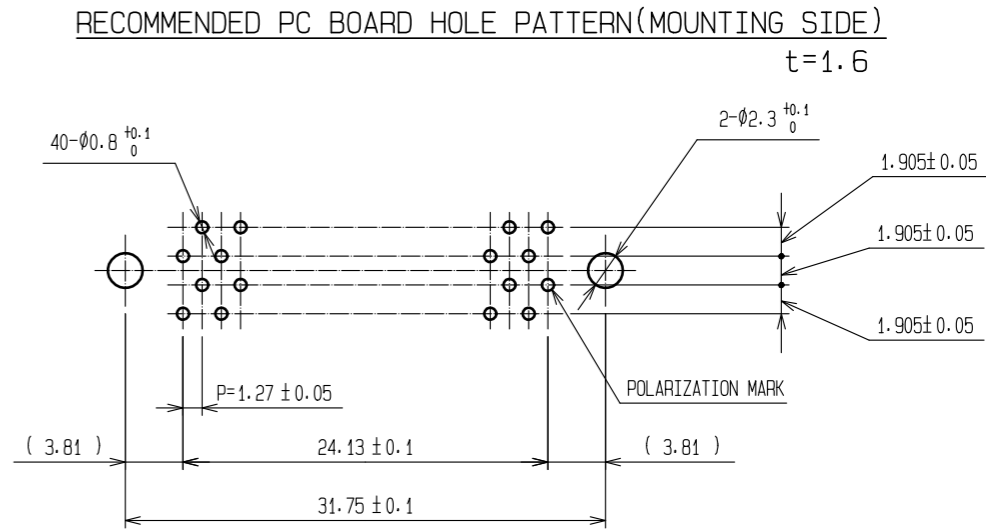
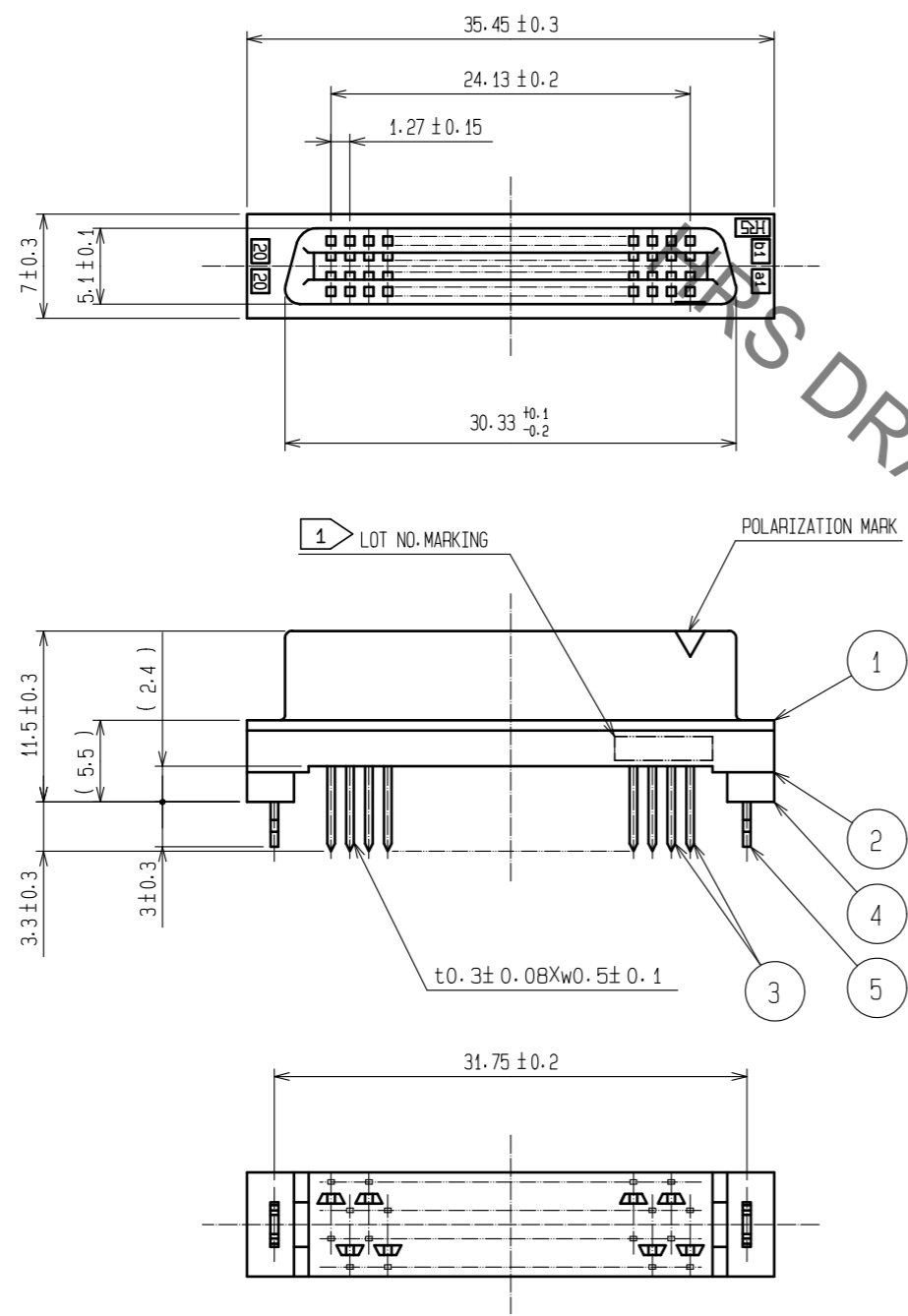


May.1.2023 Copyright 2023 HIROSE ELECTRIC CO., LTD. All Rights Reserved.
In case of consideration for using Automotive equipment / device which demand high reliability, kindly contact our sales window correspondents.



NOTES 1 LOT NO. MARKING SIDE SHALL BE OPTIONAL.
2. THE DIMENSIONS IN PARENTHESES ARE FOR REFERENCE.

5	PHOSPHOR BRONZE	TIN-PLATING	3	PHOSPHOR BRONZE	CONTACT AREA : GOLD 0.2µm min.		
4	POLYAMIDE	BLACK			DIP AREA : TIN-PLATING 2µm min.		
1,2	POLYAMIDE	BLACK			UNDER PLATING : NICKEL 2µm min.		
NO.	MATERIAL	FINISH . REMARKS	NO.	MATERIAL	FINISH . REMARKS		
UNITS mm		SCALE 2 : 1	COUNT 	DESCRIPTION OF REVISIONS DIS-F-00015312	DESIGNED YU. NAKADA	CHECKED HT. YAMAGUCHI	DATE 20220913
HRS HIROSE ELECTRIC CO., LTD.		APPROVED : HS. OKAWA	20070619	DRAWING NO.	EDC-083221-71-21		
		CHECED : HS. OZAWA	20070619	PART NO.	FX2C2-40S-1.27DSAL(71)		
		DESIGNED : SY. KAMIGA	20070619	CODE NO.	CL0572-2473-8-71		
		DRAWN : HK. SUNADORI	20070619				