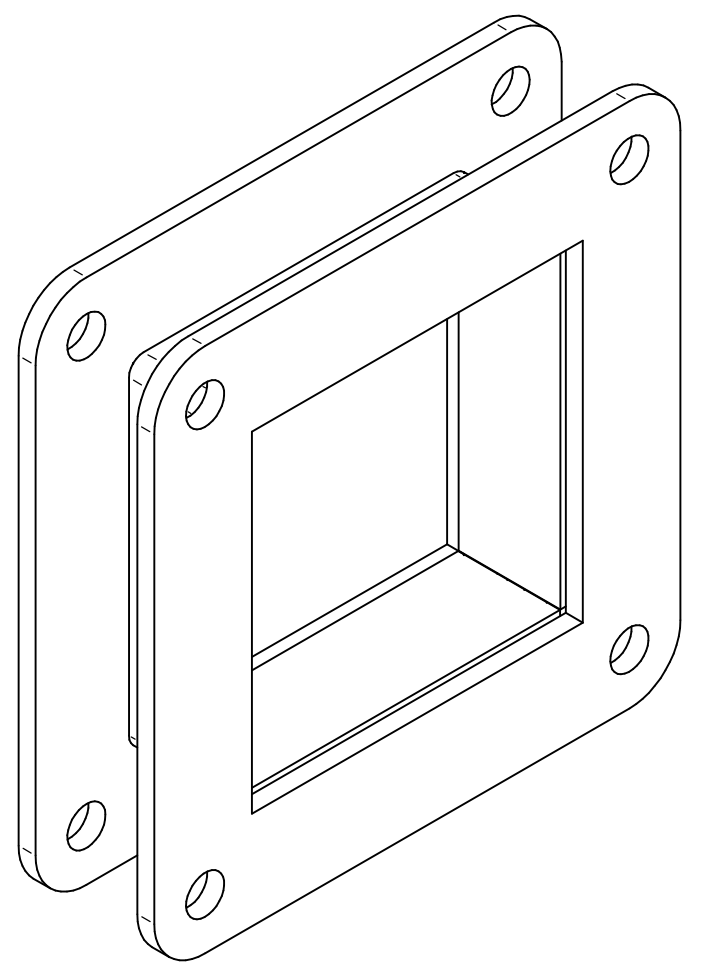
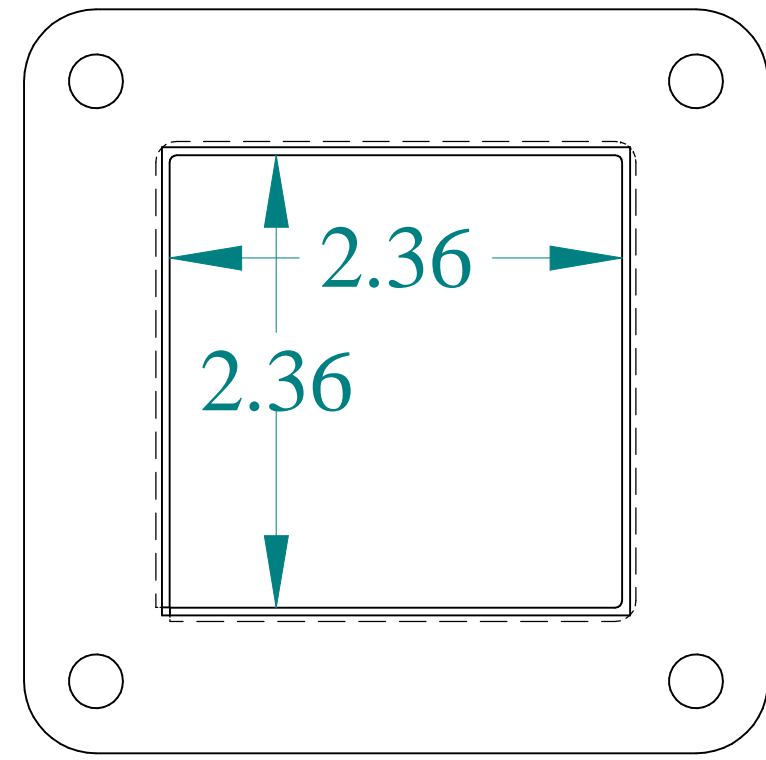


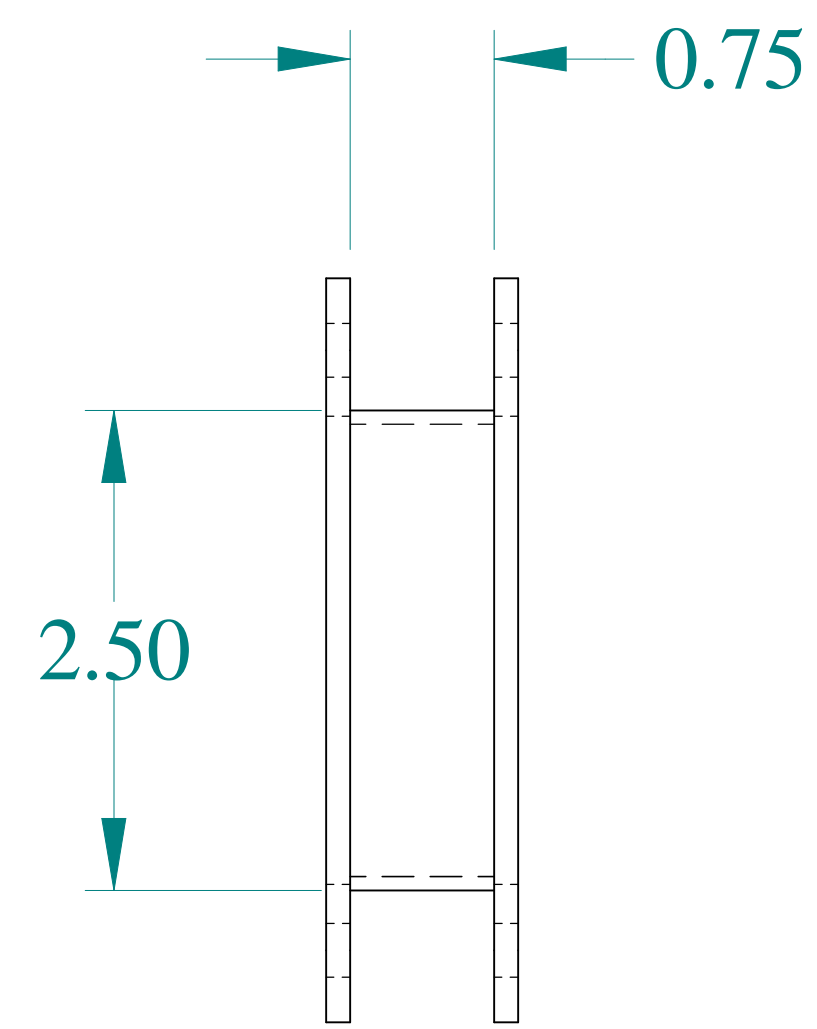
TOP VIEW



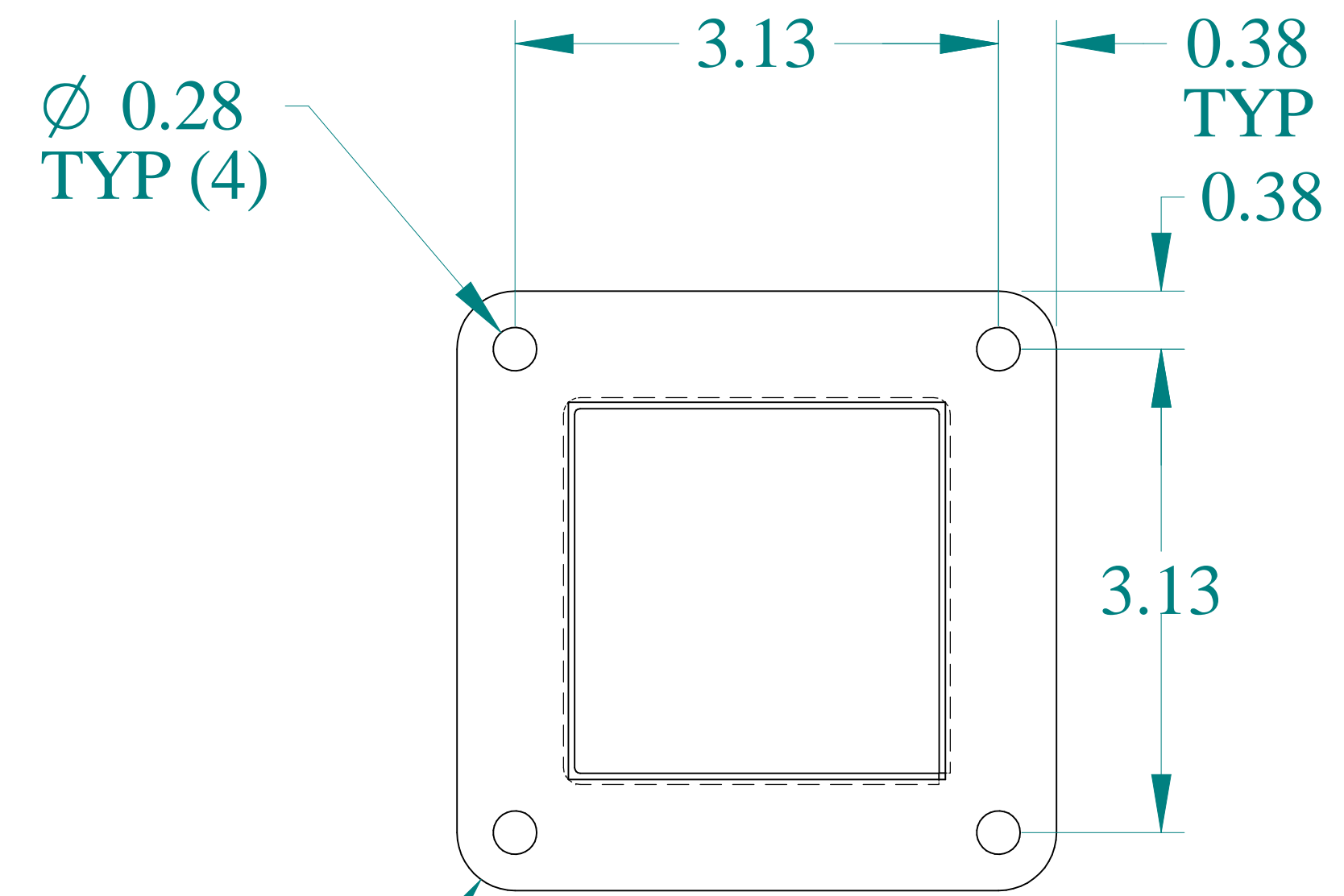
ISOMETRIC VIEWS



SIDE VIEW

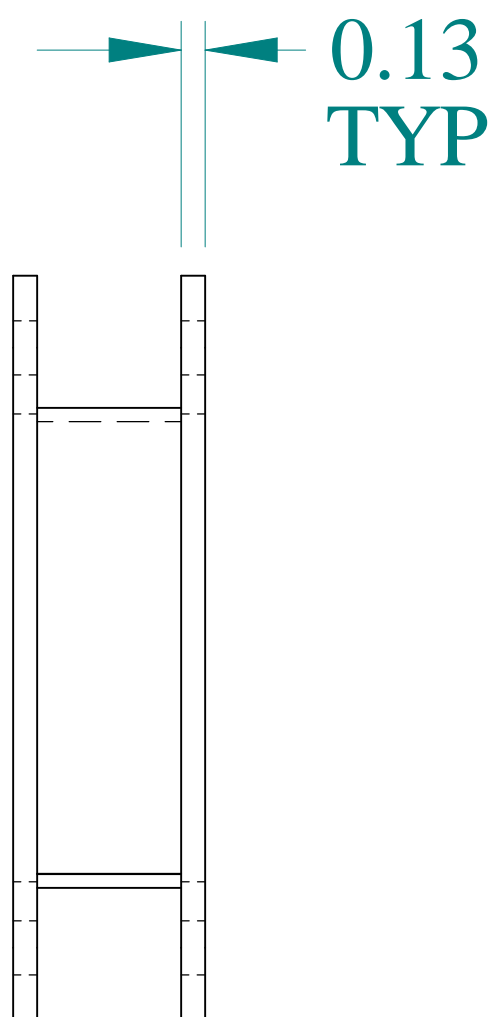
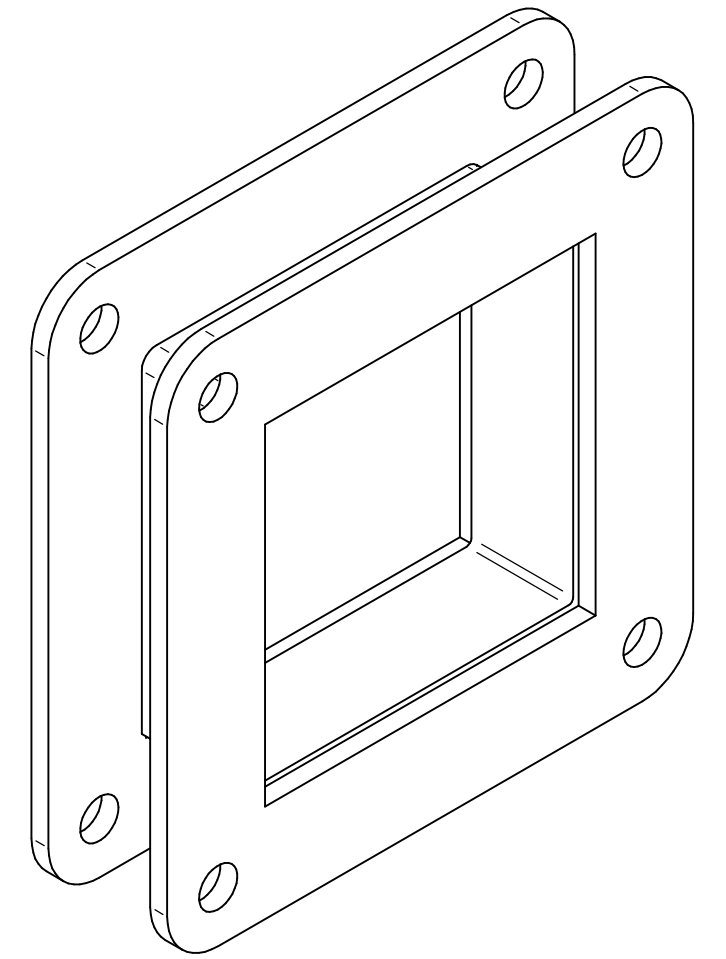


FRONT VIEW



R 0.38
TYP

SIDE VIEW



BOTTOM VIEW



Data subject to change without notice.

Part #: 1487BM1

Date: Mar. 13, 2023

Link: www.hamfg.com/1487BM1