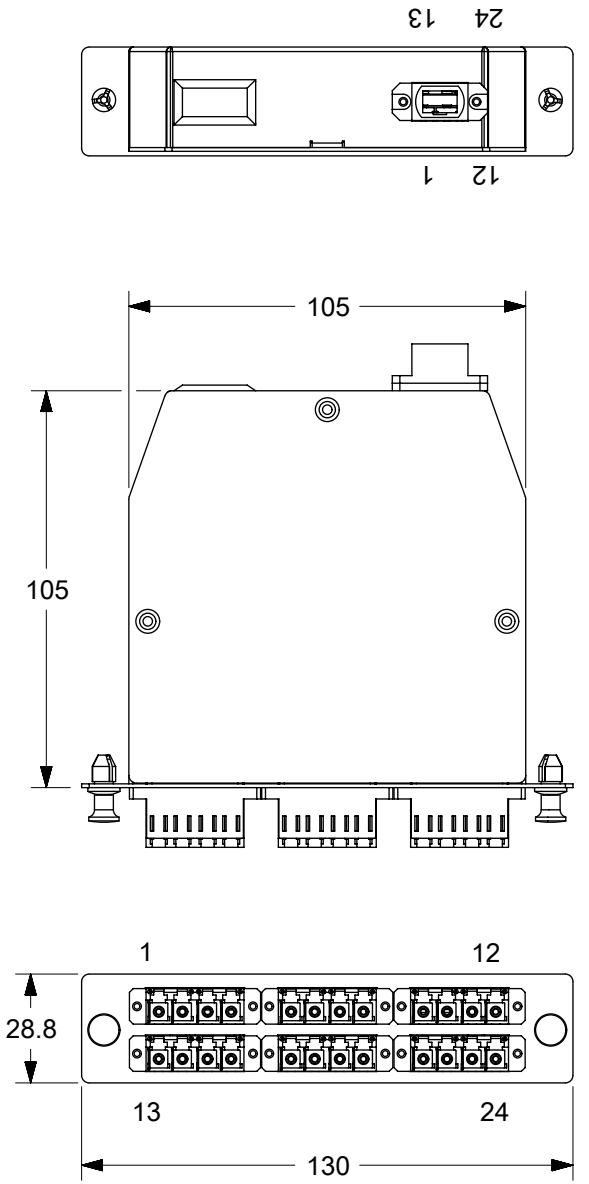
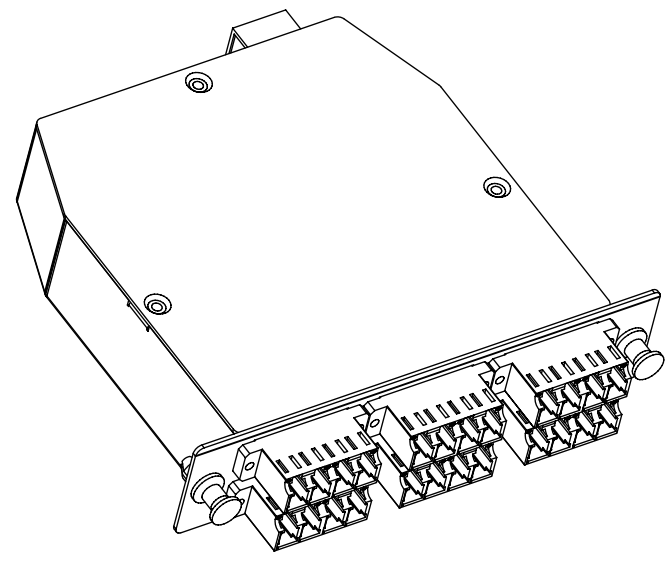


P/N	Fiber Type	Adapter color	Fan-out Type	
			MPO Conn.	LC Conn.
1064810121	SM/G657A	Blue	Male/APC	PC
1064810123	MM-OM3	Aqua	Male/PC	
1064810125	MM-OM4			



1. Product Optical Specification

Item	Parameters	Note	Min.	Typ.	Max.	Unit
1	Operating Wavelength ¹	Single-Mode	1310 / 1550		nm	
		Multi-Mode	850		nm	
2	Insertion Loss ^{1,2} (MPO side)	Single-Mode Elite			0.35	dB
		Multi-Mode Elite			0.35	
3	Insertion Loss ^{1,2} (Fan-out side)	Single-Mode PC			0.20	dB
		Multi-Mode PC			0.30	
4	Return Loss ^{1,2} (MPO side)	Single-Mode	60			dB
		Multi-Mode	N/A			
5	Return Loss ^{1,2} (Fan-out side)	Single-Mode PC	50			dB
		Multi-Mode PC	N/A			
6	Operating Temperature	---	-20		70	°C

Note:

1. Single-mode loss test to be performed at 1310nm and 1550nm. Multimode loss test to be performed at 850nm. IL and RL must be tested at room temperature. (Multimode RL testing is not required.)
2. Consistent optical performance for multimode (flat protruded polish) and single-mode (Angled protruded polish).

2. Product Channel Identification Table

BACK #1 MPO (1-24)	TOP ROW PANEL	BACK MPO (13-24) PORT	P13	P14	P15	P16	P17	P18	P19	P20	P21	P22	P23	P24
		FRONT LC PORT	P1	P2	P3	P4	P5	P6	P7	P8	P9	P10	P11	P12
		FIBER COLOR	BL	OR	GR	BR	SL	WH	RD	BK	YL	VI	RO	AQ
	BOTTOM ROW PANEL	BACK MPO (1-12) PORT	P1	P2	P3	P4	P5	P6	P7	P8	P9	P10	P11	P12
		FRONT LC PORT	P13	P14	P15	P16	P17	P18	P19	P20	P21	P22	P23	P24
		FIBER COLOR	BL	OR	GR	BR	SL	WH	RD	BK	YL	VI	RO	AQ

PENDING APPROVAL

NOTES:

1. MATERIAL: SPCC.
2. FINISH: POWDER COATING.
3. COLOR: BLACK.
4. DIMENSION: 130x105x28.8mm.
5. WEIGHT: 295gm.
6. DUST CAPS ARE NOT SHOWN IN DRAWING.

SYMBOLS	THIS DRAWING CONTAINS INFORMATION THAT IS PROPRIETARY TO MOLEX ELECTRONIC TECHNOLOGIES, LLC AND SHOULD NOT BE USED WITHOUT WRITTEN PERMISSION		CURRENT REV DESC:		molex
	DIMENSION UNITS	SCALE	EC NO: 178536 DRWN: IGUMIN 2018/06/29 CHK'D: APPR:		
▽ = 0	mm	1:2	INITIAL REVISION:		PRODUCT CUSTOMER DRAWING
▽ = 0	GENERAL TOLERANCES (UNLESS SPECIFIED)		DRWN: IGUMIN 2018/06/29 CHK'D: APPR:		
▽ = 0	ANGULAR TOL ± °		INITIAL REVISION:		DOCUMENT NUMBER
▽ = 0	4 PLACES ±		DRWN: IGUMIN 2018/06/29 CHK'D: APPR:		
▽ = 0	3 PLACES ±		INITIAL REVISION:		DOC TYPE
▽ = 0	2 PLACES ±		DRWN: IGUMIN 2018/06/29 CHK'D: APPR:		
▽ = 0	1 PLACE ±		INITIAL REVISION:		DOC PART
▽ = 0	0 PLACES ±		DRWN: IGUMIN 2018/06/29 CHK'D: APPR:		
▽ = 0	DRAFT WHERE APPLICABLE MUST REMAIN WITHIN DIMENSIONS		THIRD ANGLE PROJECTION	DRAWING	REVISION
▽ = 0			B-SIZE	SERIES	106481
DOCUMENT STATUS			RELEASE DATE	MATERIAL NUMBER	CUSTOMER
RQ			SEE TABLE	1064810121	PSD 001 A
				1064810121	1 OF 1