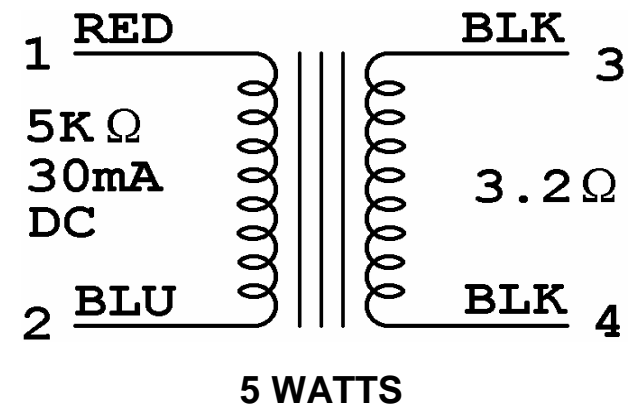
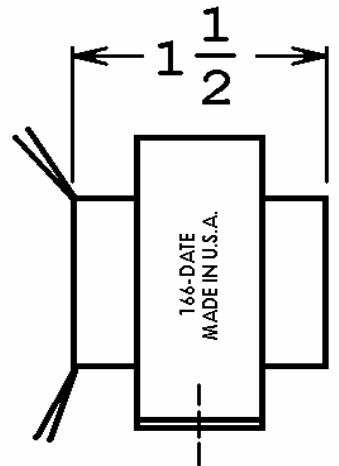
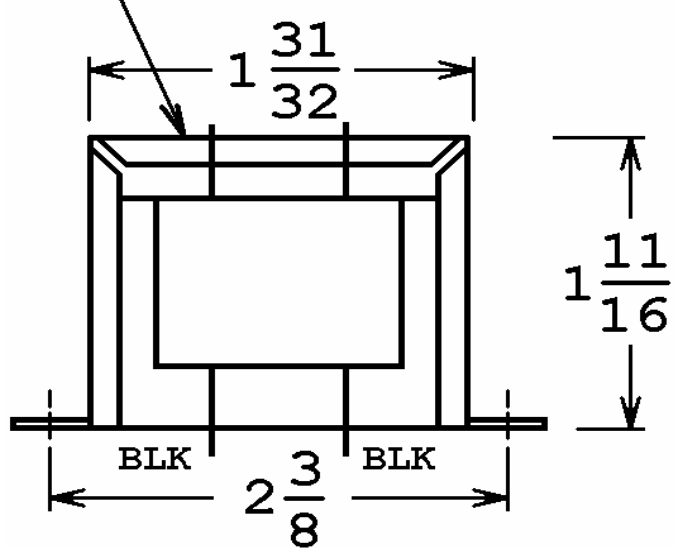


This drawing is the property of Magnetic Components, Inc. and shall not be reproduced, in whole or in part, without the written permission of Magnetic Components, Inc.

REVISIONS			
LTR	DESCRIPTION	DATE	APPROVED

Classic Tone™
By Magnetic Components, Inc.
40-18052



DRAWING No. :
OOA-85337
DIV :
LOC : SCHILLER PK

UNLESS OTHERWISE SPECIFIED		SIGNATURES		DATE		MAGNETIC COMPONENTS, INC.		TITLE	
ALL DIMENSIONS IN INCHES DO NOT SCALE DRAWING		DRAWN : <i>msf</i>		13 JAN 11		OUTPUT		REV	
FRACTIONS +/-		CHECK :						PART No.	
.X = +/-		APPR : <i>mslocketa</i>		13 JAN 11		CAGE	50508	SIZE	A
.XX = +/-						SCALE	NONE	40-18052	
.XXX = +/-								SHEET :	
ANGLES = +/-									

VALCO :
2640, E-2640