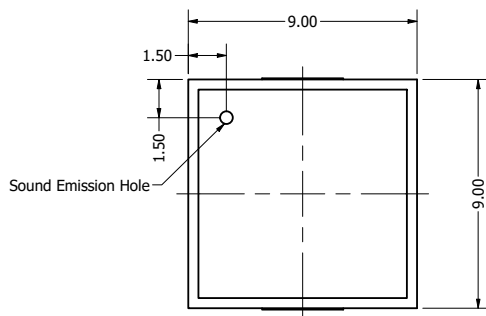
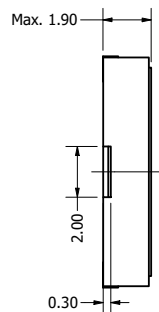


Part Number:	TP094003-1	
	DRAWN	12/19/2016
	CJ	
Description:	CHECKED	12/19/2016
	P.D.	
	APPROVED	12/19/2016
	J.S.	
This document contains data proprietary to DB Unlimited. Any use or reproduction, in any form, without prior written permission of DB Unlimited is prohibited. All terms and conditions can be found at <a href="http://www.dbunlimitedco.com">www.dbunlimitedco.com</a>		

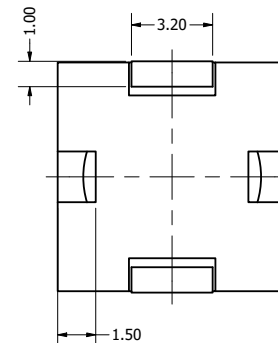
Top View



Side View



Bottom View



Items	Specifications	Conditions
Sound Pressure Level	70	dB (@ 10cm)
Resonant Frequency	4,000	Hz
Rated Voltage	3	V
Voltage Range	1 ~ 25	V
Capacitance	12,000	pF
Max. Rated Current	3	mA
Storage Temperature	-40 ~ +85	°C
Operating Temperature	-40 ~ +85	°C
Connection Method	Surface Pads	
Mount Type	Surface Mount	
Housing Material	LCP	
Weight	0.2	g

REVISION HISTORY

REV	DESCRIPTION	DATE	APPROVED
	Released from Engineering	3/31/2014	J.S.
1	Updated to new template	12/19/2016	J.S.
2	Updated specs and sound emission hole description	4/2/2020	J.S.

NOTES

- 1) All dimensions are in mm unless otherwise noted
- 2) All tolerances are  $\pm 0.5$  mm unless otherwise noted
- 3) All parts meet RoHS
- 4) Subject to change or redrawn without notice