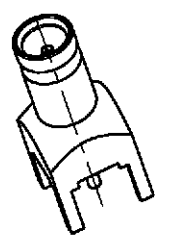
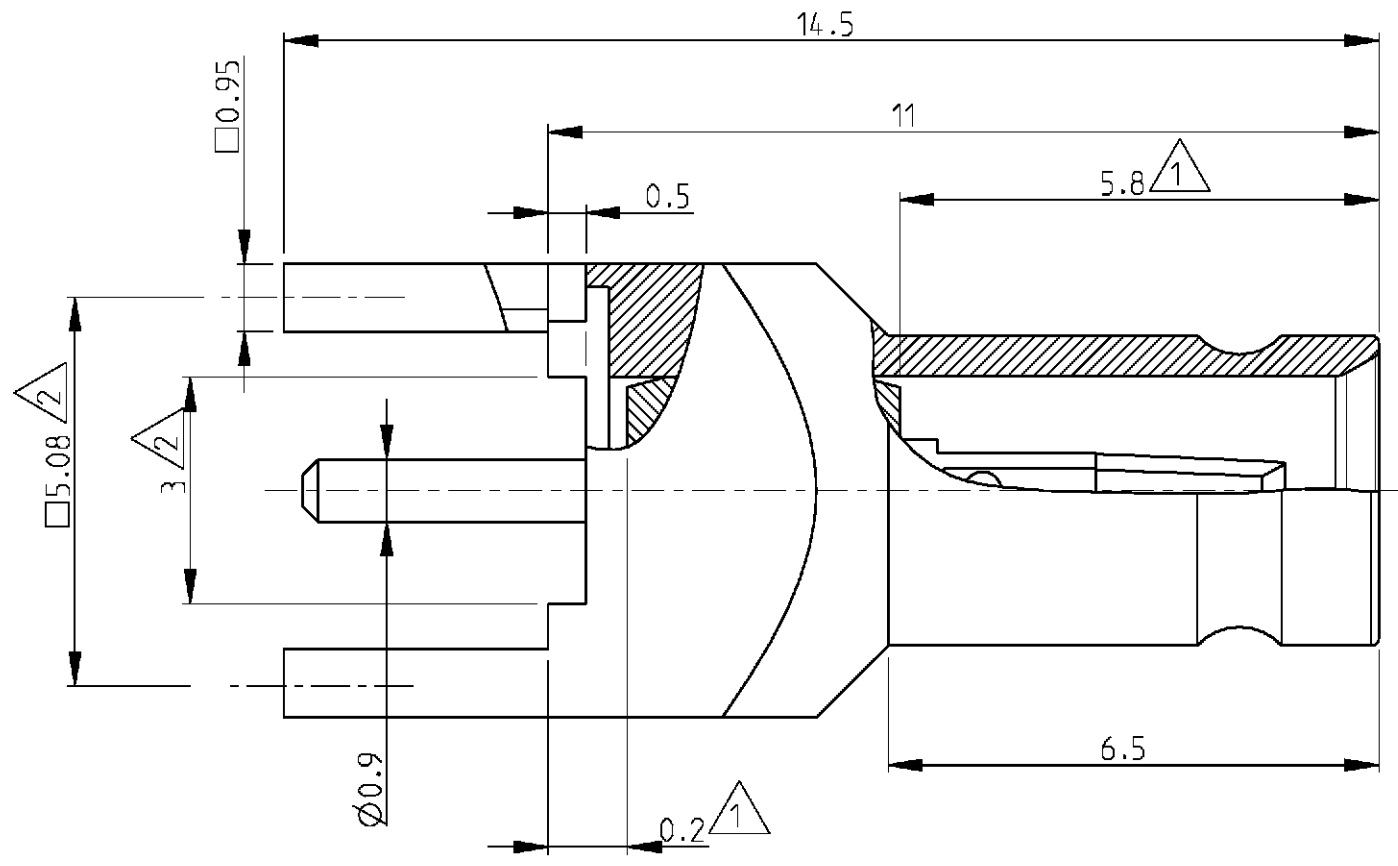


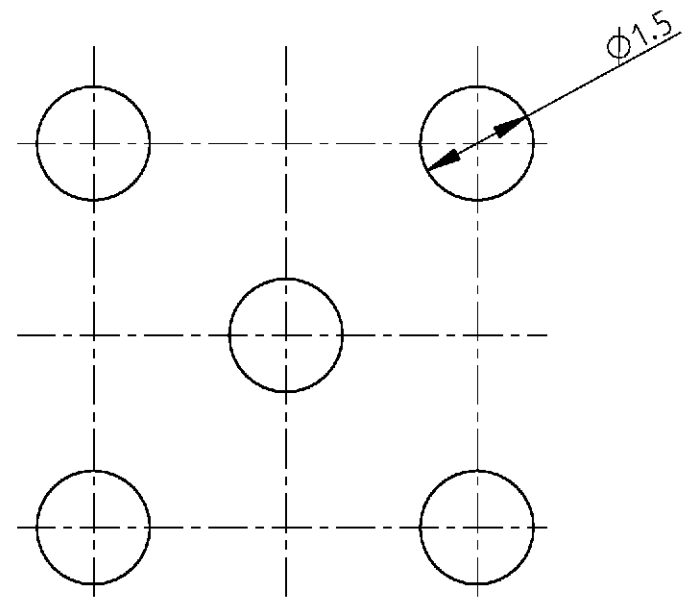
THIS DRAWING IS UNPUBLISHED. RELEASED FOR PUBLICATION 2000
 © COPYRIGHT 2000 BY TYCO ELECTRONICS CORPORATION. ALL RIGHTS RESERVED.

LOC	DIST	REVISIONS			
P	LTR	DESCRIPTION	DATE	DWN	APVD
GW	-	A1	SR10-0138-01	5APR2001	CM KM



2:1

Recommended PCB Layout
Pitch : 2.54



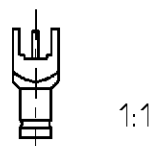
- 4. Mating face according to DIN 47297 and CECC 22230
- 3. Mounting requirements : PCB with pitch 2.54 ²
 Thickness : ± 3mm
 Diameter of bores : Ø1.5 mm ²

² Nominal dimension
¹ Minimum dimension

All dimensions are maximum unless otherwise specified

V23600-A1027-C1	3-1393670-4	Dielectric	PTFE	
		Outer Con.	Brass	1µm Au min in contact area
		Center Con.	Cu Be	1µm Au min in contact area
Old Nr	Tyco Nr	Description	Material	Plating

<small>THIS DRAWING IS A CONTROLLED DOCUMENT FOR TYCO ELECTRONICS CORPORATION. IT IS SUBJECT TO CHANGE AND THE CONTROLLING ENGINEERING ORGANIZATION SHOULD BE CONTACTED FOR THE LATEST REVISION.</small>		DWN MOROBE 15MAR2001 CHK MATTHEEUWS 3APR2001 APVD BOZZER 5APR2001		Tyco Electronics Oostkamp - Belgium	
DIMENSIONS: mm 		TOLERANCES UNLESS OTHERWISE SPECIFIED: 0 PLC ±0.5 1 PLC ±0.13 2 PLC ±0.013 3 PLC ±0.0001 4 PLC ANGLES ±		NAME BULKHEAD JACK WITH PCB CONNECTION 1.0/2.3 50 Ohm	
MATERIAL - FINISH -		PRODUCT SPEC 108-71032 APPLICATION SPEC - WEIGHT -		SIZE A3 CAGE CODE 00779 DRAWING NO C-3-1393670-4 RESTRICTED TO -	
				SCALE 10/1 SHEET 1 OF 1 REV A1	



1:1