

THIS DRAWING IS UNPUBLISHED.

RELEASED FOR PUBLICATION

2006

© COPYRIGHT 2006

ALL RIGHTS RESERVED.

LOC
A1

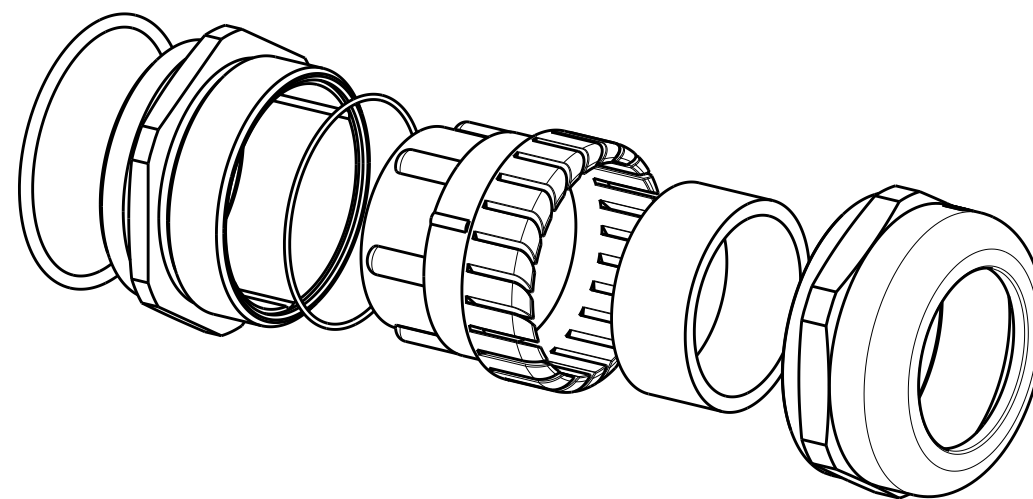
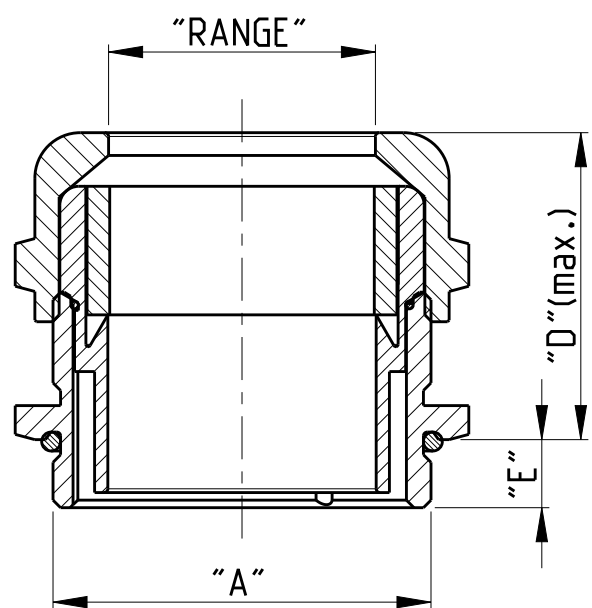
DIST
-

REVISIONS

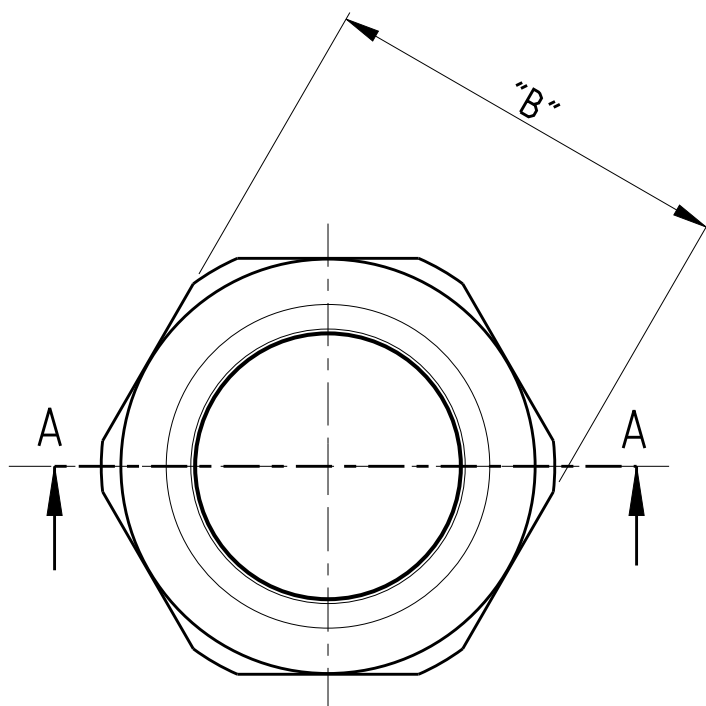
P	LTR	DESCRIPTION	DATE	DWN	APVD
A3		REVISED PER ECO-11-008493	22APR2011	HMR	MM
A4		ECR-15-008928	18JUN2015	GS	JB
A5		REVISED PER ECR-17-014412	03APR18	NG	MKO
A6		REVISED PER ECR-18-003249	11APR2019	SR	MKO

Notes

- 1 MATERIALS:
 DOME NUT & GLAND BODY : BRASS CuZn39Pb3. NICKEL-PLATED
 LAMELLAR INSERT: POLYAMIDE PA6 V-2
 SEALING RING: POLYCHLOROPRENE-NITRILE RUBBER CR/NBR
 O-RING: NITRILE RUBBER NBR



EXPLODED VIEW



OBSELETE	5-0	HUT.M50.MS	M50x1.5	SW 55	9	40.5	Ø24-35
SUPERSEDED BY T3609400112-000 OR T3609400102-000	4-0	HUT.M40.MS	M40x1.5	SW 43	8	33.0	Ø19-27
SUPERSEDED BY T3609320112-000 OR T3609320102-000	3-2	HUT.M32.MS	M32x1.5	SW 34	8	30.0	Ø14-21
SUPERSEDED BY T3609250112-0000 OR T3609250102-000	2-5	HUT.M25.MS	M25x1.5	SW 27	7	29.5	Ø11-16
SUPERSEDED BY T3609200112-000 OR T3609200102-000 OR T3609200122-000	2-0	HUT.M20.MS	M20x1.5	SW 22	6	27.5	Ø9-13
SUPERSEDED BY T3609160122-000	1-6	HUT.M16.MS	M16x1.5	SW 17	5	25.0	Ø5-9

PART NO.	DESCRIPTION	"A"	"B"	"E"	"D"	"RANGE"
DIMENSIONS						

THIS DRAWING IS A CONTROLLED DOCUMENT.		DWN H.BRAUN 20DEC2006	TE TE Connectivity			
DIMENSIONS: mm		CHK -				
TOLERANCES UNLESS OTHERWISE SPECIFIED: 0 PLC ± 1 PLC ± 2 PLC ± 3 PLC ± 4 PLC ± ANGLES ±°		APVD T.SCHNURPFEL 20DEC2006	ASS'Y CABLE GLAND SERIES HUT-MS, METRIC			
MATERIAL - FINISH -		PRODUCT SPEC -				
WEIGHT -		APPLICATION SPEC -	SIZE A3	CAGE CODE 00779	DRAWING NO C-1102770	RESTRICTED TO -
CUSTOMER DRAWING			SCALE 5:1	SHEET 1 OF 1	REV A6	