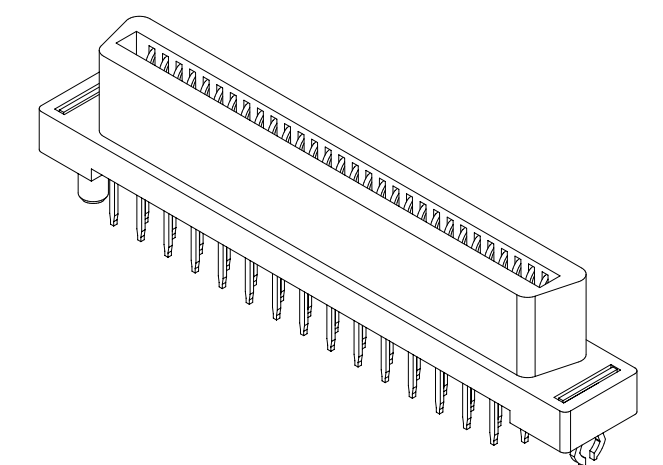
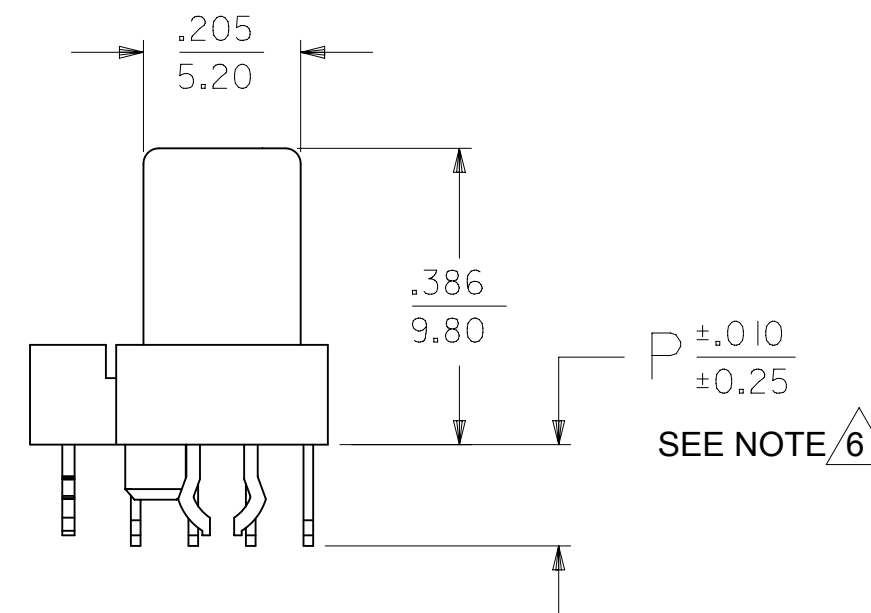
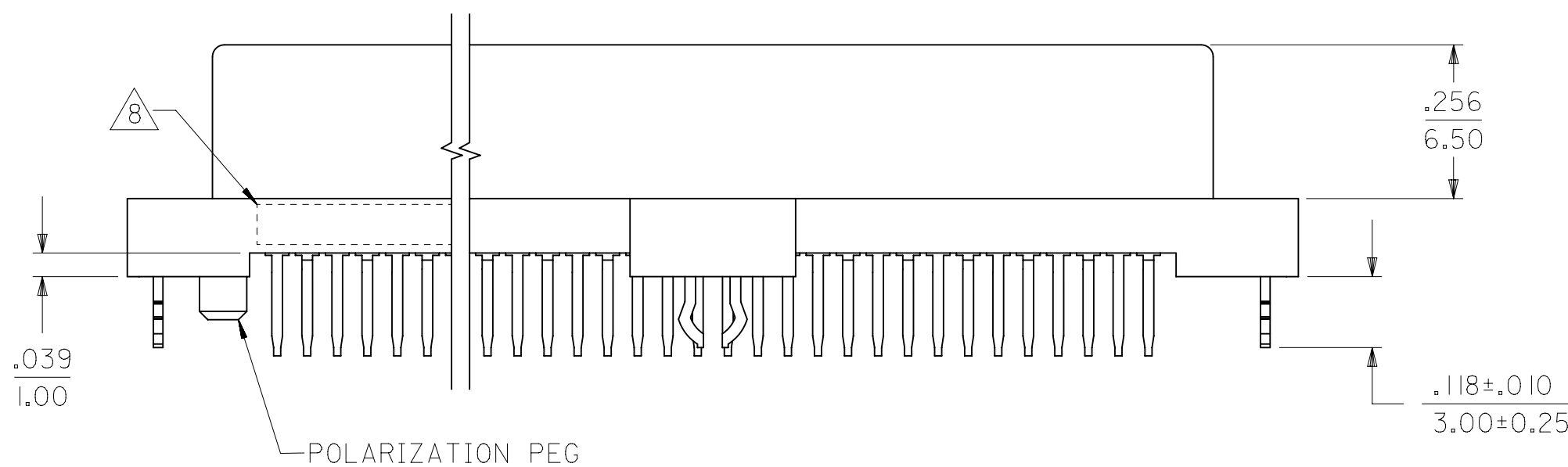
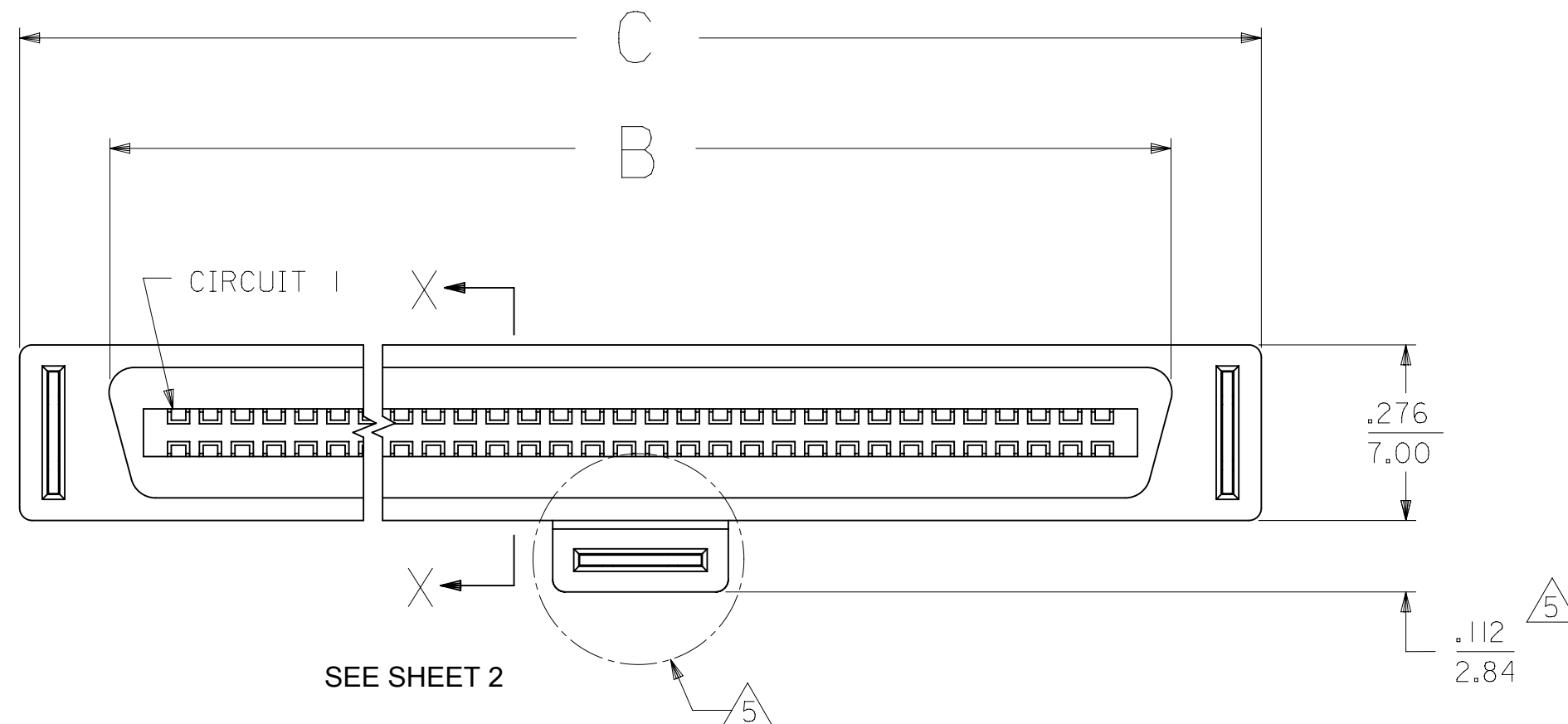


NOTES:

- 1) MATERIALS:
HOUSING- LCP, GLASS FILLED, 94V-0, BLACK.
TERMINALS- COPPER ALLOY
METAL PEGS- COPPER ALLOY
- 2) FINISH:
TERMINALS:
.000030/(0.00076) MINIMUM GOLD IN CONTACT AREA OVER
.000050/(0.00127) MINIMUM TIN IN TAIL AREA OVER
.000075/(0.00191) MINIMUM NICKEL UNDERPLATE OVERALL.
- 3) ASSEMBLY MATES WITH MOLEX P/N SDA-71661-****.
- 4) CONFORMS TO PRODUCT SPECIFICATION PS-71660.
- 5 CENTER PEG IS ONLY ON I20 AND I30 CIRCUIT ASSEMBLIES.
- 6 TAIL LENGTH ON FIRST MATE CONTACTS IS APPROXIMATELY .010 INCH/0.25 MM SHORTER THAN THE TAIL LENGTH SPECIFIED.
- 7 CONNECTOR WILL ACCEPT MATING TO A P.C. BOARD WITH A THICKNESS OF .062±.003.
- 8 FOUR DIGIT DATE CODE (WK YR), EXAMPLE => 26 96 LOCATED IN AREA INDICATED.
- 9 SEE CHART FOR PACKAGING INFORMATION.



60 CIRCUIT ASSEMBLY SHOWN
SCALE 2:1

THIS DRAWING CONTAINS INFORMATION THAT IS PROPRIETARY TO MOLEX ELECTRONIC TECHNOLOGIES, LLC AND SHOULD NOT BE USED WITHOUT WRITTEN PERMISSION

DIMENSION UNITS IN/MM		SCALE 4:1		CURRENT REV DESC: OBSOLETE PART NO		molex			
GENERAL TOLERANCES (UNLESS SPECIFIED)				EC NO: 625872					
		MM	INCH	DRWN: AKUMAR19 2019/06/06		PRODUCT CUSTOMER DRAWING			
4 PLACES ±		±	±	CHK'D: GB 2019/11/06					
3 PLACES ±		± 0.005		APPR: GGA 2019/11/12		DOC TYPE PSD			
2 PLACES ±		0.13	0.01	INITIAL REVISION:					
1 PLACE ±		0.25		DRWN: RAN 1992/06/15		REVISION P			
0 PLACES ±				APPR: CAB 1992/06/15					
ANGULAR TOL ± 0.5°				THIRD ANGLE PROJECTION		CUSTOMER GENERAL MARKET			
DRAFT WHERE APPLICABLE MUST REMAIN WITHIN DIMENSIONS				DRAWING C-SIZE					
				SERIES 71660					

ENGINEERING NUMBER	EDP NUMBER	PACKAGING SPEC	CKT ("N")	A	B	C	D	P	ADVANCED TERMINALS / CKTS SEE SECTION X-X "FMLB OPT"
SDA-71660-1030	015-92-1030	PK-71660	30	.700 (17.78)	.918 (23.32)	1.199 (30.45)	1.092 (27.75)	↑ ↓ .134 (3.40)	↑ ↓ N/A
SDA-71660-1050	015-92-1050	PK-71660	50	1.200 (30.48)	1.418 (36.02)	1.699 (43.15)	1.592 (40.45)		
SDA-71660-1080	015-92-1080	PK-71660	80	1.950 (49.53)	2.668 (67.77)	2.949 (74.90)	2.842 (72.20)		
SDA-71660-1100	015-92-1100	PK-71660	100	2.450 (62.23)	2.668 (67.77)	2.949 (74.90)	2.842 (72.20)		
SDA-71660-1120	015-92-1120	PK-71660	120	2.950 (74.93)	3.168 (80.47)	3.449 (87.60)	3.342 (84.90)		
SDA-71660-1130	015-92-1130	PK-71660	130	3.200 (81.28)	3.418 (86.82)	3.699 (93.95)	3.592 (91.25)		
SDA-71660-1330	015-92-1430	PK-71660	30	.700 (17.78)	.918 (23.32)	1.199 (30.45)	1.092 (27.75)	↑ ↓ .110 (2.79)	↑ ↓ N/A
SDA-71660-1340	015-92-1440	PK-71660	40	.950 (24.13)	1.168 (29.67)	1.449 (36.80)	1.342 (34.10)		
SDA-71660-1350	015-92-1450	PK-71660	50	1.200 (30.48)	1.418 (36.02)	1.699 (43.15)	1.592 (40.45)		
SDA-71660-1360	015-92-1460	PK-71660	60	1.450 (36.83)	1.668 (42.37)	1.949 (49.50)	1.842 (46.80)		
SDA-71660-1380	015-92-1480	PK-71660	80	1.950 (49.53)	2.168 (55.07)	2.449 (62.20)	2.342 (59.50)		
SDA-71660-1400	015-92-1500	PK-71660	100	2.450 (62.23)	2.668 (67.77)	2.949 (74.90)	2.842 (72.20)		
SDA-71660-1420	015-92-1520	PK-71660	120	2.950 (74.93)	3.168 (80.47)	3.449 (87.60)	3.342 (84.90)		
SDA-71660-1630	716601630	PK-71660	30	.700 (17.78)	.918 (23.32)	1.199 (30.45)	1.092 (27.75)	↑ ↓ .155 (3.94)	↑ ↓ N/A
SDA-71660-1640	716601640	PK-71660	40	.950 (24.13)	1.168 (29.67)	1.449 (36.80)	1.342 (34.10)		
SDA-71660-1650	716601650	PK-71660	50	1.200 (30.48)	1.418 (36.02)	1.699 (43.15)	1.592 (40.45)		
SDA-71660-1660	716601660	PK-71660	60	1.450 (36.83)	1.668 (42.37)	1.949 (49.50)	1.842 (46.80)		
SDA-71660-1668	716601668	PK-71660	68	1.650 (41.91)	1.868 (47.45)	2.149 (54.58)	2.042 (51.88)		
SDA-71660-1680	716601680	PK-71660	80	1.950 (49.53)	2.168 (55.07)	2.449 (62.20)	2.342 (59.50)		
SDA-71660-1700	716601700	PK-71660	100	2.450 (62.23)	2.668 (67.77)	2.949 (74.90)	2.842 (72.20)		
SDA-71660-1720	716601720	PK-71660	120	2.950 (74.93)	3.168 (80.47)	3.449 (87.60)	3.342 (84.90)		
SDA-71660-1730	716601730	PK-71660	130	3.200 (81.28)	3.418 (86.82)	3.699 (93.95)	3.592 (91.25)		

THIS DRAWING CONTAINS INFORMATION THAT IS PROPRIETARY TO MOLEX ELECTRONIC TECHNOLOGIES, LLC AND SHOULD NOT BE USED WITHOUT WRITTEN PERMISSION									
DIMENSION UNITS IN/MM		SCALE 4:1		CURRENT REV DESC: OBSOLETE PART NO			molex		
GENERAL TOLERANCES (UNLESS SPECIFIED)				EC NO: 625872					
4 PLACES ±		MM		INCH		DRWN: AKUMAR19			2019/06/06
3 PLACES ±		0.13		0.01		CHK'D: GB			2019/11/06
2 PLACES ±		0.25		0.01		APPR: GGA			2019/11/12
1 PLACE ±		0.50		0.01		INITIAL REVISION:			DOCUMENT NUMBER
0 PLACES ±		0.50		0.01		DRWN: RAN			1992/06/15
ANGULAR TOL ±		0.5°		0.01		APPR: CAB			1992/06/15
DRAFT WHERE APPLICABLE MUST REMAIN WITHIN DIMENSIONS		THIRD ANGLE PROJECTION		DRAWING		SERIES		MATERIAL NUMBER	
				C-SIZE		71660		SEE TABLE	
								CUSTOMER	
								GENERAL MARKET	
								SHEET NUMBER	
								3 OF 3	