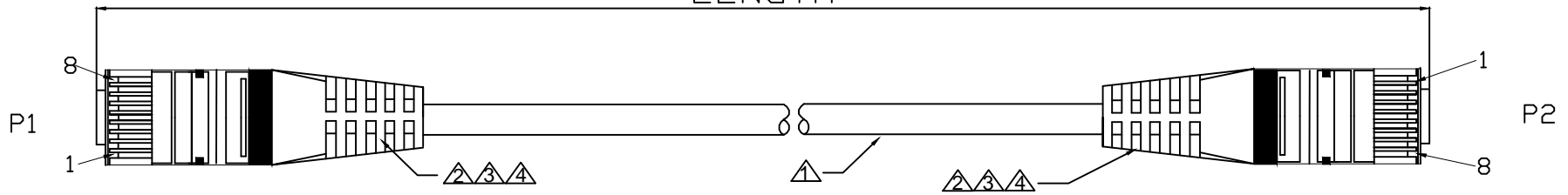


1 2 3 4 5 6 7

LENGTH



Order Code:

① A-MCSP-80XXX : color Grey

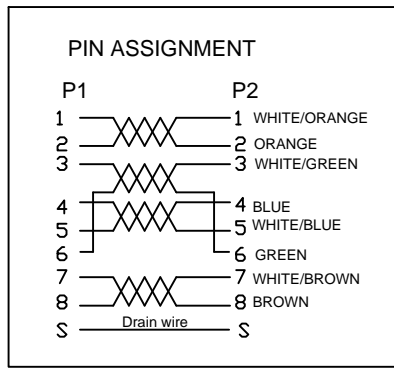
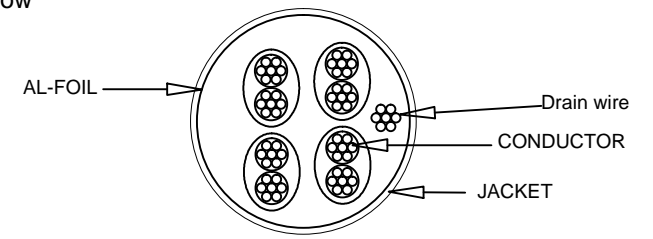
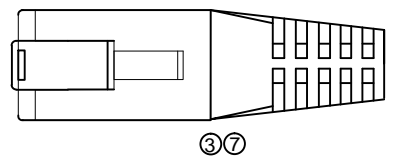
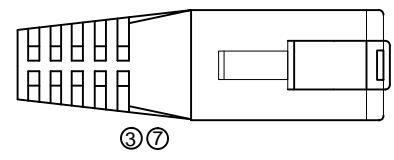
④② Order lengths in meter: 0.3,0.5,1,2,3,5,7,10,15,20,30

A-MCSP-80XXX/X

④② Order lengths in meter: 0.3,0.5,1,2,3,5,7,10,15,20,30  
 Order color:(R)Red,(Y)Yellow (G)Green,(B)Blue

⑥② TOLERANCE

Length(meter)	Max-M	Min-M
0.3	+0.03	-0.025
0.5	+0.03	-0.025
1	+0.04	-0.035
2	+0.06	-0.06
3	+0.09	-0.09
5	+0.15	-0.15
7	+0.21	-0.21
10	+0.3	-0.3
15	+0.45	-0.45
20	+0.6	-0.6
30	+0.9	-0.9



Electrical  
100% short,open,miswire test

⑦	AL-Foil	Double-sided conductive aluminum foil	2	PCS
⑦	mold	PVC,65P	AR	G
	plug	8P8C plating gold 3U" with metal shield	2	PCS
⑦⑤	cable	CAT5E F/UTP (26AWG*1P)*4+D+A+PVC, OD:5.2±0.2mm	AR	M
NO	PART NO	DESCRIPTION	QTY	UNIT

**RoHS compliant**  
Unit:: mm

Scale	FREE	⑦	Change the plant	12.04.2022	Luca	Date	Name	Customer-No.
TOLERANCE		⑥	Clarify the tolerance	23.08.2018	Segal	Drawn	Joanna	ASSMANN WSW-No. <b>A-MCSP-80XXX/X</b>
X.	±X	⑤	Add "CAT5E"	20.10.2017	Stephon	Approved	Luca	
X.X	±X	④	Add length for 20M and 30M	20.09.2017	Fred			
DIM	TOL	③	remove mark on the mould	29.06.2016	Joanna	<b>ASSMANN</b> WSW components		Drawing-No.
ANGLE	±X°	②	Add length for 300mm	18.05.2015	Joanna			ASS 7425 CA
Angle	TOL	Id.	Modification	Date	Name	Replace	Sheet	

1 2 3 4 5 6 7