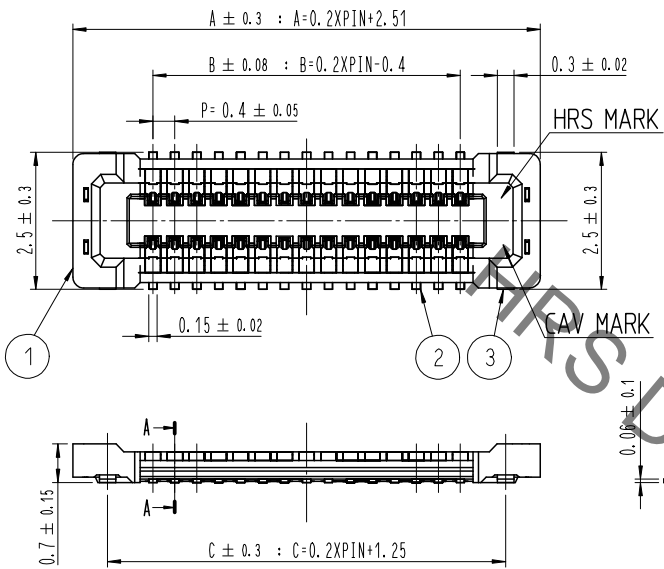
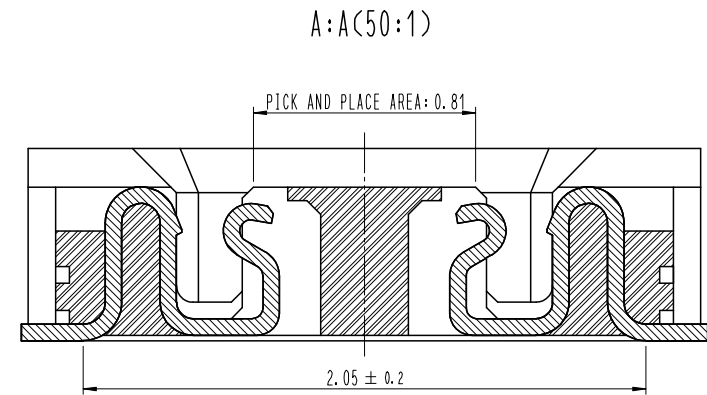


May.1.2023 Copyright 2023 HIROSE ELECTRIC CO., LTD. All Rights Reserved.
 use of consideration for using Automotive equipment / device which demand high reliability, kindly contact our sales window correspond

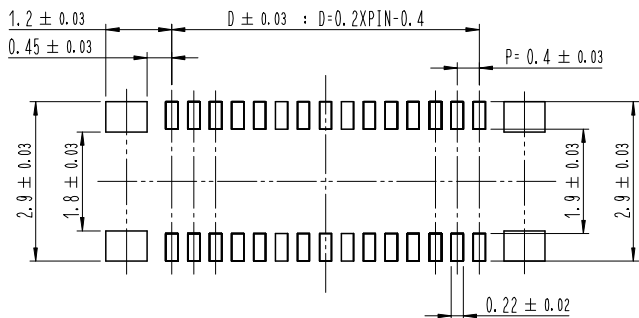


COUNT	DESCRIPTION OF REVISIONS	B	Y	CHKD	DATE	COUNT	DESCRIPTION OF REVISIONS	B	Y	CHKD	DATE
△						△					
△						△					
△						△					



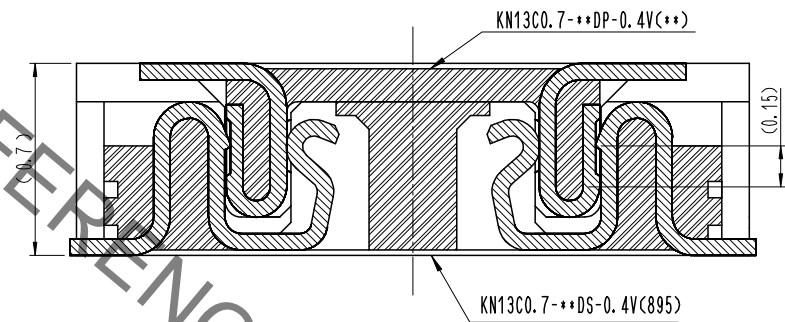
PART No.	CODE No.	PIN	A	B	C	D
KN13CO.7-10DS-0.4V(895)		10	4.51	1.6	3.25	1.6
KN13CO.7-16DS-0.4V(895)		16	5.71	2.8	4.45	2.8
KN13CO.7-24DS-0.4V(895)	-	24	7.31	4.4	6.05	4.4
KN13CO.7-30DS-0.4V(895)	-	30	8.51	5.6	7.25	5.6

4 RECOMMENDED PATTERN



4 RECOMMENDED SOLDER PASTE: THICKNESS 100 μm

ENGAGEMENT FIGURE (50:1)

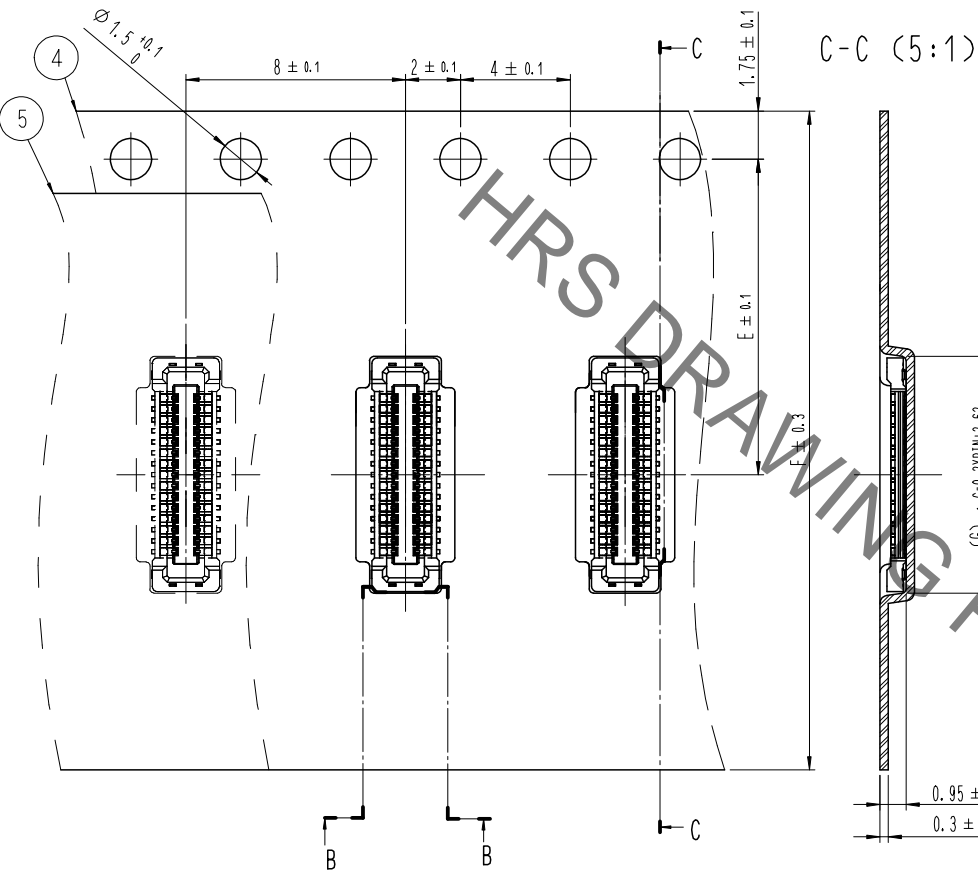


- NOTE
- ALL LEAD CO-PLANARITY SHALL BE 0.08mm MAX.
 - CONTACT PLATING SPECIFICATIONS.
 CONTACT AREA : GOLD 0.05 μm MIN.
 SMT LEAD : GOLD 0.05 μm MIN.
 UNDER PLATING : NICKEL 1 μm MIN.
 (SURFACE : SEALING)
 - METAL HOLD DOWN PLATING SPECIFICATIONS.
 SMT LEAD : GOLD 0.05 μm MIN.
 UNDER PLATING : NICKEL 1 μm MIN.
 - PLEASE CONTACT US IN CASE YOU WILL MAKE DIFFERENT SETTINGS FROM OUR RECOMMENDATION.

3	COPPER ALLOY	3	6	PS	BLACK (PLASTIC REEL)		
2	COPPER ALLOY	2	5	POLYESTER	CLEAR (COVER TAPE)		
1	LCP	UL94 V-0, BLACK	4	PS	CLEAR (EMBOSSED CARRIER TAPE)		
NO.	MATERIAL	FINISH, REMARKS	NO.	MATERIAL	FINISH, REMARKS		
REMARKS			DRAWN	DESIGNED	CHECKED	APPROVED	RELEASED
			S. G. PARK	S. G. PARK	H. W. JO	H. W. JO	21.02.24
			21.02.24	21.02.24	21.02.24	21.02.24	21.02.24
CODE NO. (OLD)	DRAWING NO.	EDC3-633317	PART NO.	KN13CO.7-**DS-0.4V(895)			
SCALE	10:1		CODE NO.	CL 66**-*--*-895			
UNITS	mm		HRS HIROSE KOREA CO., LTD.			1/2	

May.1.2023 Copyright 2023 HIROSE ELECTRIC CO., LTD. All Rights Reserved.
 use of consideration for using Automotive equipment / device which demand high reliability, kindly contact our sales window correspond

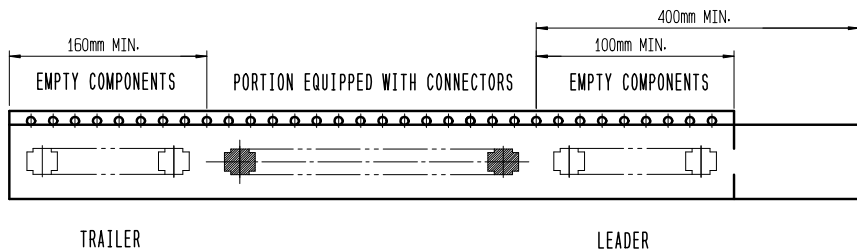
EMBOSSED CARRIER TAPE PACKAGING (5:1)



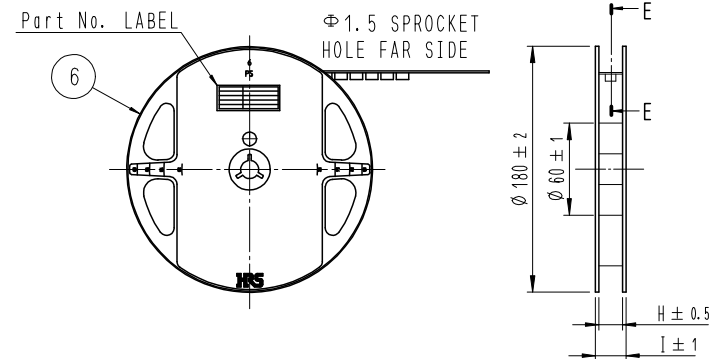
B-B (5:1)

DIRECTION OF UNREELING

TAPING(FREE)



STYLE AND DIMENTION OF REEL (FREE)



DETAIL OF PART No. LABEL

—	SUPPLIER
—	QUANTITY
—	PART NO.
—	CODE NO.
—	DATE OF MANUFACTURED
生産月日	年 月 日
図番	** ** *
品名	KN13CO.7-**-DS-0.4V(895)
納入数量	1,000個
納入者	HIROSE KOREA

P	I	N	E	F	G	H	I
10	7.5	16	4.62	17.5	21.5		
16	7.5	16	5.82	17.5	21.5		
24	7.5	16	7.42	17.5	21.5		
30	11.5	24	8.62	25.5	29.5		

5 . PER REEL 8,000 CONNECTORS.

6 . THE DIMENSIONS IN PARENTHESES ARE FOR REFERENCE.

7 > REFER TO JIS C 0806, IEC-60286-3 (PACKAGING OF COMPONENTS FOR AUTOMATIC HANDLING)

 SCALE 10:1 UNITS mm	DRAWING NO.	EDC3-63317	PART NO.	KN13CO.7-**-DS-0.4V(895)
	HIROSE KOREA CO., LTD.		CODE NO.	CL 66**-****-*-895