



## Main

Range of Product	Harmony GTU
Product or Component Type	Advanced touchscreen panel
Terminal type	Touchscreen display

## Complementary

Pixel resolution	1280 x 800
Touchscreen resolution	1024 x 1024
Provided equipment	1 flash card
[Us] rated supply voltage	12...24 V DC power supply
Supply voltage limits	10.8...28.8 V
Power Consumption in W	6.5 W
Display size	10.1 inch
Aspect ratio	4:3
Display type	Colour TFT LCD
Display Resolution	1280 x 800 pixels WVGA
Display colour	262144 colors
Backlight lifespan	50000 hours
Touch panel	Single touch analogue resistive
Type of Installation	Indoor installation
Type of cooling	Natural convection
Inrush current	30 A
Cut-out dimensions	190 (+ 1/- 0) x 135 (+ 1/- 0) mm
Width	10.57 in (268.5 mm)
Height	7.81 in (198.5 mm)
Depth	2.64 in (67 mm)
Net Weight	5.51 lb(US) (2.5 kg)

## Environment

IP degree of protection	Front panel IP66
NEMA degree of protection	NEMA 4X front panel
Standards	UL 508
Product Certifications	CE
Ambient air temperature for operation	32...140 °F (0...60 °C) EN 61131-2
Ambient air temperature for storage	-4...140 °F (-20...60 °C)
Pollution degree	2
Relative Humidity	10...90 % non-condensing
Operating altitude	6561.68 ft (2000 m)
Vibration resistance	3.5 mm constant amplitude 5...9 Hz) EN/IEC 61131-2
Shock resistance	147 m/s <sup>2</sup> EN/IEC 61131-2
Electromagnetic compatibility	Electrostatic discharge immunity test level 3 EN/IEC 61000-4-2

## Ordering and shipping details

Category	22567 - MAGELIS HMI GTU
Discount Schedule	MC2
GTIN	3606480841682
Nbr. of units in pkg.	1
Package weight(Lbs)	7.90 lb(US) (3.585 kg)
Returnability	No
Country of origin	CN

## Packing Units

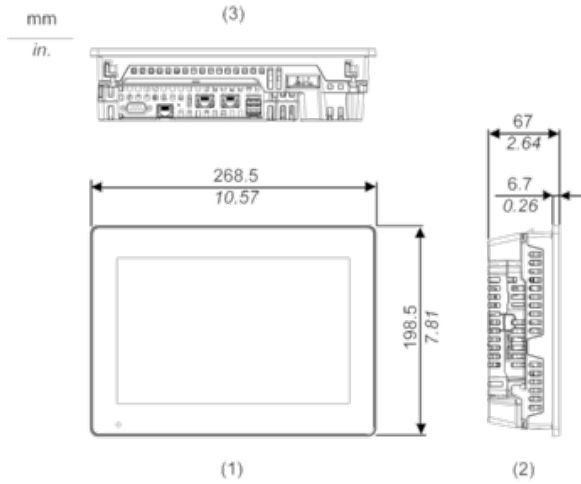
Unit Type of Package 1	PCE
Package 1 Height	7.48 in (19 cm)
Package 1 width	11.97 in (30.4 cm)
Package 1 Length	14.57 in (37 cm)
Unit Type of Package 2	CAR
Number of Units in Package 2	2
Package 2 Weight	17.82 lb(US) (8.084 kg)
Package 2 Height	16.93 in (43 cm)
Package 2 width	13.98 in (35.5 cm)
Package 2 Length	17.91 in (45.5 cm)

## Offer Sustainability

California proposition 65	WARNING: This product can expose you to chemicals including: Lead and lead compounds, which is known to the State of California to cause cancer and birth defects or other reproductive harm. For more information go to <a href="http://www.P65Warnings.ca.gov">www.P65Warnings.ca.gov</a>
REACH Regulation	<a href="#">REACH Declaration</a>
REACH free of SVHC	Yes
EU RoHS Directive	Pro-active compliance (Product out of EU RoHS legal scope) <a href="#">EU RoHS Declaration</a>
Mercury free	Yes
RoHS exemption information	<a href="#">Yes</a>
China RoHS Regulation	<a href="#">China RoHS Declaration</a>

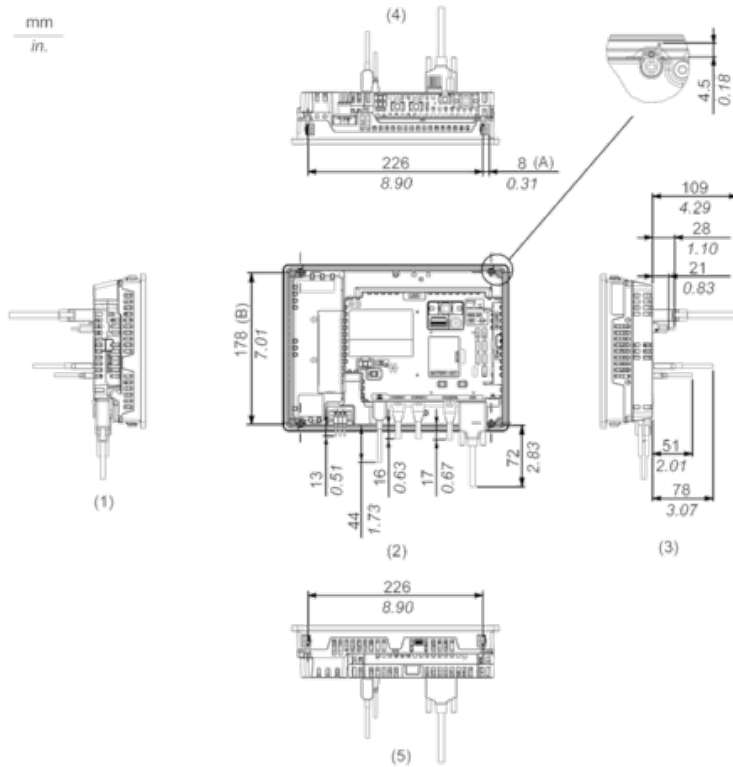
External Dimensions

Display Unit with Box Module



- 1 Front
- 2 Left
- 3 Bottom

Installation with Installation Fasteners and Dimensions with Cables

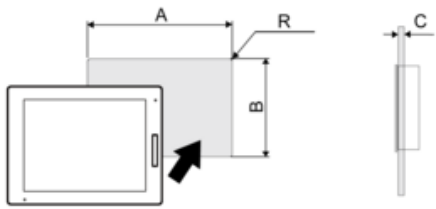


- (A) Rotation area of the fastener
- (B) Pitch of the center of installation fastener screws

- 1 Right
- 2 Front
- 3 Left
- 4 Bottom
- 5 Top

## Mounting

### Panel Cut Dimensions



Dimensions in mm

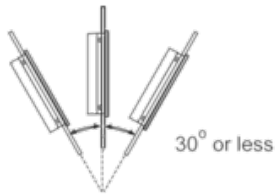
A	B	C	R
255 (+1/-0)	185 (+1/-0)	1.6...5	3 max.

Dimensions in in.

A	B	C	R
10.04 (+0.04/-0)	7.28 (+0.04/-0)	0.06...0.2	0.12 max.

## Installation Requirements

### Mounting Angle



When installing this product in a slanted position with an incline more than 30°, the ambient temperature must not exceed 40 °C (104 °F). You may need to use forced air cooling (fan, A/C) to ensure the ambient operating temperature is 40 °C or less (104 °F or less).

## Clearance

