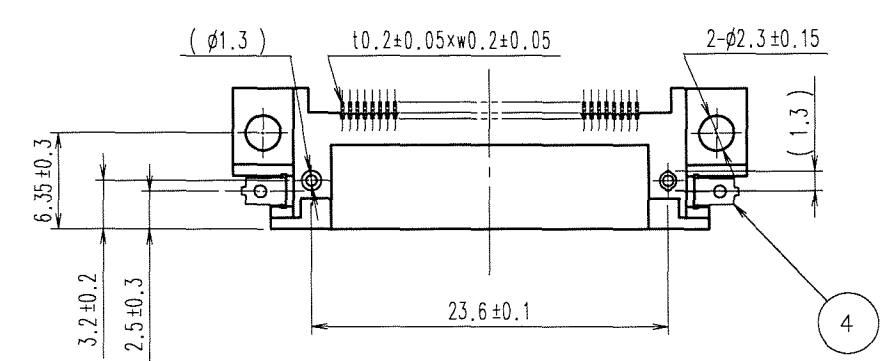
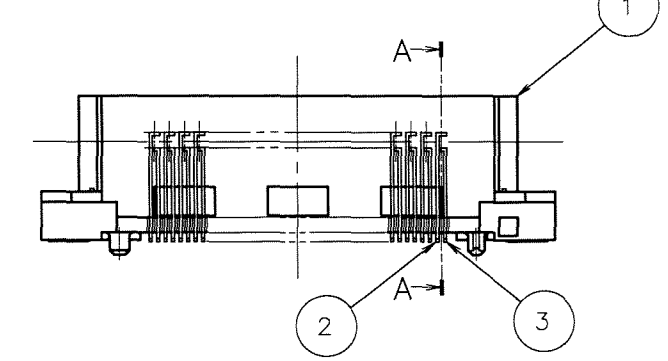
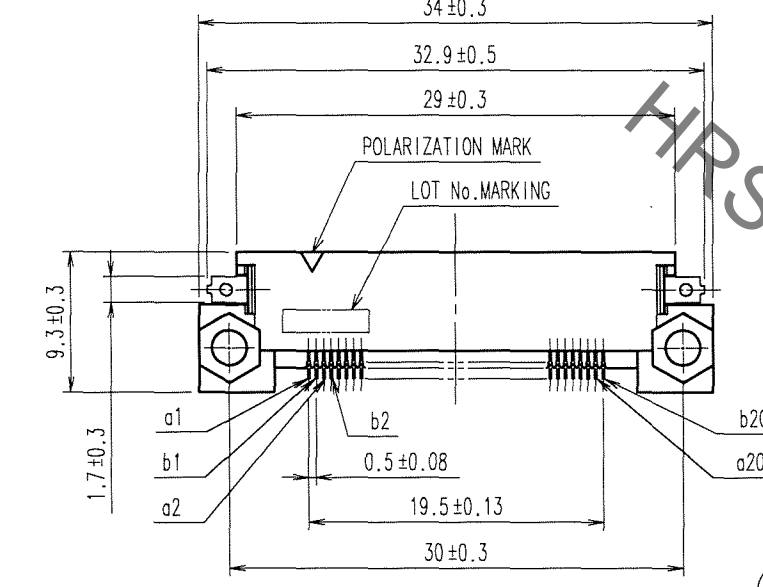
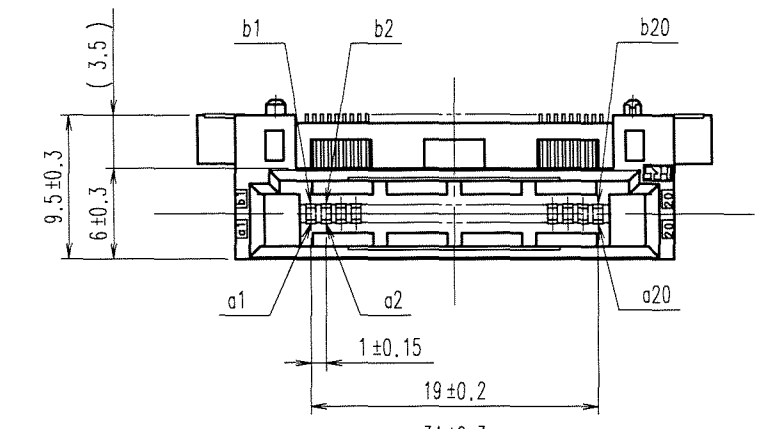
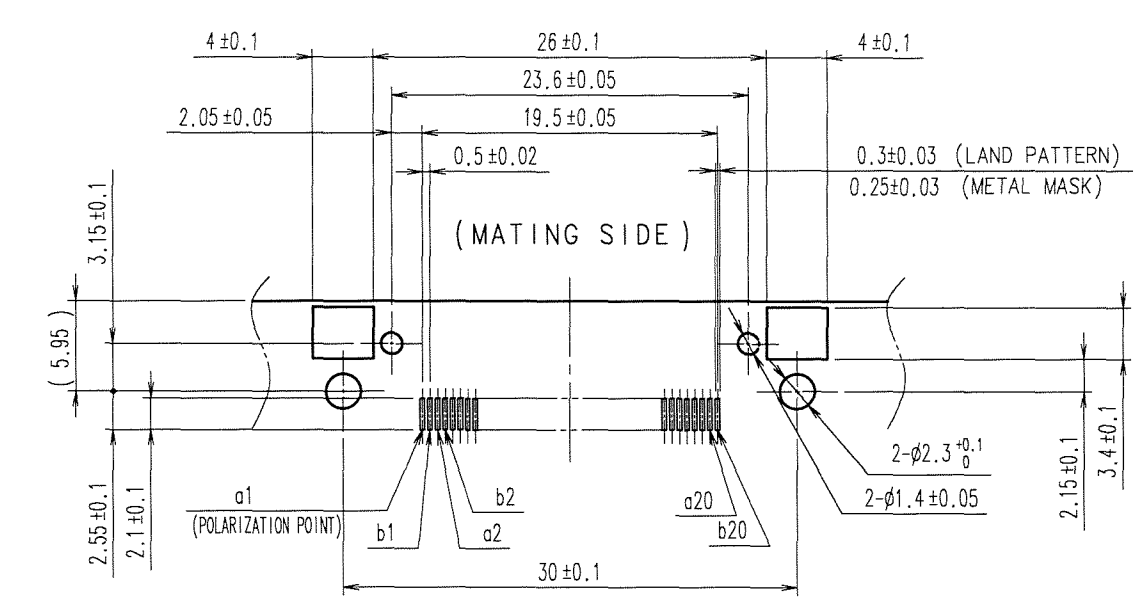


May.1.2023 Copyright 2023 HIROSE ELECTRIC CO., LTD. All Rights Reserved.
In case of consideration for using Automotive equipment / device which demand high reliability, kindly contact our sales window correspondents.

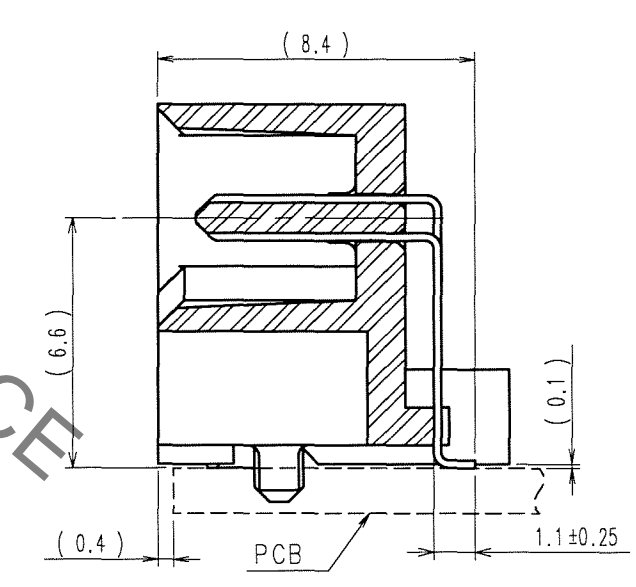
COUNT	DESCRIPTION OF REVISIONS	BY	CHKD	DATE	COUNT	DESCRIPTION OF REVISIONS	BY	CHKD	DATE
△					△				
△					△				
△					△				



RECOMMENDED P.C.B. LAND PATTERN (MOUNTING SIDE)



A-A (5:1)



NOTE 1 LEAD CO-PLANARITY INCLUDING REINFORCED METAL FITTINGS TO BE 0.1 MAX.
2 NOTE THAT THE REFERENCE TIGHTENING TORQUE IS 0.15 N·m.
3 THE DIMENSIONS IN PARENTHESES ARE FOR REFERENCE.

4	BRASS	TIN-PLATING	2, 3	BRASS	CONTACT AREA : GOLD 0.1μm min. LEAD AREA : TIN-PLATING 1μm min. UNDER PLATING : NICKEL 1μm min.
1	POLYAMIDE	BEIGE UL94V-0			
NO.	MATERIAL	FINISH, REMARKS	NO.	MATERIAL	FINISH, REMARKS
CODE NO. (OLD) CL			DRAWN	DESIGNED	CHECKED
			K.DOI	<i>K. Doi</i>	<i>K. Oyamori</i>
			'06.09.30	'06.10.04	'06.10.04
DRAWING NO. EDC3-151515-21			PART NO. FX5-40P-SH3(71)		
SCALE 2:1			CODE NO. CL575-0045-2-71		
UNITS mm			HRS HIROSE ELECTRIC CO., LTD.		

TO