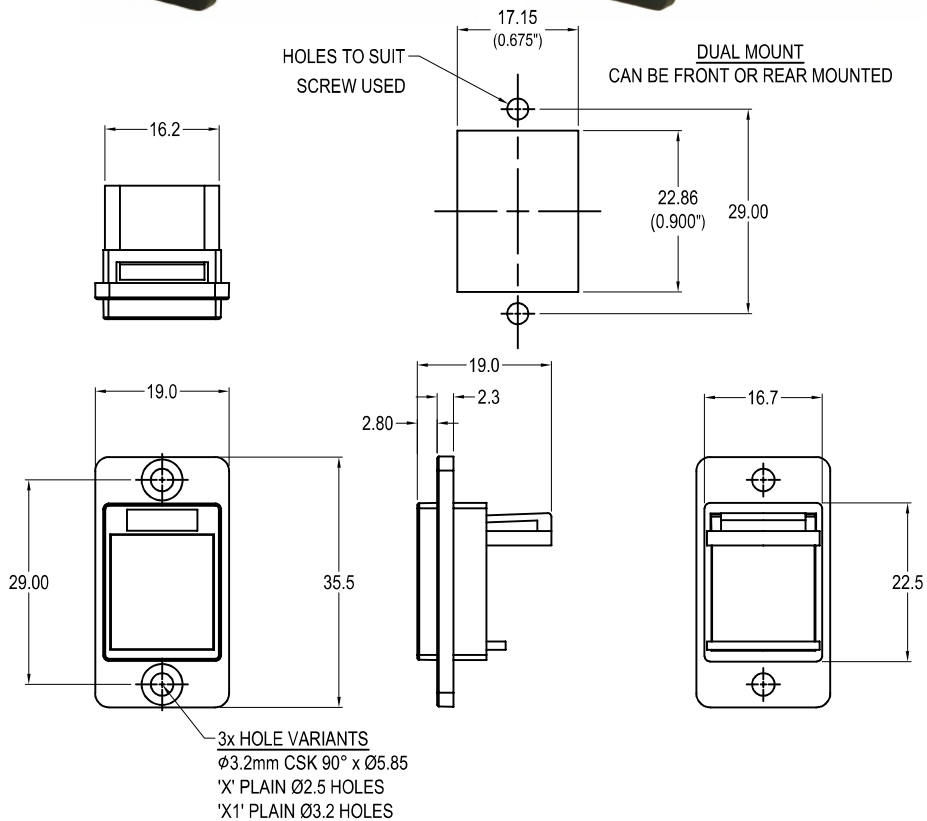
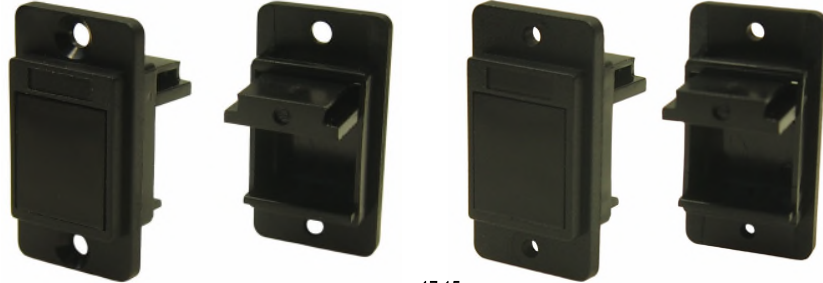


# CLIFF

## DUALSLIM BLANK FEEDTHROUGH CONNECTOR

Can be front or rear mounted in the panel



### Part No.

**CP30741**

DUALSLIM Blanking Plate Black plastic frame, CSK holes

**CP30741X**

DUALSLIM Blanking Plate Black plastic frame, Ø2.5 PLAIN holes

**CP30741X1**

DUALSLIM Blanking Plate Black plastic frame, Ø3.2 PLAIN holes

### Feedthrough Features

- Fits standard rectangular cutout.
- Various hole mounting options.
- No soldering or punch termination. Use standard cable for each connector style.
- Low rear profile.

### Material:

1. Insert: ABS
2. Plastic Frame: Polyamide UL94 V-2

### General:

Please note: Functionality is affected by cable quality, length and cable wiring configuration.

For further information, contact [sales@cliffuk.co.uk](mailto:sales@cliffuk.co.uk)

© CLIFF 11/2020 ISS.1

**Cliff Electronic Components Limited,**  
76 Holmethorpe Avenue, Holmethorpe Ind. Estate,  
Redhill, Surrey RH1 2PF U.K.  
Tel: +44 (0)1737 771375 Fax: +44 (0)1737 766012



[www.cliffuk.co.uk](http://www.cliffuk.co.uk)