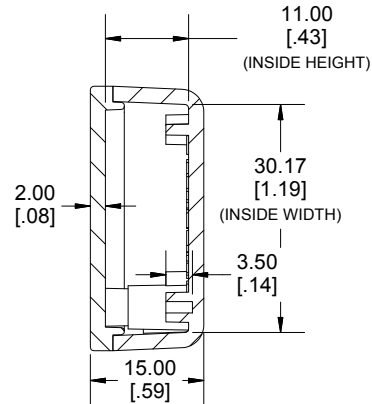
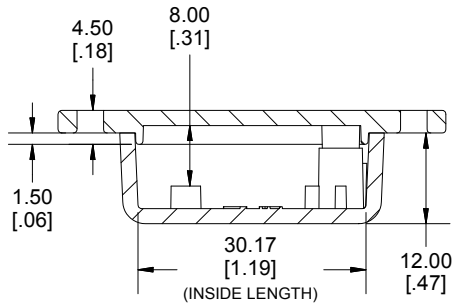
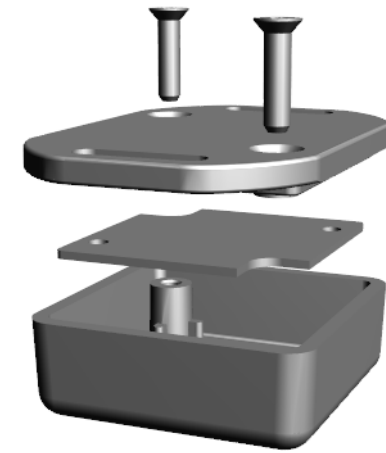


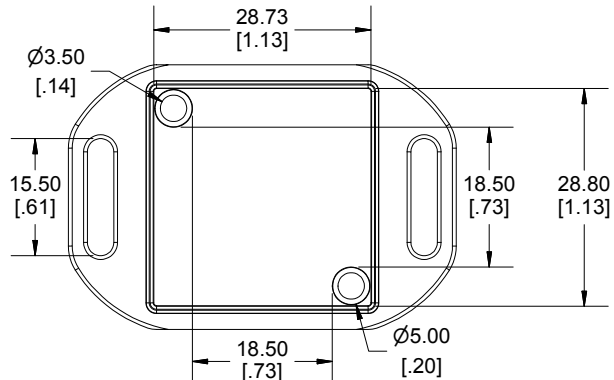
TOP VIEW



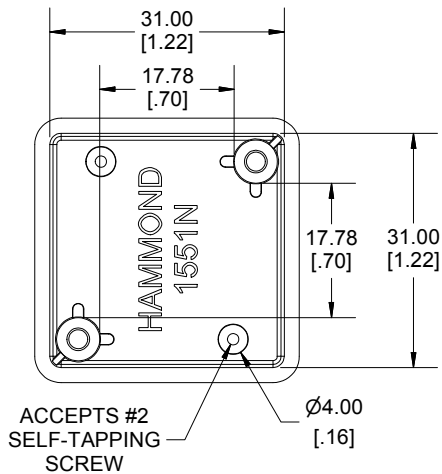
END VIEW SECTION B-B



SIDE VIEW SECTION A-A

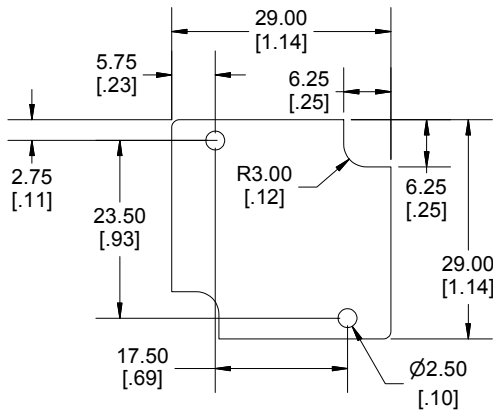


INSIDE LID



INSIDE BOX

ACCEPTS #2 SELF-TAPPING SCREW



MAXIMUM P.C. BOARD SIZE

Dimensions:
mm
[inches]

Enclosures can be Factory Modified (Milling, Drilling, Printing etc.)
Contact Factory mjm@hammondmfg.com for quotes
Solid models of this enclosure available in STEP or IGES.
(Part number and text placement/orientation on our products are subject to change, we do not recommend using them as a locating reference for modification purposes)

NOTE

Purchased assembly includes box, lid, 2 cover screws.
Enclosure molded from general purpose ABS Plastic.
Other materials / colours available consult factory.

Recommended Torque : (35-43) Ozf.in / (25-30) cN.m

PART NUMBERS

1551NFL Enclosure

Black Enclosure - Ral 9011 - UL94 - HB	1551NFLBK
Gray Enclosure - RAL 7035 - UL94 - HB	1551NFLGY
Tranlucent Blue - UL94 - HB	1551NFLTBU

ACCESSORIES

Black Cover Screws #4 X 1/2" Self-tapping	1591TS100BK (Pkg 100)
Plated Cover Screws #4 X 1/2" Self-tapping	1591TS100 (Pkg 100)
P.C. Board Screws	1551ATS50 (Pkg 50)
#2 x 3/16" self-tapping (4.8mm)	1551ATS100 (Pkg 100)

