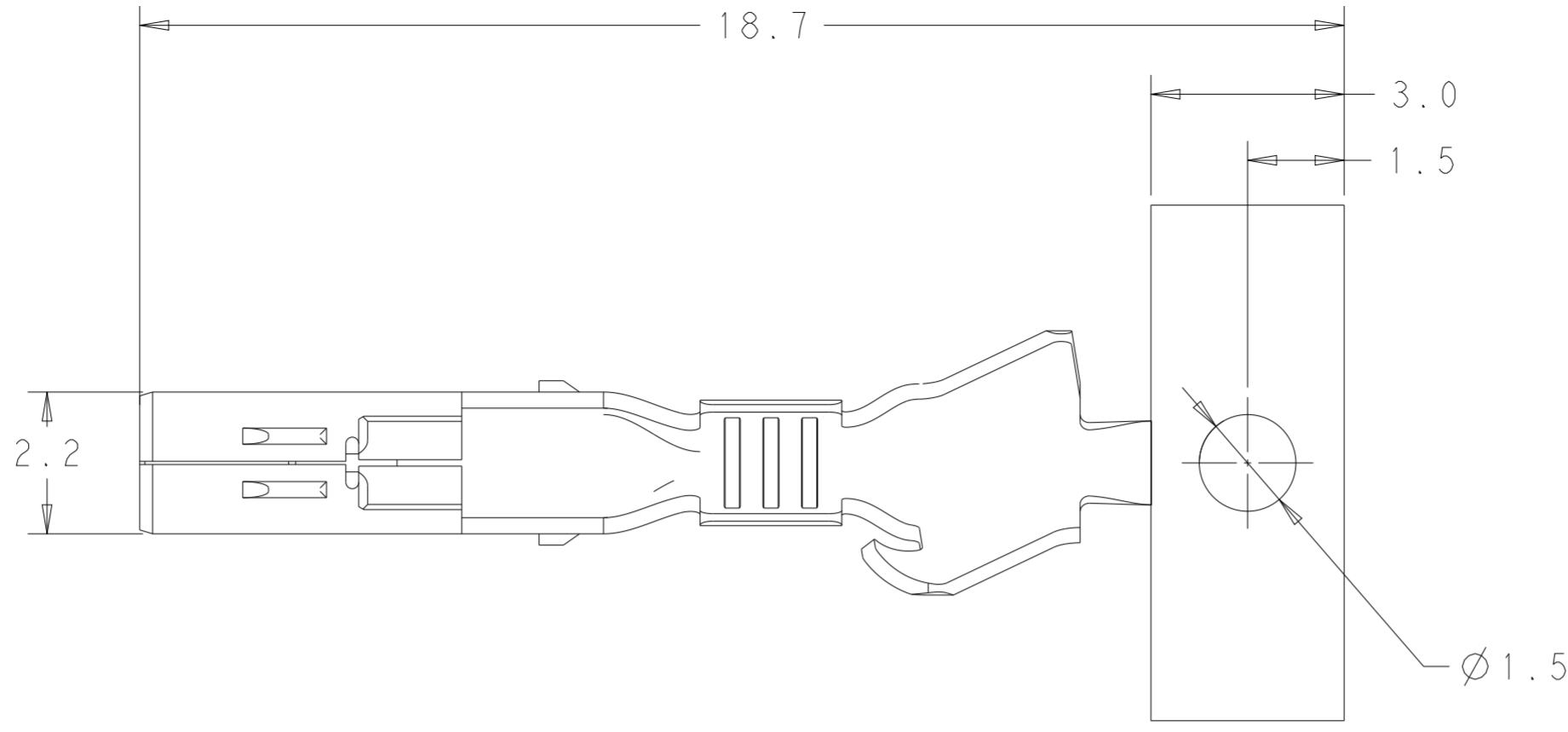
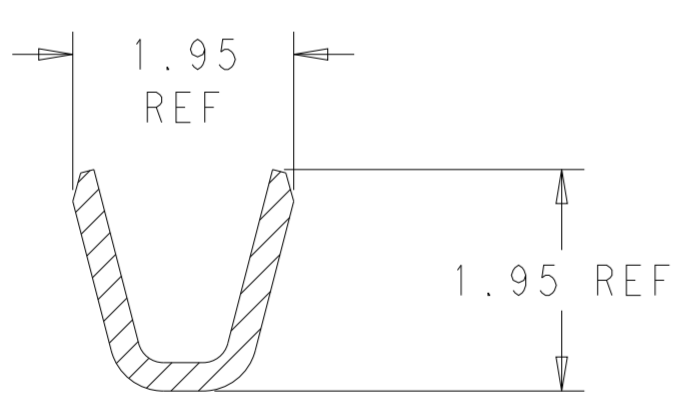
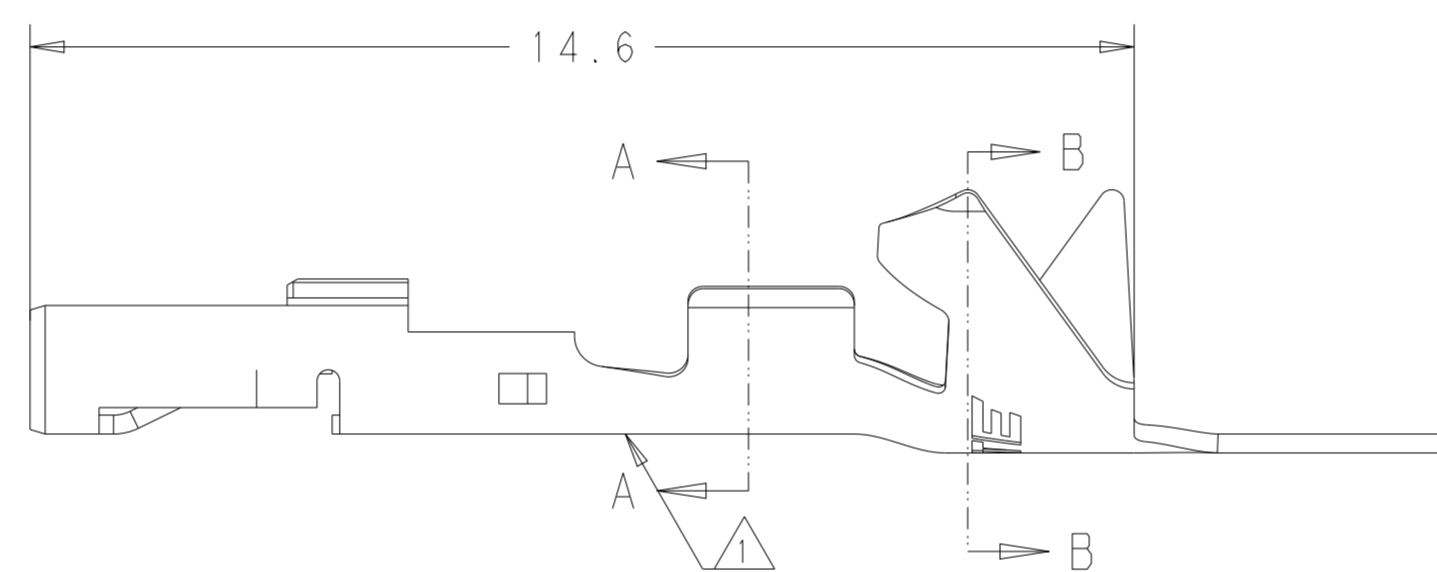
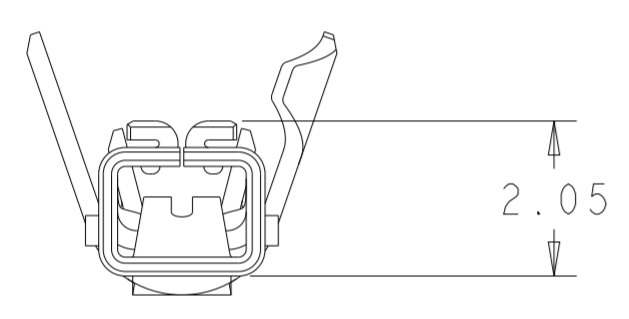


THIS DRAWING IS UNPUBLISHED. RELEASED FOR PUBLICATION
 © COPYRIGHT copyright.dBTe ALL RIGHTS RESERVED.

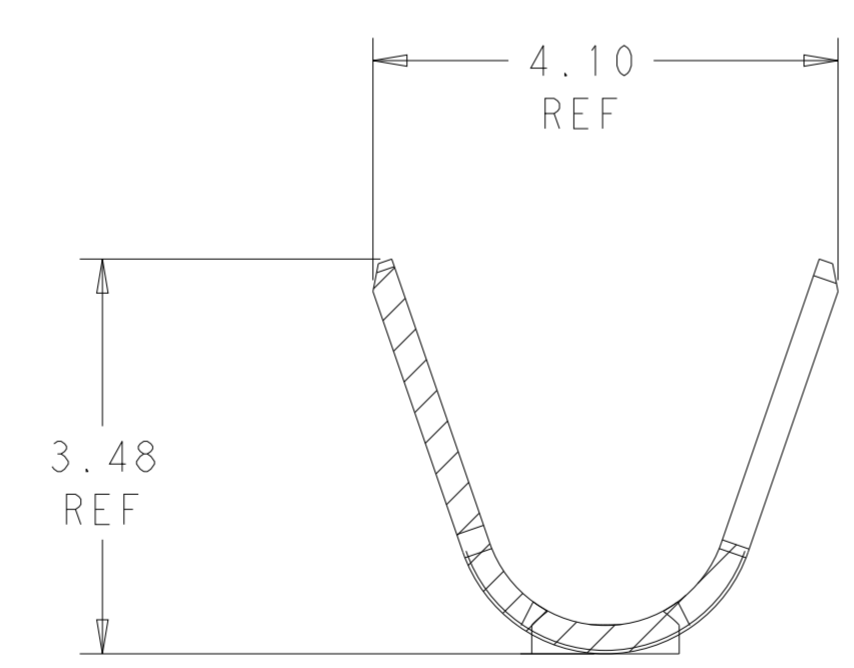
REVISIONS				
P	LTR	DESCRIPTION	DATE	APVD



- 1. MATERIAL MARK
- 2. WIRE RANGE: 22-26 AWG COPPER STRANDED
- 3. INSULATION RANGE: 1.3~2.4
- 4. THIS PRODUCT HAS NOT COMPLETED QUALIFICATION TESTING



SECTION A-A
SCALE 15:1



SECTION B-B
SCALE 15:1

M2	COPPER ALLOY	2329917-1
MATERIAL MARK	MATERIAL	PART NUMBER

THIS DRAWING IS A CONTROLLED DOCUMENT.		DWN SREERAJ K R 12 JAN 2022	TE Connectivity	
DIMENSIONS: mm		CHK DAVID SWARTZ 12 JAN 2022		
TOLERANCES UNLESS OTHERWISE SPECIFIED:		APVD VINAY 12 JAN 2022	NAME POWER VERSA-LOCK REC TERMINAL, WIRE SEAL 22-26 AWG	
0 PLC ±	1 PLC ±0.40	PRODUCT SPEC 108-143081	SIZE A2	CAGE CODE -
2 PLC ±0.30	3 PLC ±	APPLICATION SPEC 114-143082	DRAWING NO C-2329917	RESTRICTED TO -
4 PLC ±	ANGLES ±	WEIGHT -	SCALE 5:1	SHEET 1 OF 1
MATERIAL -	FINISH -	CUSTOMER DRAWING	REV A	