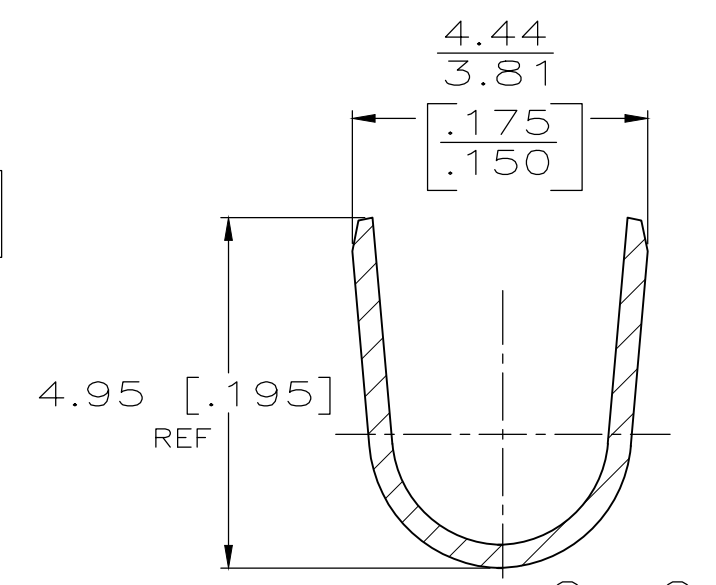
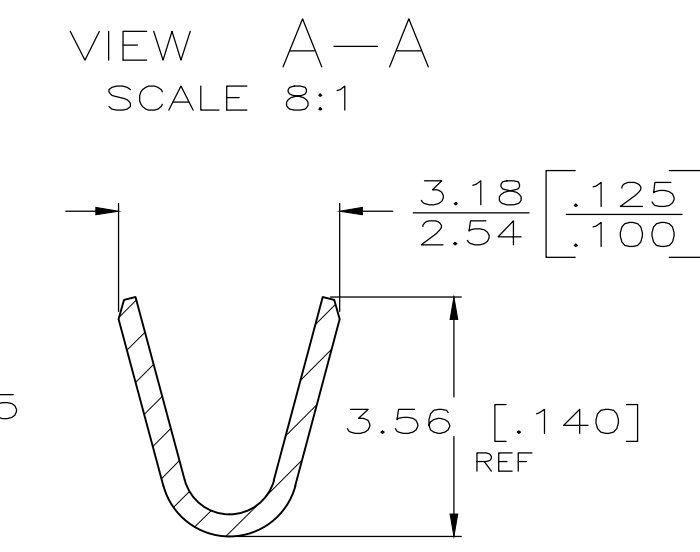
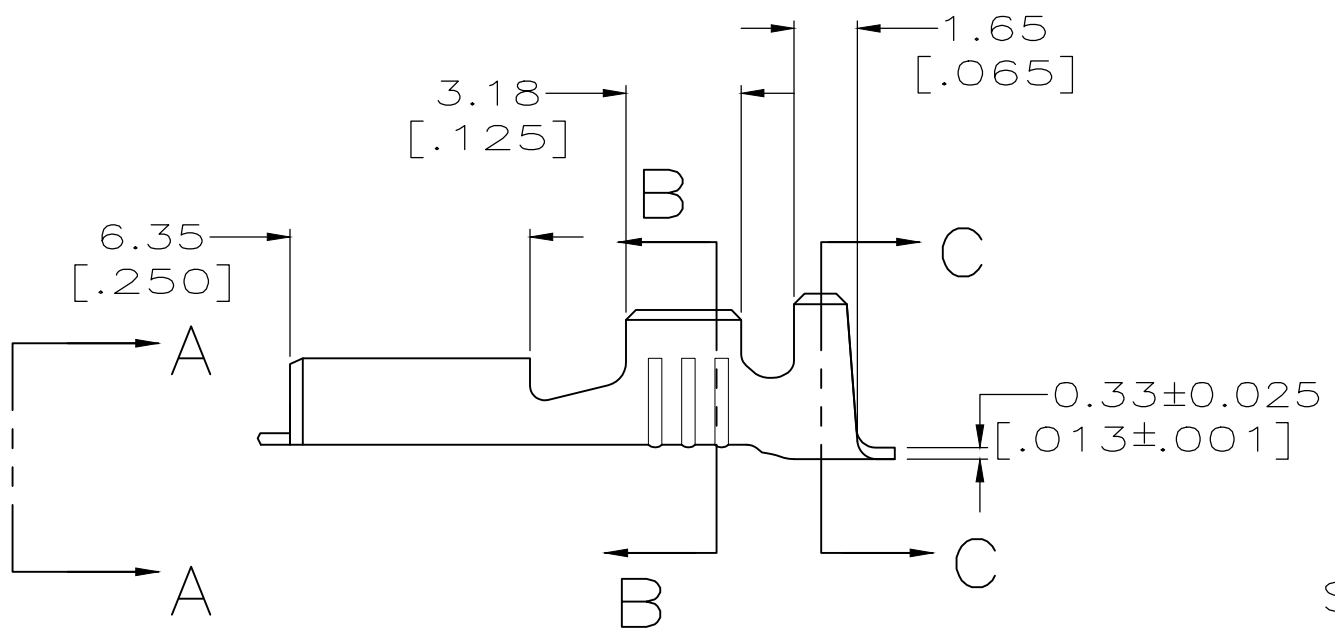
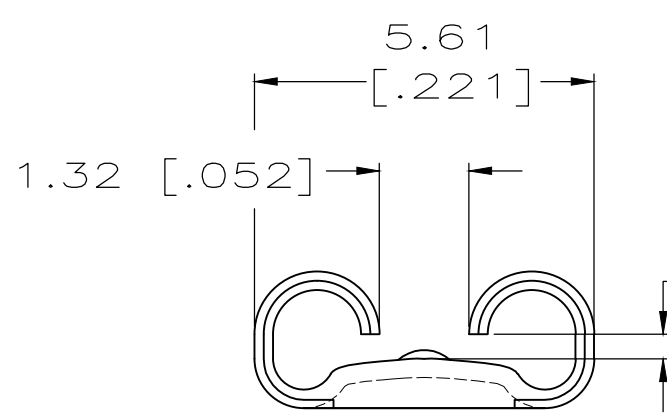
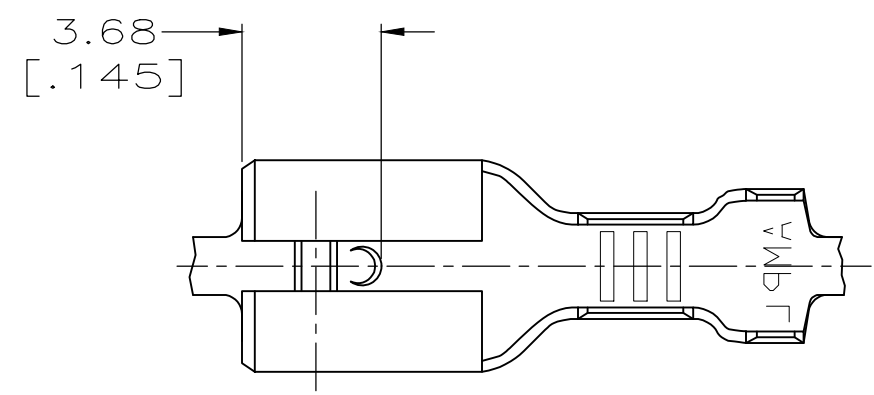


THIS DRAWING IS UNPUBLISHED. RELEASED FOR PUBLICATION  
 © COPYRIGHT - By - ALL RIGHTS RESERVED.

| LOC | DIST | REVISIONS   |                           |          |          |
|-----|------|-------------|---------------------------|----------|----------|
| P   | LTR  | DESCRIPTION | DATE                      | DWN      | APVD     |
| AF  | 50   | H1          | REVISED PER ECR-20-009164 | 3AUG2020 | MK<br>DH |

- ACCEPTS WIRE SIZE [#20-#16] AWG.
- INSULATION RANGE IS 2.29-3.30 [.090-.130] DIA.
- CONTINUOUS STRIP ON REELS.



|        |                          |             |
|--------|--------------------------|-------------|
| TIN    | 0.53-0.48<br>[.021-.019] | 63475-2     |
| -      |                          | 63475-1     |
| FINISH | MATING TAB THICKNESS     | PART NUMBER |

|   |                     |                              |  |                    |                       |
|---|---------------------|------------------------------|--|--------------------|-----------------------|
| THIS DRAWING IS A CONTROLLED DOCUMENT.  |                     | DWN<br>JR RUTH<br>11/9/87    | <b>STE</b> TE Connectivity                             |                    |                       |
| DIMENSIONS:<br>mm [INCHES]  |                     | CHK<br>G YETTER<br>11/10/87  |  |                    |                       |
| TOLERANCES UNLESS OTHERWISE SPECIFIED:  |                     | APVD<br>C MEYERS<br>11/10/87 | NAME<br>RECEPTACLE, LIF, FASTON,<br>4.75 [.187] SERIES |                    |                       |
| 0 PLC ± -<br>1 PLC ± -<br>2 PLC ± 0.25 [.010]<br>3 PLC ± -<br>4 PLC ± -<br>ANGLES ± - |                     | PRODUCT SPEC<br>-            | SIZE<br>A3   | CAGE CODE<br>00779 | DRAWING NO<br>C-63475 |
| MATERIAL<br>BRASS   | FINISH<br>SEE TABLE | APPLICATION SPEC<br>-        | RESTRICTED TO<br>-                                     | CUSTOMER DRAWING   |                       |
|   |                     |                              | SCALE<br>5:1   | SHEET<br>1 OF 1    | REV<br>H1             |