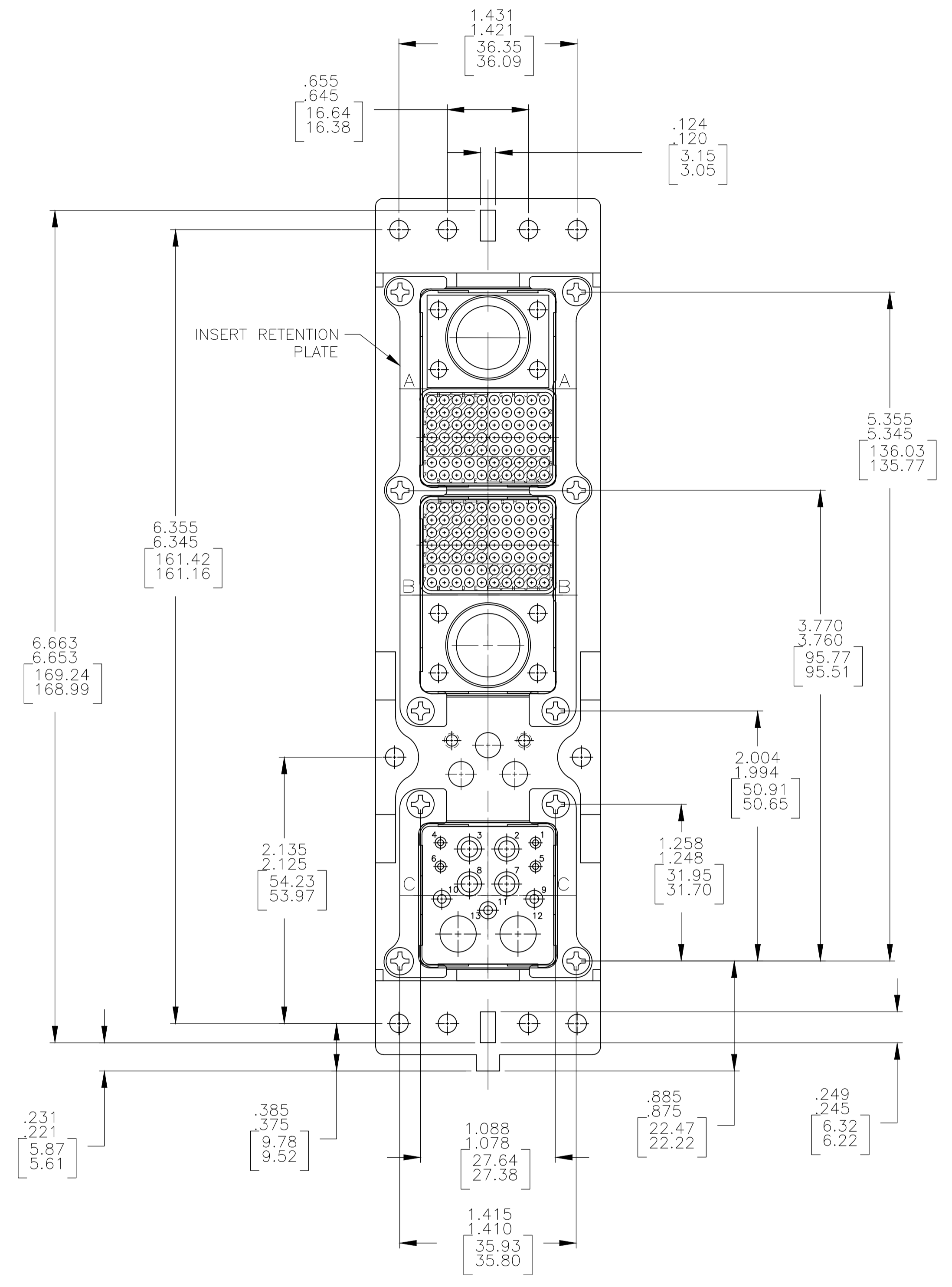
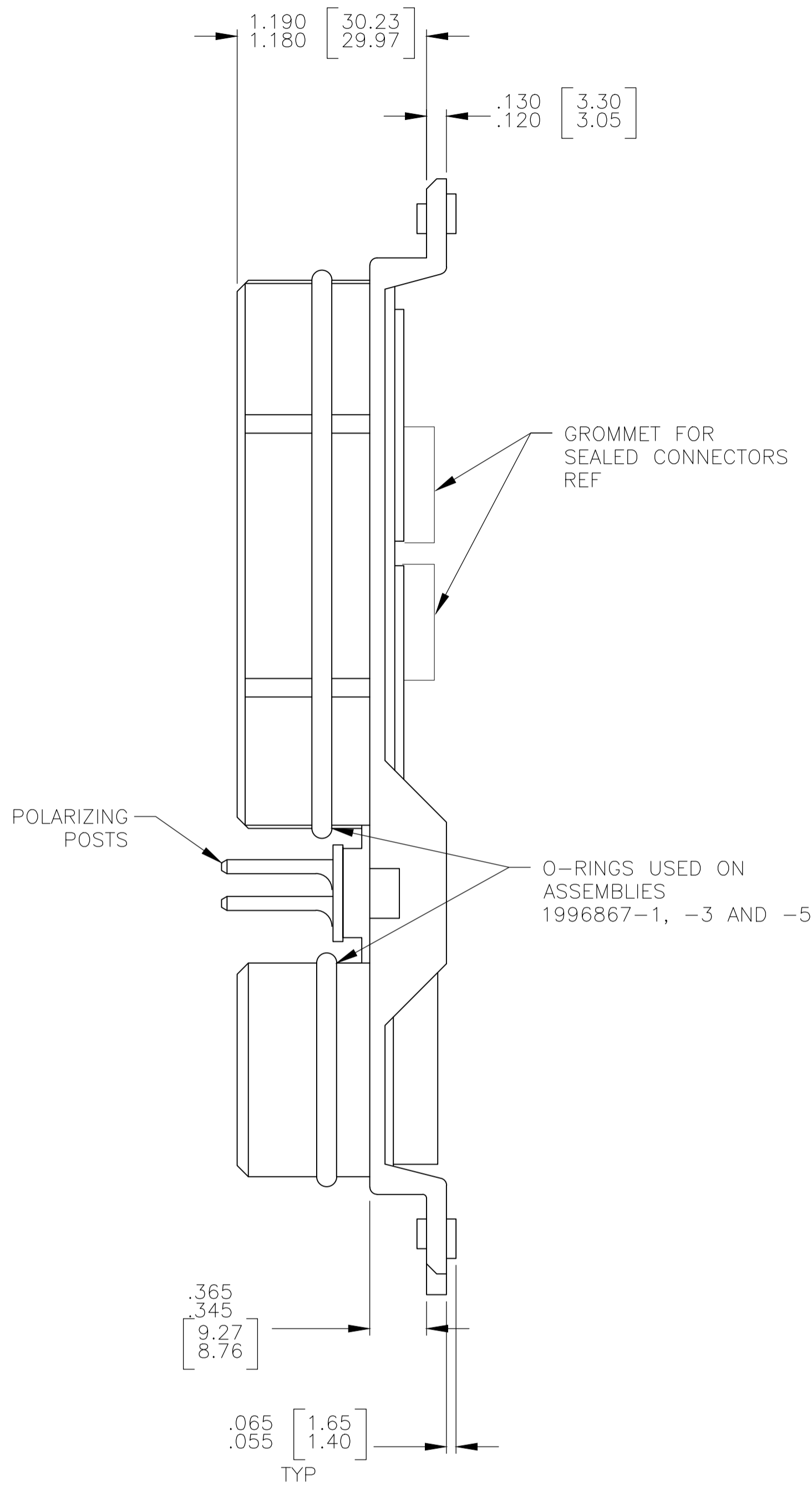
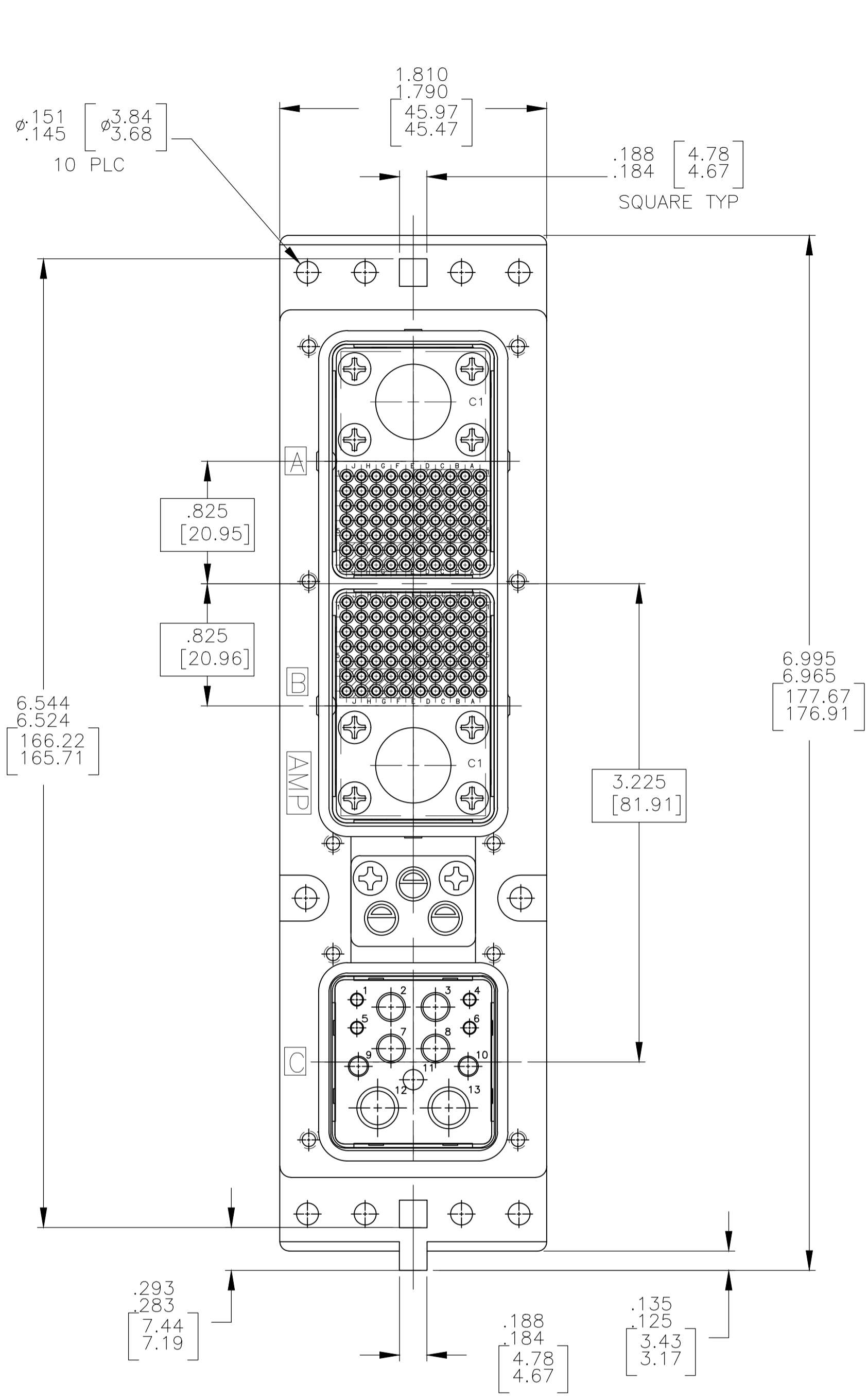


REVISIONS					
P	LTR	DESCRIPTION	DATE	DMN	APVD
E		REVISED PER ECO-17-018523	19JAN2018	PHM	CT



- CONNECTOR DIMENSIONS ARE PER ARINC 600 SPECIFICATION
- DUST COVER IS INCLUDED AND INSTALLED FOR SHIPPING. (NOT SHOWN)
- KEYING SHOWN IN POSITION "01" FOR REFERENCE ONLY. SEE TABLE FOR KEYING POSITION. FOR POSITION "00" KEYING SHIPPED UNASSEMBLED.

COMPONENT	MATERIAL	FINISH		
SHELL	DIE CAST ALUMINUM PER ASTM-B-85	CHROMATE CONVERSION PER MIL-C-5541, TYPE II, CLASS 3		
RETENTION PLATES	ALUMINUM ALLOY PER ASTM-B-209	CHROMATE CONVERSION PER MIL-C-5541, TYPE II, CLASS 3		
SCREWS	STEEL OR STAINLESS STEEL	STAINLESS STEEL OR PASSIVATED		
POLARIZING POSTS	ZINC ALLOY PER ASTM-B-86	ELECTROLESS NICKEL PER MIL-C-26074 CLASS 4, GRADE B		
POLARIZING POST RETAINING PLATE	ALUMINUM ALLOY PER ASTM-B-209	BLUE ANODIZED PER MIL-A-8625		
ALL INSERTS	THERMOSET	-		

NIC NUMBER	DESCRIPTION	KEYING POSITION	PART NUMBER
NIC66H20B00AA1	SEALED	00	1996867-5
NIC66H20A08AA1	UNSEALED	08	1996867-4
NIC66H20B08AA1	SEALED	08	1996867-3
NIC66H20A18AA1	UNSEALED	18	1996867-2
NIC66H20B18AA1	SEALED	18	1996867-1

THIS DRAWING IS A CONTROLLED DOCUMENT. DIMENSIONING AND TOLERANCING PER ASME Y14.5M (ISO STANDARDS)		DMN C.C.THOMAS 7-17-08	 TE Connectivity Ltd.
DIMENSIONS: INCHES		CHK K.THACKSTON 7-17-08	
TOLERANCES UNLESS OTHERWISE SPECIFIED:		APVD K.THACKSTON 7-17-08	
0 PLC	± .005	NAME PLUG ASSY, SIZE 2, ARINC 600, (71C1A/71C1/13C2)	
1 PLC	± .005	APPLICATION SPEC	
2 PLC	± .005	SIZE A1	
3 PLC	± .005	CAGE CODE 00779	
4 PLC	± .005	DRAWING NO. 1996867	
ANGLES	± .005	WEIGHT	
MATERIAL SEE TABLE	FINISH SEE TABLE	CUSTOMER DRAWING	
		SCALE 3:2	SHEET 1 OF 1
		REV E	