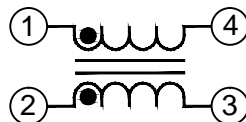
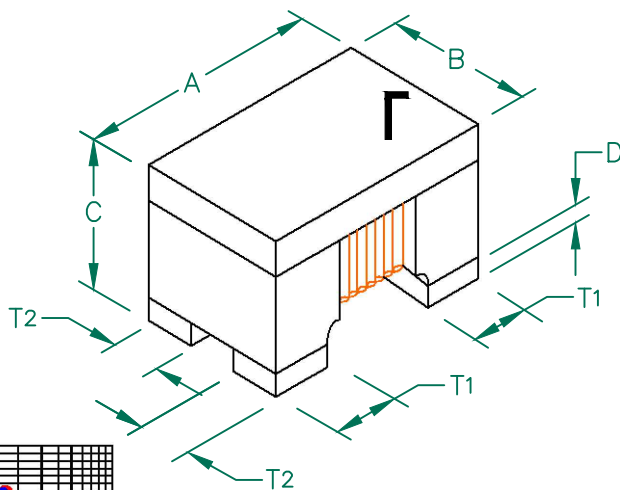


CM0805C181R-10

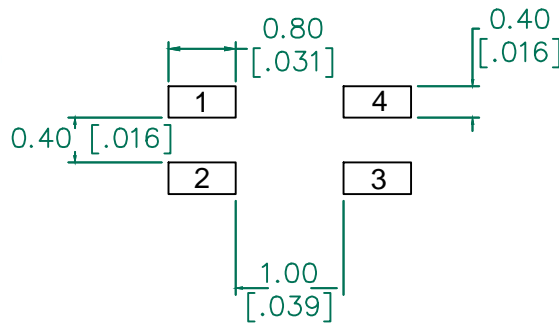
PHYSICAL DIMENSIONS:

A	2.00 [.079]	+ 0.20 [.008]
B	1.20 [.047]	+ 0.20 [.008]
C	1.20 [.047]	+ 0.20 [.008]
D	0.15 [.006]	+ 0.10 [.004]

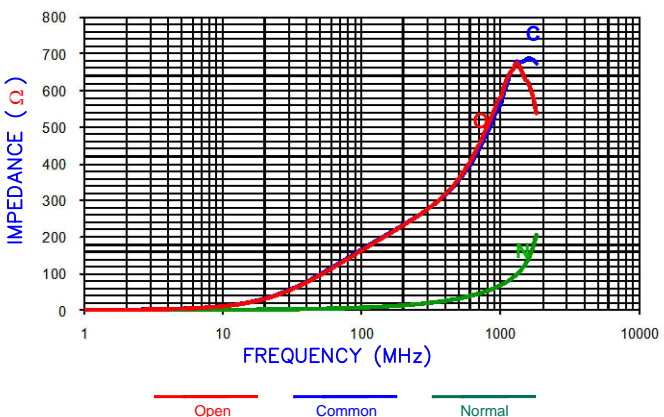
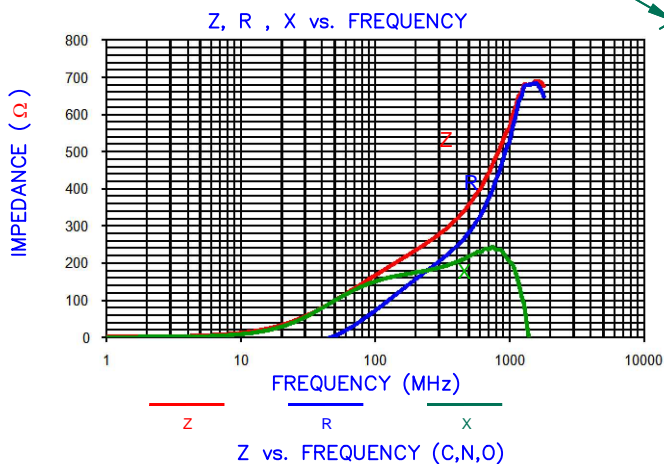
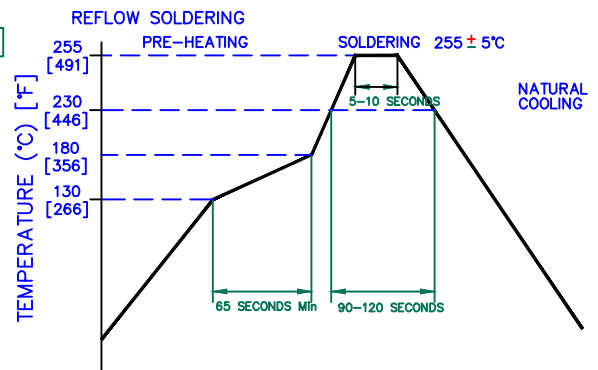
T1	0.45 [.018]	+ 0.10 [.004]
T2	0.40 [.016]	+ 0.10 [.004]



LAND PATTERNS FOR REFLOW SOLDERING



RECOMMENDED SOLDERING CONDITIONS



RoHS

Electrical Characteristics		Nominal	Min	Max
Common Mode Impedance @ 100MHz	(Ω)	180	135	225
DCR	(Ω)	-	-	0.35
Rated Current	(mA)	-	-	330

NOTES: UNLESS OTHERWISE SPECIFIED

1. TAPED AND REELED per CURRENT EIA SPECIFICATIONS 7" REELS, EMBOSSED PLASTIC TAPE 2,000 PCS/REEL.
2. TERMINATION FINISH 100% MATTE TIN.
3. COMPONENTS SHOULD BE ADEQUATELY PREHEATED BEFORE SOLDERING.
4. OPERATING TEMP. RANGE: -40°C~+125°C. (INCLUDING SELF-HEATING)
5. COSMETIC SPECIFICATION REFER TO WI-QA-124.

DIMENSIONS ARE IN mm [INCHES].				This print is the property of Laird Tech. and is loaned in confidence subject to return upon request and with the understanding that no copies shall be made without the written consent of Laird Tech. All rights to design or invention are reserved.			
PROJECT/PART NUMBER:				Laird			
CM0805C181R-10				REV	PART TYPE:	DRAWN BY:	
B				B	CM CHOKE	YUKI	
A				DATE:	SCALE:	MATERIAL:	
ORIGINAL DRAFT				03/01/11	NTS		
REV				DESCRIPTION	DATE	INT	TOOL #
				08/05/13	YUKI	CM0805C181R-10-B	1 of 1