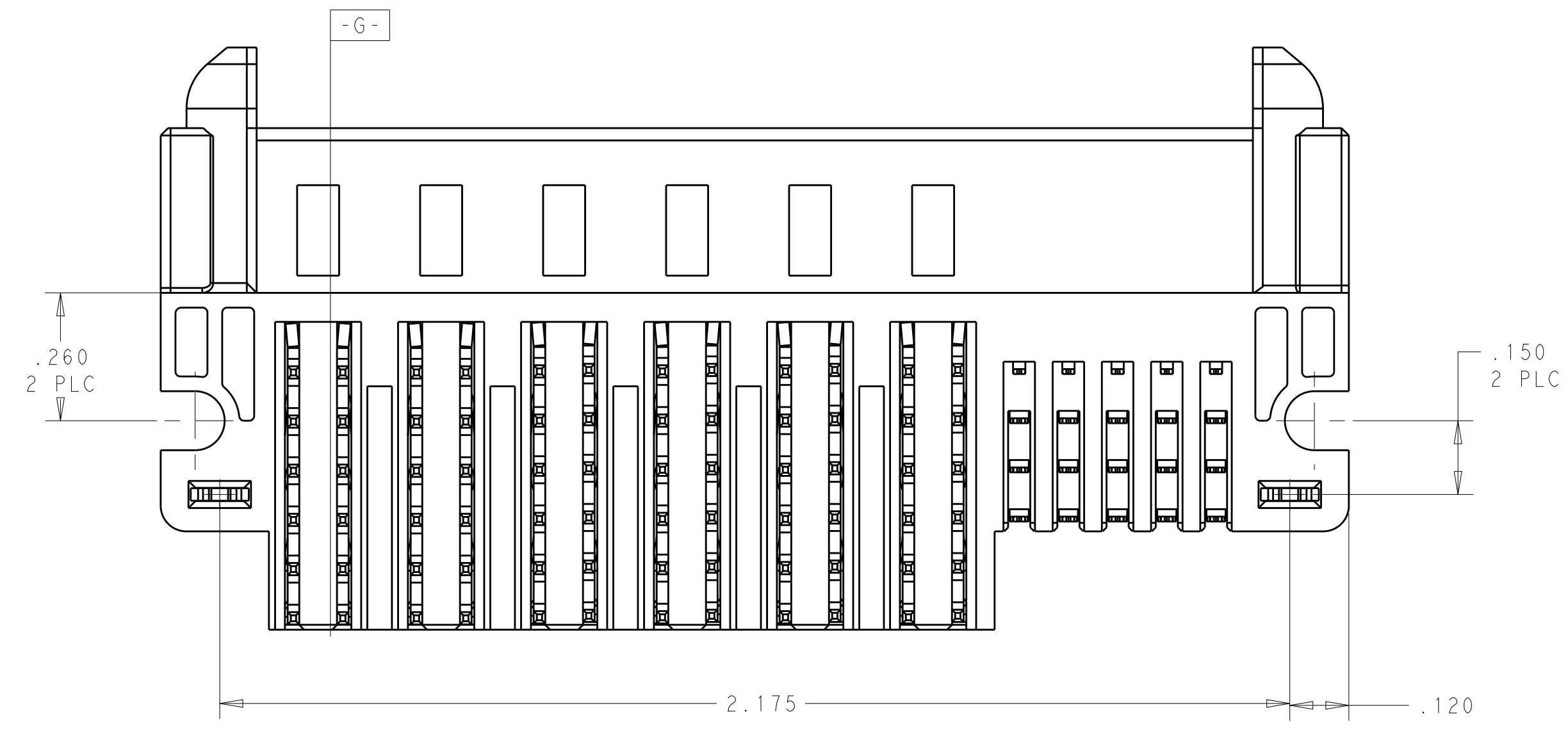
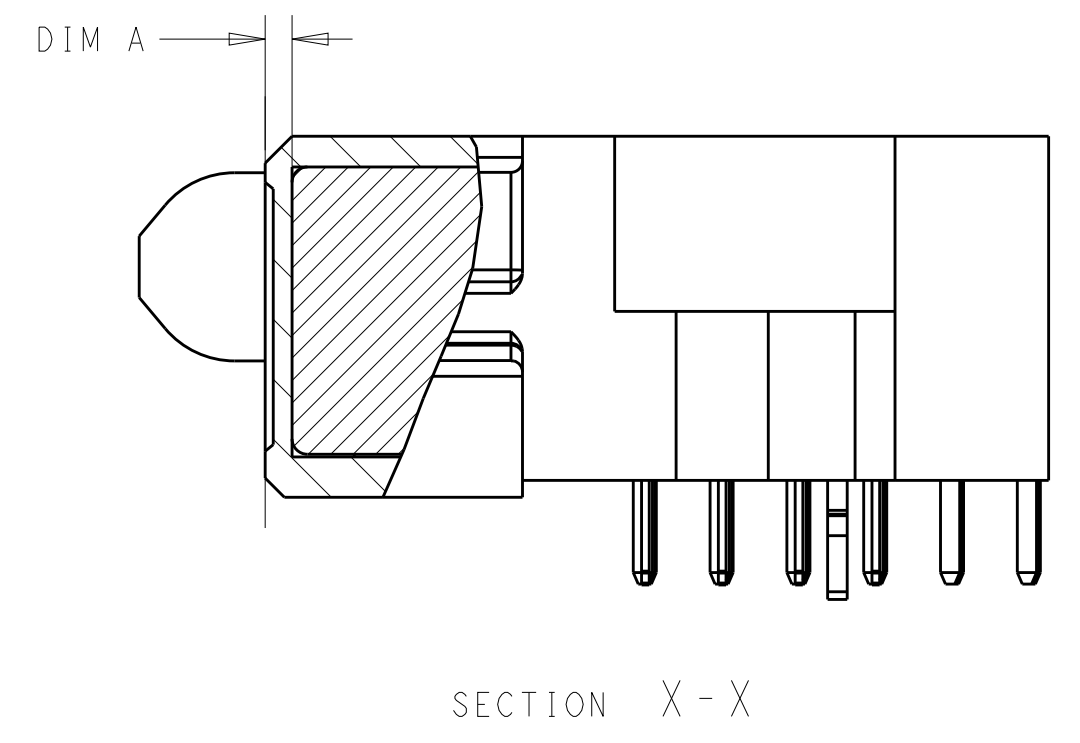
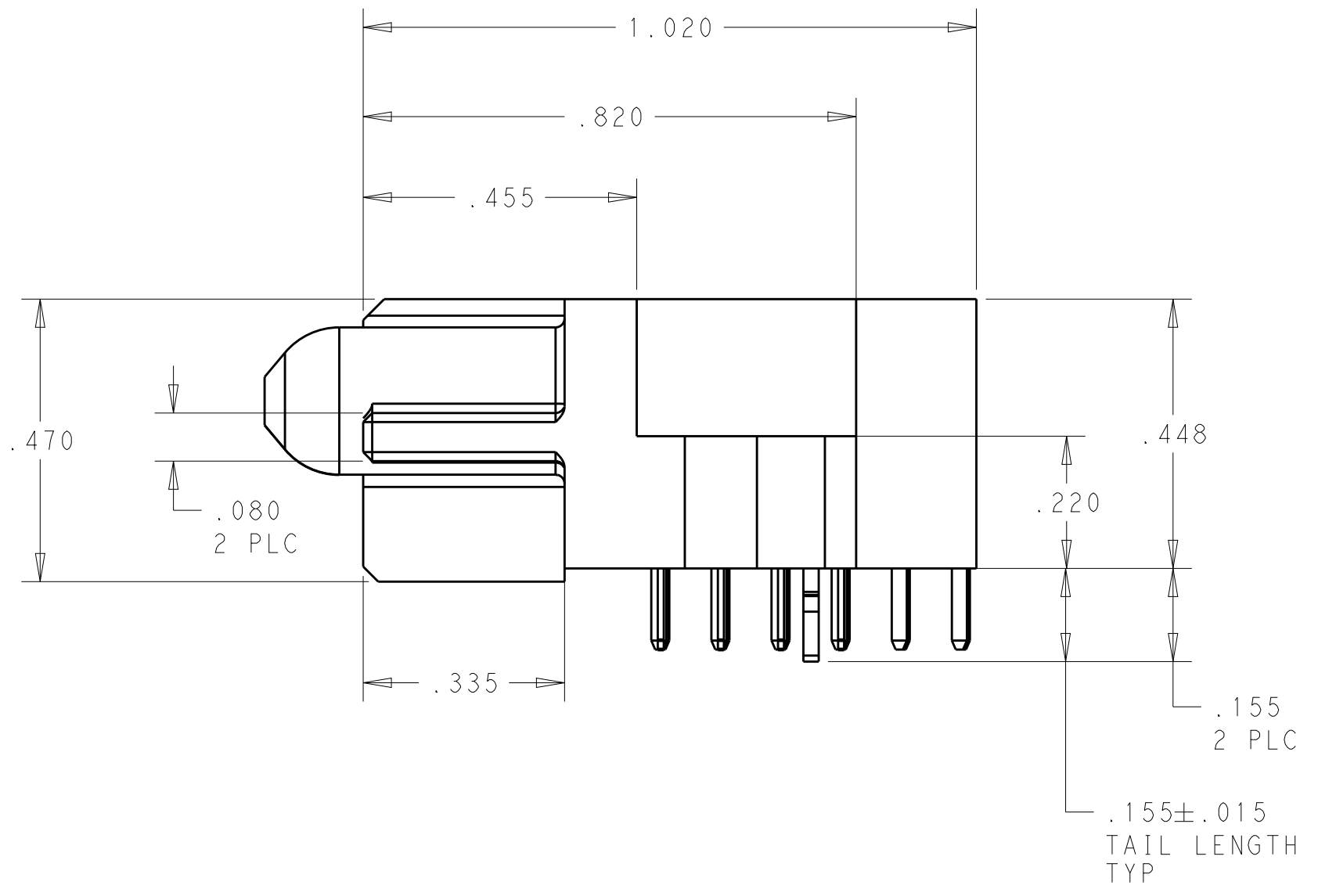
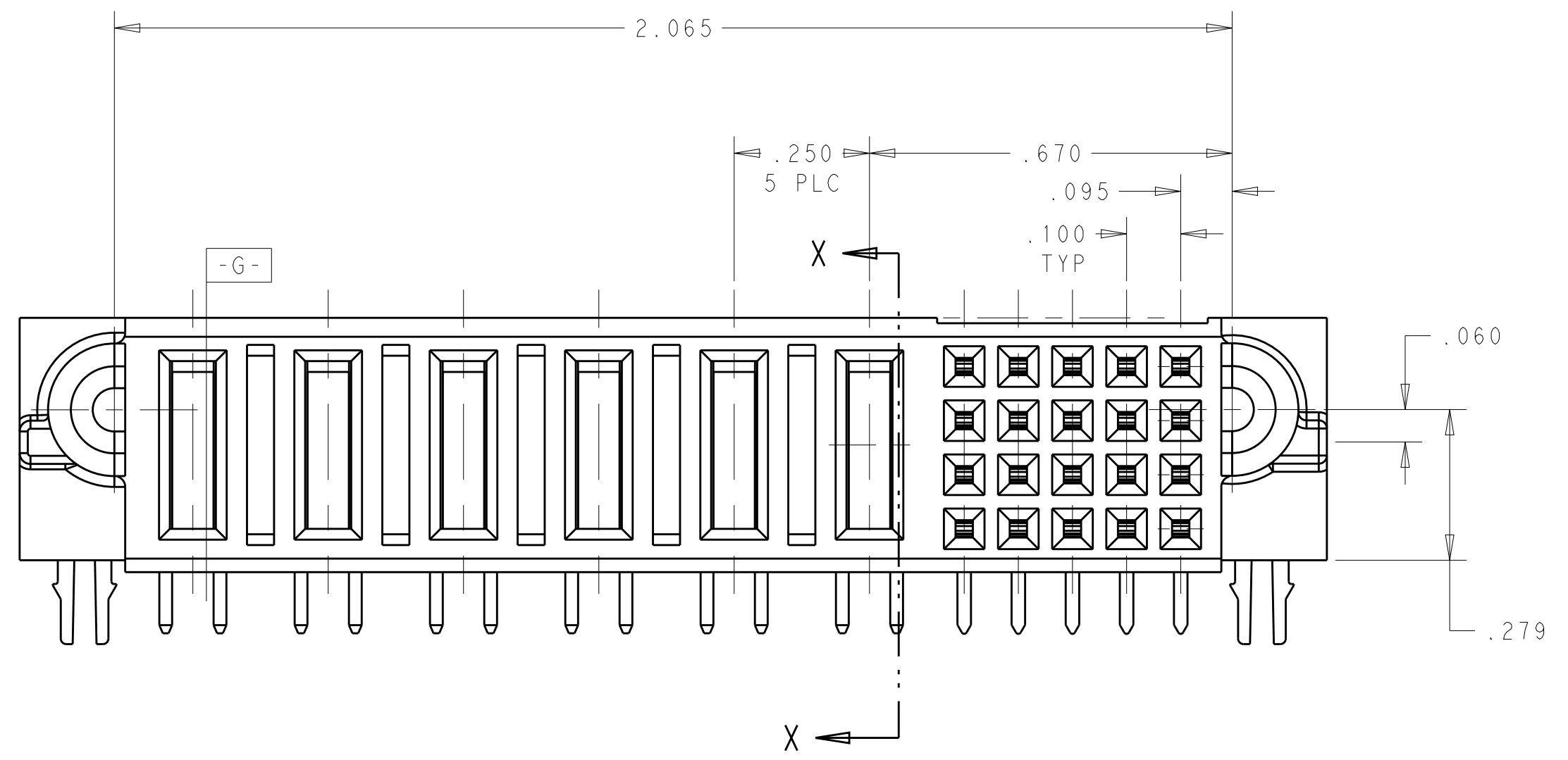
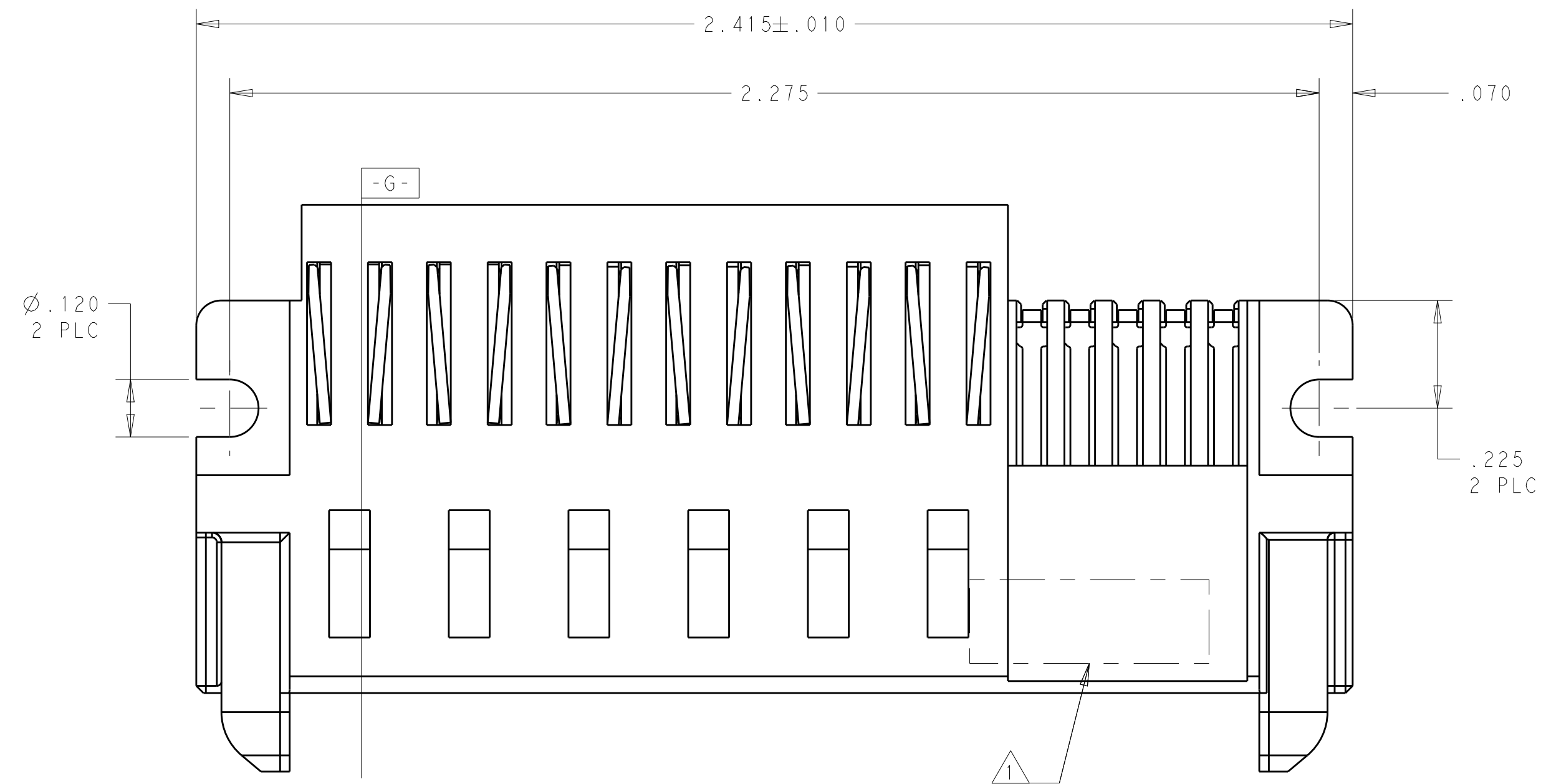


REVISIONS				
P.	LTN	DESCRIPTION	DATE	OWN APVD
5		REVISED PCB LAYOUT	04NOV2018	CZ SZ
A		REV PER ECR-19-013892	06SEP2019	CZ SZ



- 1 "TE", PART NUMBER, AND DATECODE TO BE MARKED IN AREA SHOWN. PARTS UNDER 2.00 LONG MAY BE MARKED ON BOTH SIDES.
- 2 MATERIAL:
HOUSING - GLASS FILLED HIGH TEMP THERMO PLASTIC, BLACK, UL94 V-0
SIGNAL CONTACT - COPPER ALLOY
POWER CONTACT - HIGH CONDUCTIVITY COPPER ALLOY
- 3 CONTACT PLATING: NOBLE METAL PLATING ON CONTACT FUNCTIONAL AREA OF POWER AND SIGNAL CONTACTS.
- 4 MECHANICAL CONNECTOR KEEP OUT ZONE.
- 5 DATUM AND BASIC DIMENSIONS ESTABLISHED BY CUSTOMER.
- 6 PCB - HOLE DIAMETERS ARE FINISHED HOLE SIZE.
- 7 PCB - .0453±.0010 DRILLED HOLES PLATED WITH .0003 MIN Sn OVER .001 TO .003 Cu PLATING TO ACHIEVE A .040 ±.003 HOLE.

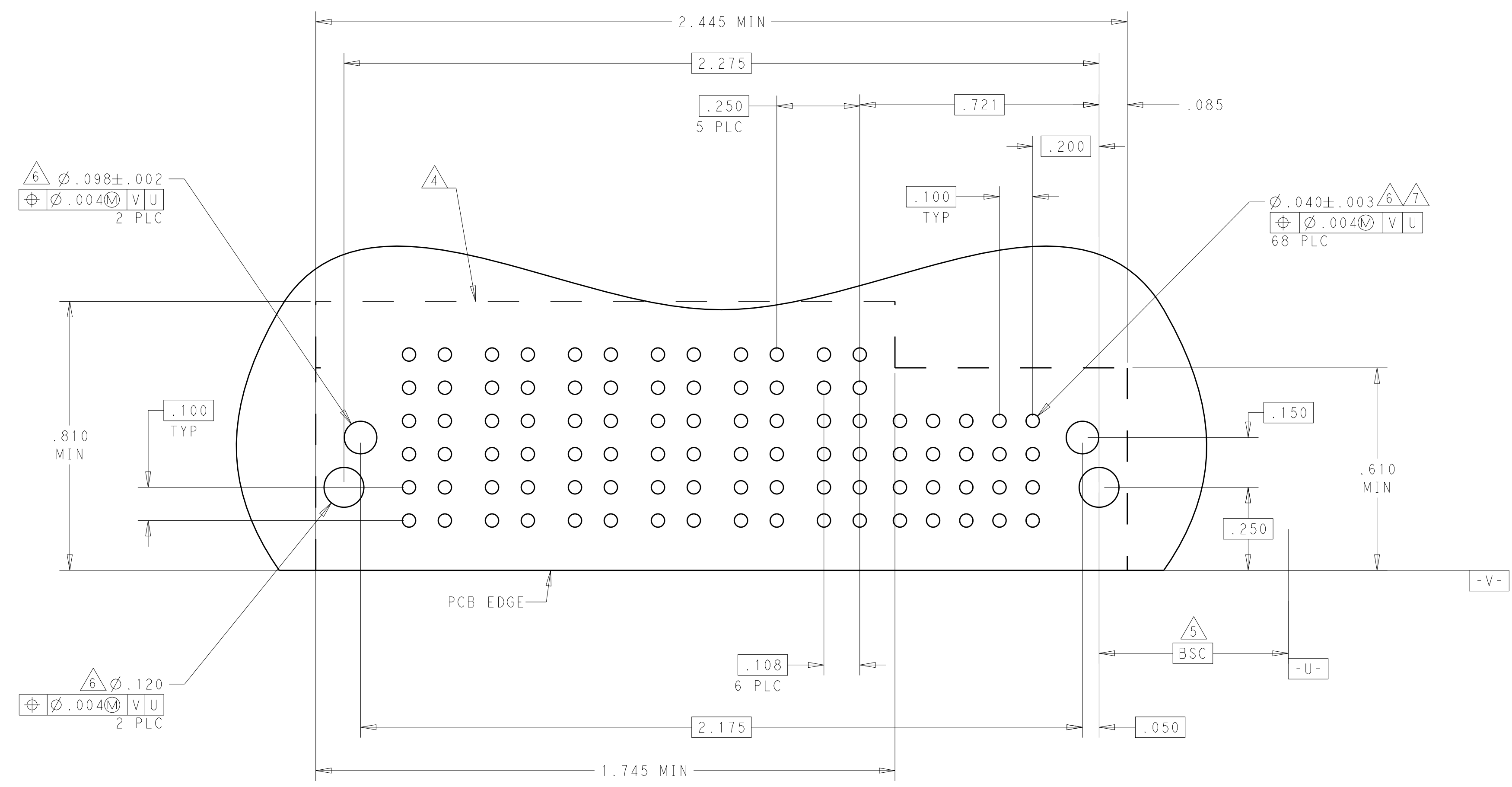
20S+6P	2343045-1
DESCRIPTION	PART NUMBER

THIS DRAWING IS A CONTROLLED DOCUMENT.		DWN C. ZHOU 09OCT2018	TE Connectivity NAME RIGHT ANGLE RECEPTACLE ASSEMBLY SOLDER	
DIMENSIONS: INCHES		CHK C. ZHOU 09OCT2018		
TOLERANCES UNLESS OTHERWISE SPECIFIED:		APVD S. ZHAO 09OCT2018	PRODUCT SPEC	
0 PLC ±		108-2292		
1 PLC ±		APPLICATION SPEC		
2 PLC ±		114-13251		
3 PLC ±0.010		WEIGHT		
4 PLC ±		CUSTOMER DRAWING		
ANGLES ±		SCALE 4:1 SHEET 1 OF 2 REV A		
FINISH ±		SIZE CAGE CODE DRAWING NO		
MATERIAL		A100779C=2343045-1		

REVISIONS				
P.	LTN	DESCRIPTION	DATE	APVD
-	-	SEE SHEET 1	-	-

PART NUMBER	ROWS	POWER					SIGNAL					
		P6	P5	P4	P3	P2	P1	5	4	3	2	1
2343045-1	D							H	H	H	H	H
	C							G	G	G	G	G
	B							F	F	F	F	F
	A	HD						E	E	E	E	E

20S+6P



RECOMMENDED PCB LAYOUT

.078	STD SOLDER POWER CONTACT, .135 TAIL LENGTH	RM
-	STD SOLDER SIGNAL CONTACT, .135 TAIL LENGTH, ROW D	H
-	STD SOLDER SIGNAL CONTACT, .135 TAIL LENGTH, ROW C	G
-	STD SOLDER SIGNAL CONTACT, .135 TAIL LENGTH, ROW B	F
-	STD SOLDER SIGNAL CONTACT, .135 TAIL LENGTH, ROW A	E
.035	MFBL SOLDER POWER CONTACT, .135 TAIL LENGTH	RA
-	HOLD DOWN, MULTI-BEAM	HD
DIM A	DESCRIPTION	IDENTIFIER

THIS DRAWING IS A CONTROLLED DOCUMENT.		DWN C. ZHOU 09OCT2018	TE Connectivity
DIMENSIONS: INCHES		CHK C. ZHOU 09OCT2018	
TOLERANCES UNLESS OTHERWISE SPECIFIED:		APVD S. ZHAO 09OCT2018	NAME RIGHT ANGLE RECEPTACLE ASSEMBLY SOLDER
0 PLC ±. 1 PLC ±. 2 PLC ±. 3 PLC ±.005 4 PLC ±.0020 ANGLES ±.2°		PRODUCT SPEC 108-2292	SIZE A100779
MATERIAL: 2		APPLICATION SPEC 114-13251	DRAWING NO C=2343045-1
FINISH: 3		WEIGHT	RESTRICTED TO
CUSTOMER DRAWING		SCALE 4:1	SHEET 2 OF 2 REV A