



**ANATECH ELECTRONICS INC**  
RF & Microwave Filters & Products

## 500 MHz LC Band Pass Filter

Part Number: AE500B6194



### Electrical Specifications

**Center Frequency:** 500 MHz  
**Passband:** 400-600 MHz  
**Insertion Loss:** 3.0dB Max.  
**Return Loss:** 14dB Min.  
**Rejection:**  $\geq 45\text{dB}$  @ 200 MHz  
**Rejection2:**  $\geq 45\text{dB}$  @ 800-4000 MHz

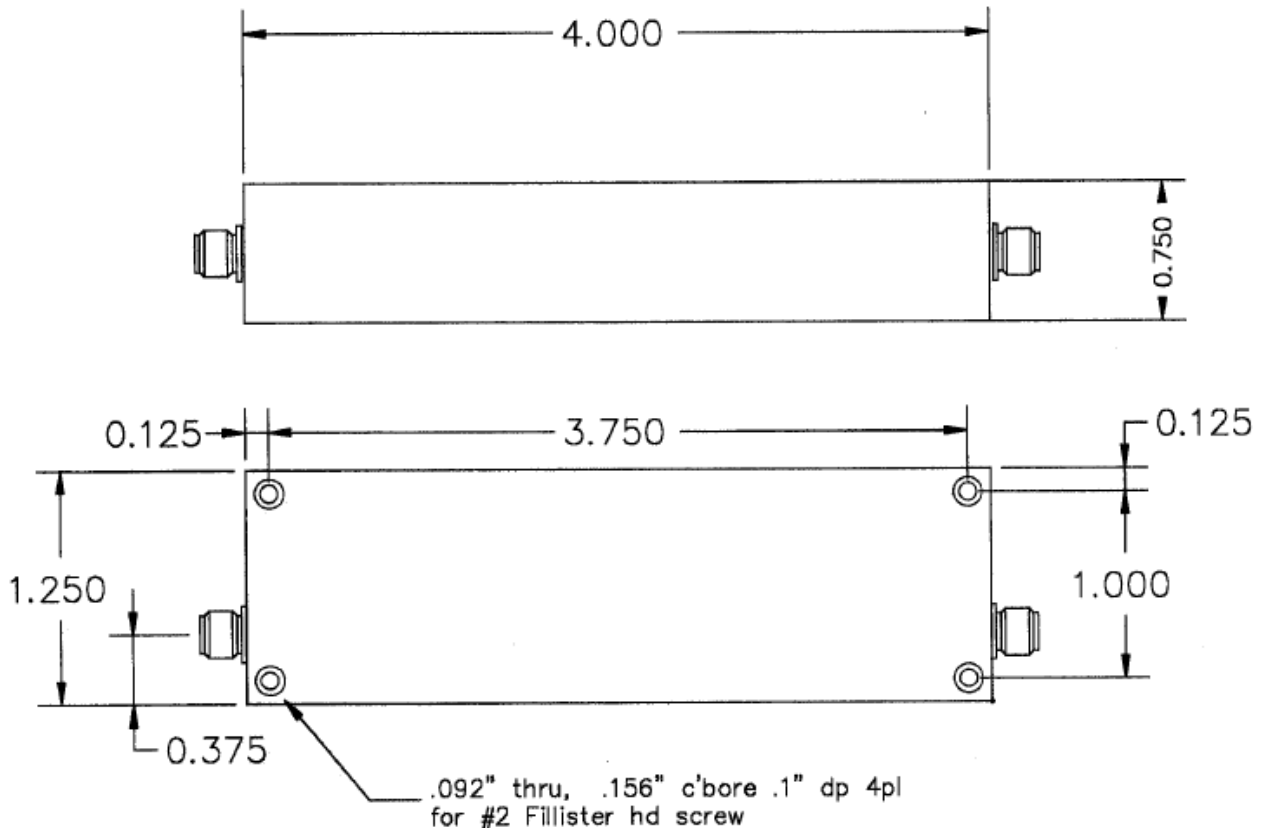
### Mechanical

**Mounting Method:** Through Holes  
**Connector Type:** SMA(F)  
**Dimensions:** 4.0" X 1.25" x 0.75" .

### Environmental

**Operating Temperature:** -25°C to +70°C  
**Storage Temperature:** -40°C to +90°C  
**Shock:** 10 G. 11ms  
**Vibration:** 10 G. 5 to 200Hz

### Outline Drawing:





**ANATECH ELECTRONICS INC**  
RF & Microwave Filters & Products

# 500 MHz LC Band Pass Filter

Part Number: AE500B6194



## Response Plot:

